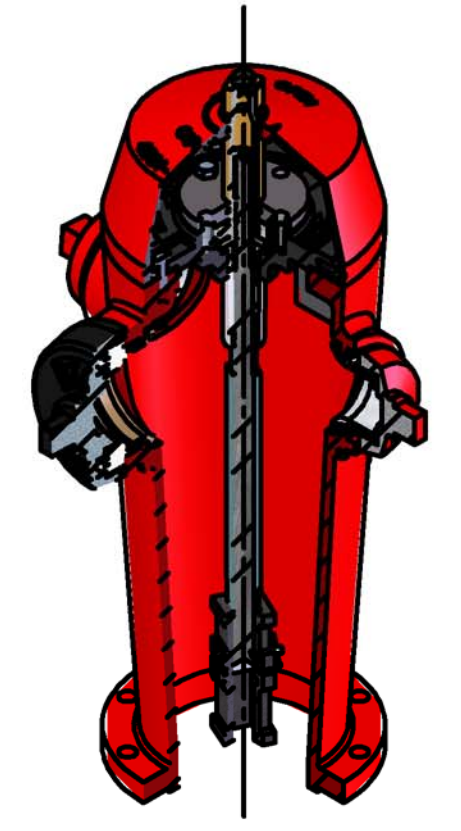
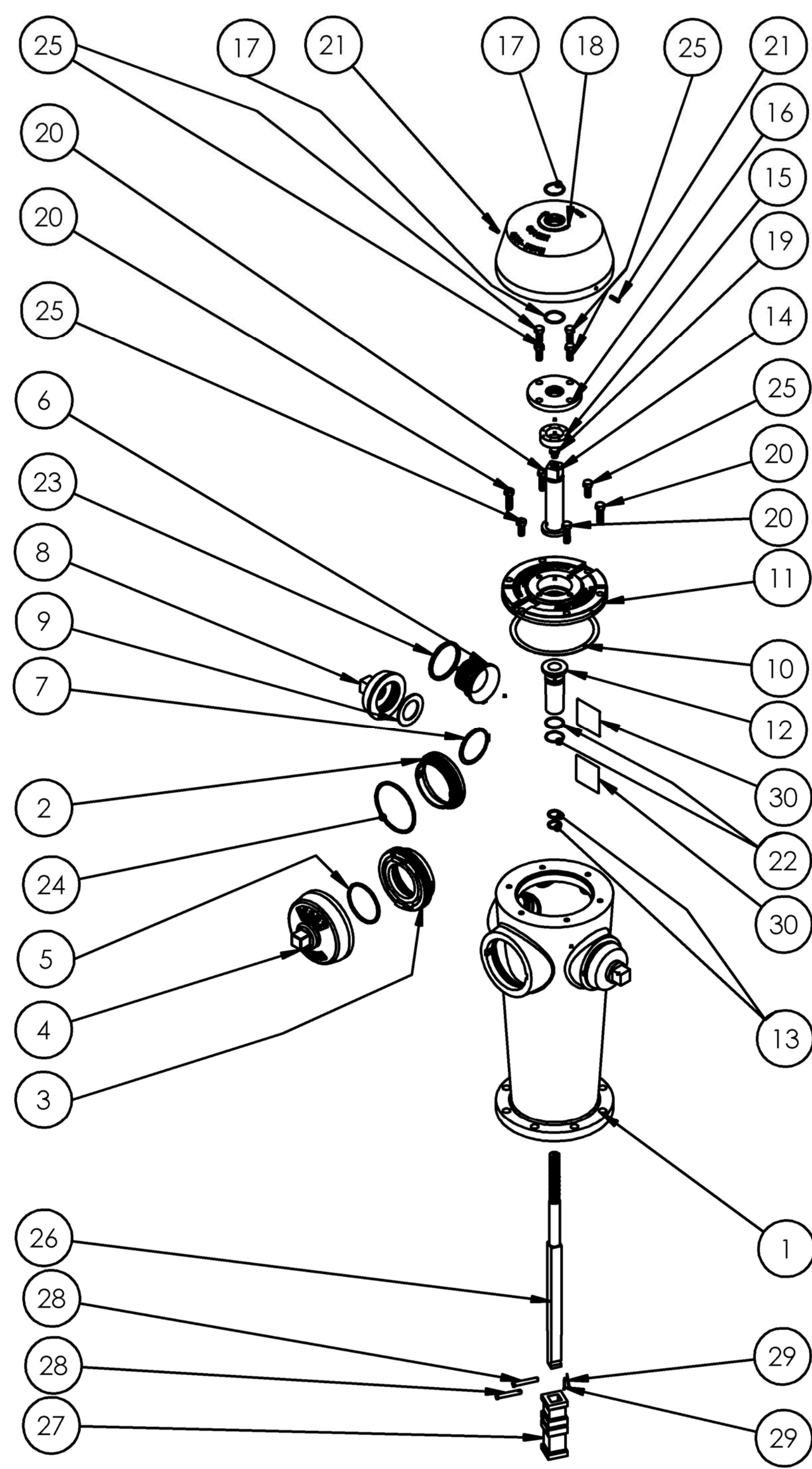
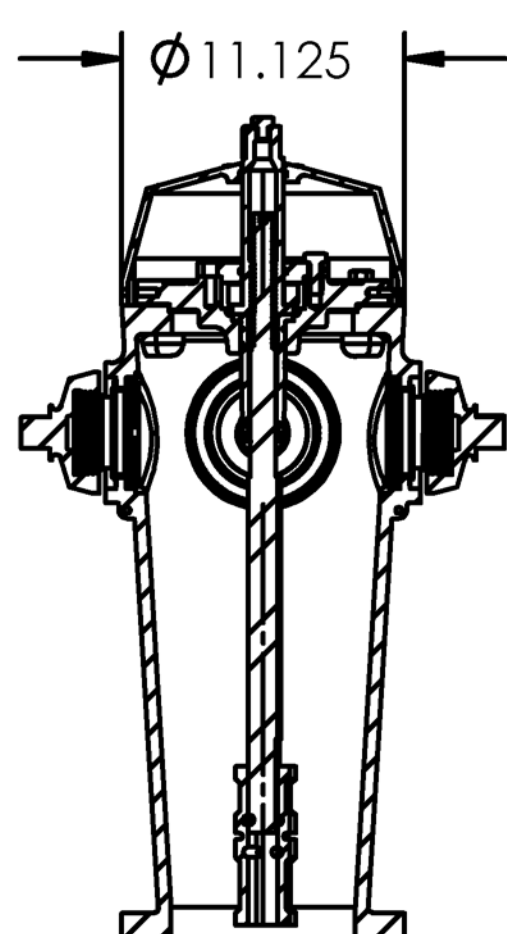
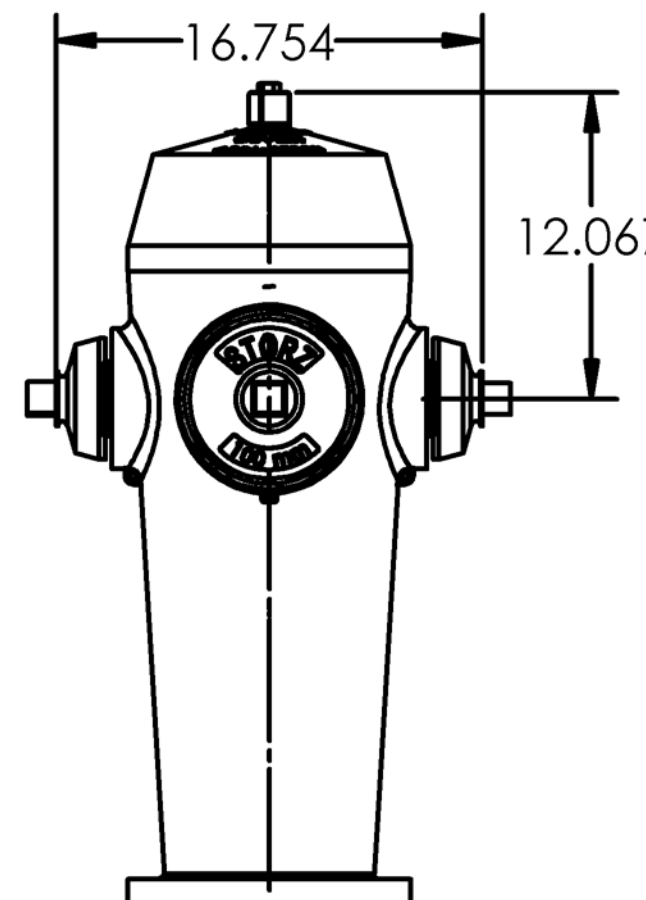
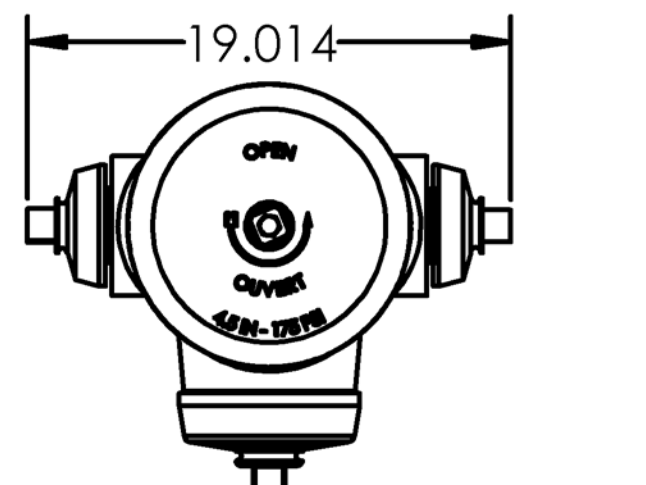


ITEM NO.	CATALOG#	PART #	DESCRIPTION	QTY
1	18-9	VARIES	CENTURY UPPER BARREL	1
2	25-4	303364	PUMPER NOZZLE RETAINER	1
3	25-3	VARIES	PUMPER NOZZLE	1
4	26-1	VARIES	PUMPER CAP	1
5	27	VARIES	PUMPER CAP O-RING	1
6	20-1	VARIES	HOSE NOZZLE	2
7	20-2	258784	HOSE NOZZLE RETAINING RING	2
8	21-1	VARIES	HOSE CAP	2
9	22	1805	HOSE CAP GASKET	2
10	14	604	BEARING HOUSING GASKET	1
11	15-2	372586	BEARING HOUSING	1
12	15-2A	372816	UPPER ROD SLEEVE	1
13	2-2	194572	O-RING	2
14	1	VARIES	OPERATING NUT	1
15	4-1	364378	THRUST BEARING	1
16	9-1	132	BEARING HOUSING COVER	1
17	2-1	2000001615	BONNET & HOUSING COVER O-RING 223	2
18	7-5	205	4.5" OPEN LEFT BONNET	1
19	3	234427	LUBE SCREW	1
20	16-3	45330	HOUSING COVER CAP SCREW LONG	4
21	47-1	218243	BONNET RETAINING PIN	2
22	15-2B	373130	O-RING	2
23	20-3	258792	HYDRANT NOZZLE GASKET	2
24	25-5	195956	PUMPER NOZZLE SEAL	1
25	16-2	45314	HOUSING COVER CAP SCREW SHORT	6
26	30-5-1	265543	UPPER ROD	1
27	30-51 T	282383	BREAKABLE ROD COUPLING	1
28	30-51-2T	305456	ROD COUPLING CLEVIS PIN	2
29	30-51-2A	195235	COTTER PIN	2

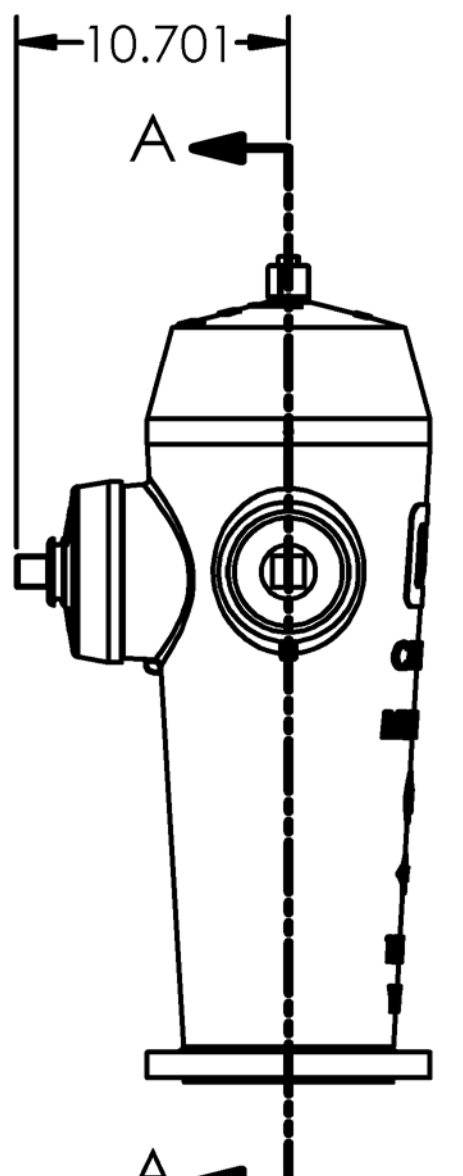


SECTION C-C
 SCALE 1 : 8



SECTION A-A

UL/FM APPROVED
 175 PSI WORKING PRESSURE - 350 PSI TEST



PROJECT	REV.	DESCRIPTION	REVISED	APPROVED	DATE
02-05-02	B	REVISE PT# ITEM# 5,2-1,3,25-5,30-51-2A	AMY CASSELS		2/27/2014
	A	INITIAL RELEASE	Wade Le Grand		6/8/2005

NOTICE
 By receiving this drawing the recipient agrees the drawing and its contents remain the sole property of Mueller Canada, is received in confidence, will be returned on demand, and will not be reproduced or used to our detriment.

MUELLER CANADA

Mueller Canada

UNLESS SPECIFIED
 XXX ±.005
 XX ±.015
 ANGLES ± 0.5°

SURFACE FINISH
 CAST IRON 250
 BRASS 125

THIRD ANGLE PROJECTION

DRAWING PATH: F:\Canada Backup\VaultData\projects\02-05-02\latest\HYD-CEN-UP_rev-B.SLDRW

DRAWING SCALE: 1:1
 DRAWING SIZE: C

MATERIAL: ASSEMBLY
 SEE DETAIL DRAWINGS

WEIGHT: 210 lbs.

DESCRIPTION: CANADA VALVE CENTURY FIRE HYDRANT UPPER BARREL WITH INTERNALS SUBASSEMBLY

PART NO.: VARIES
 DRAWING NO.: HYD-CEN-UP