

A-2361 Resilient Wedge Gate Valve

14" – 24"/DN350 – DN600




PRODUCT FEATURES

- Non-Rising Stem (NRS).
- Meets requirements of AWWA C515 and is certified to ANSI/NSF 61 & 372.
- 2" square Operating Nut (optional Handwheel).
- 14" – 24"/DN350 – DN600. Larger valves through 54"/DN1350 also available.
- All Ductile Iron Body and Bonnet.
- Fusion Bonded Mueller Pro-Gard® Epoxy Coating – 10 mil (250 μ) nominal, meets requirements of AWWA C550.
- Manganese Bronze Stem.
- Antifriction washer above and below thrust collar.
- Iron Wedge, symmetrical and fully encapsulated with molded rubber; no exposed iron – acetal Caps on guides ease operation and avoid wear.
- 10-year limited warranty.
- Pressure rating: 14" & 16"/DN350 & DN400 AWWA/UL/FM rating 250psig/17barg; 18" – 24"/DN450 – DN600 AWWA rating 250psig/17barg, UL rating 175psig/12barg, FM approved 250psig/17barg.
- End connection: Flange ANSI B16.1 Class 125 Flat Face (PN16 available in sizes 14" & 16"/DN350 & DN400 only).

PARTS LIST

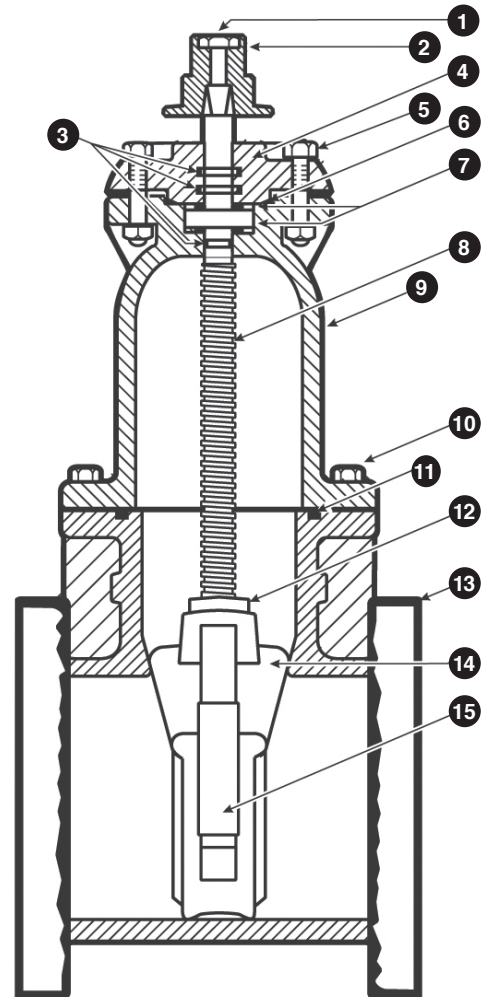
ID	PART NAME	MATERIAL
1	Wrench Nut	Cast Iron* ASTM A126 CL.B
2	Wrench Nut Cap Screw	Carbon Steel SAE J429 (See Note 3)
3	Stem O-Rings	Nitrile ASTM D2000 (See Note 1)
4	Stuffing Box	Ductile Iron ASTM A536**
5	Stuffing Bolts	Carbon Steel SAE J429 (See Note 3)
	Stuffing Nuts	Carbon Steel ASTM A563
6	Stuffing Box O-Ring	Nitrile ASTM D2000 (See Note 1)
7	Anti Friction Washers	Acetal
8	Stem	Bronze 14" & 16"/DN350 & DN400 ASTM B138 (C67600) 18" – 24"/DN450 – DN600 ASTM B584 (C86400)
9	Bonnet	Ductile Iron ASTM A536**
10	Bonnet Bolts	Carbon Steel SAE J429 (See Note 3)
	Bonnet Nuts	Carbon Steel ASTM A563 (See Note 3)
11	Bonnet O-Ring	Nitrile ASTM D2000 (See Note 1)
12	Stem Nut	Bronze ASTM B62
13	Body	Ductile Iron ASTM A536**
14	Wedge	Ductile Iron ASTM A536** (See Note 2)
15	Guide Cap Bearings	Acetal
16	Hand Wheel (not shown)	Cast Iron* ASTM A126 CL.B

*Manufacturers option to change to Ductile Iron ASTM A536.

**ASTM A536 Ductile Iron Grade 65-45-12 (minimum strength).

Notes:

1. 14" & 16"/DN350 & DN400 are Nitrile; 18" – 24"/DN450 – DN600 are EPDM.
2. Fully encapsulated in molded rubber with no iron exposed. 14" & 16"/DN350 & DN400 are SBR; 18" – 24"/DN450 – DN600 are EPDM.
3. 14" & 16"/DN350 & DN400 valves are provided with 316 Stainless Steel fasteners as standard.

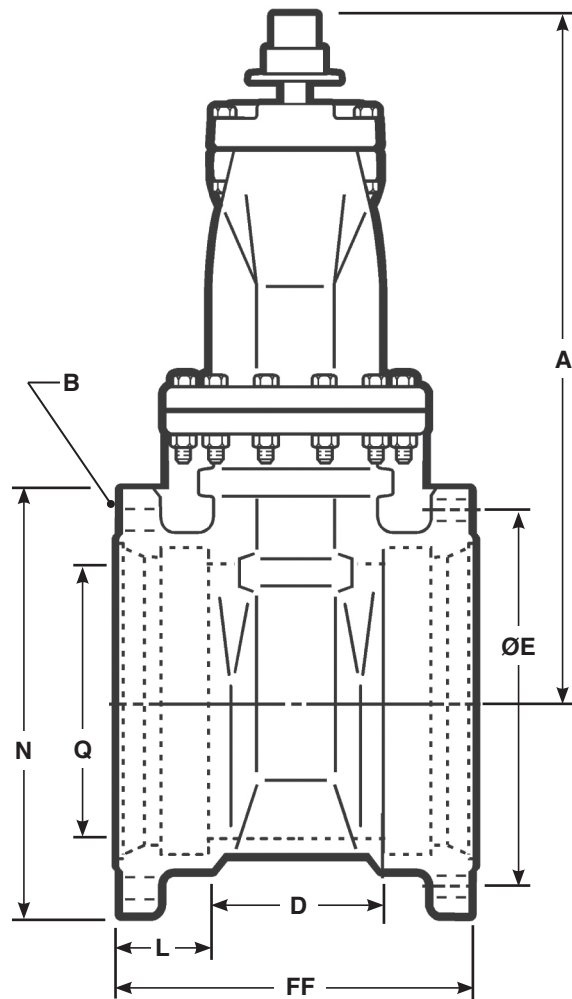



Reliable Connections

Mueller Co. International Division • 6125 Preservation Dr., Suite 200 • Chattanooga, TN 37416 USA
p +1.423.490.9555 • f +1.423.531.0033 • international@muellercompany.com • mueller-international.com
Form 12940 – Rev 04/17

A-2361 Resilient Wedge Gate Valve

14" – 24"/DN350 – DN600



DIMENSIONS – inches (mm)

Valve Size	A	D	ØE	FF	L	N	Q	WT – lbs (kg)
14"/DN350	32.75 (832)	12.36 (314)	18.75 (476)	19.75 (502)	3.50 (89)	20.62 (524)	14.38 (365)	695 (316)
16"/DN400	37.88 (962)	12.55 (319)	21.00 (533)	19.75 (502)	3.50 (89)	22.56 (573)	16.00 (400)	846 (385)
18"/DN450	44.19 (1122)	13.90 (353)	23.25 (590)	21.00 (533)	3.50 (89)	24.88 (632)	18.38 (467)	1274 (579)
20"/DN500	48.25 (1225)	14.13 (359)	25.50 (648)	21.50 (546)	3.50 (89)	27.01 (686)	20.38 (518)	1820 (827)
24"/DN600	53.88 (1369)	16.06 (408)	30.00 (762)	23.50 (597)	3.50 (89)	31.88 (810)	24.38 (619)	2438 (1108)

NUMBER AND SIZE OF HOLES (B) – inches (mm)*

Valve Size	14"/DN350	16"/DN400	18"/DN450	20"/DN500	24"/DN600
FLANGED	12 – 1.12" (28)	16 – 1.12" (28)	16 – 1.25" (32)	20 – 1.25" (32)	20 – 1.38" (35)
MJ	10 – .88" (22)	12 – .88" (22)	12 – .88" (22)	14 – .88" (22)	16 – .88" (22)

*For ANSI B16.1 Class 125 flanges.



Copyright © 2017 Mueller Co., LLC. All Rights Reserved. The trademarks, logos and service marks displayed in this document herein are the property of Mueller Co., LLC, its affiliates or other third parties. Products marked with a section symbol (§) are subject to patents or patent applications. For details, visit www.mwppat.com. These products are intended for use in potable water applications. Please contact your Mueller Sales or Customer Service Representative concerning any other application(s).