

# A-USP1 Resilient Wedge Gate Valve

14" – 24"/DN350 – DN600

**U.S.  
PIPE**
**VALVE &  
HYDRANT**


## PRODUCT FEATURES

- Non-Rising Stem (NRS).
- Meets requirements of AWWA C515 and is certified to ANSI/NSF 61 & 372.
- 2" square Operating Nut (optional Handwheel).
- 14" – 24"/DN350 – DN600. Larger valves through 54"/DN1350 also available.
- All Ductile Iron Body and Bonnet.
- Fusion Bonded Epoxy Coating – 10 mil (250 $\mu$ ) nominal, meets requirements of AWWA C550.
- Manganese Bronze Stem.
- Antifriction washer above and below thrust collar.
- Iron Wedge, symmetrical and fully encapsulated with molded rubber; no exposed iron – acetal Caps on guides ease operation and avoid wear.
- 10-year limited warranty.
- Pressure rating: 14" & 16"/DN350 & DN400 AWWA/UL/FM rating 250psig/17barg; 18" – 24"/DN450 – DN600 AWWA rating 250psig/17barg, UL rating 175psig/12barg, FM approved 250psig/17barg.
- End connection: Flange ANSI B16.1 Class 125 Flat Face (PN16 available in sizes 14" & 16"/DN350 & DN400 only).

## PARTS LIST

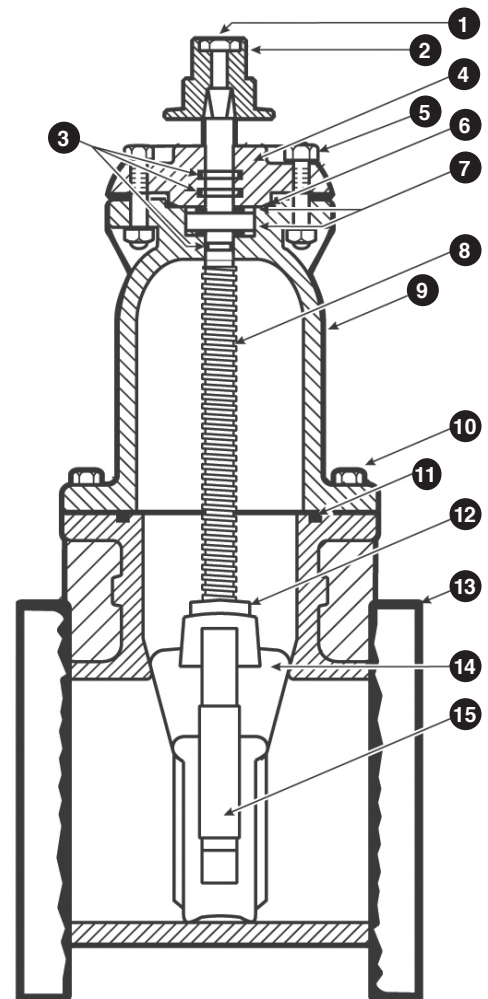
ID	PART NAME	MATERIAL
1	Wrench Nut	Cast Iron* ASTM A126 CL.B
2	Wrench Nut Cap Screw	Carbon Steel SAE J429 (See Note 3)
3	Stem O-Rings	Nitrile ASTM D2000 (See Note 1)
4	Stuffing Box	Ductile Iron ASTM A536**
5	Stuffing Bolts	Carbon Steel SAE J429 (See Note 3)
	Stuffing Nuts	Carbon Steel ASTM A563
6	Stuffing Box O-Ring	Nitrile ASTM D2000 (See Note1)
7	Anti Friction Washers	Acetal
8	Stem	Bronze 14" & 16"/DN350 & DN400 ASTM B138 (C67600) 18" – 24"/DN450 – DN600 ASTM B584 (C86400)
9	Bonnet	Ductile Iron ASTM A536**
10	Bonnet Bolts	Carbon Steel SAE J429 (See Note 3)
	Bonnet Nuts	Carbon Steel ASTM A563 (See Note 3)
11	Bonnet O-Ring	Nitrile ASTM D2000 (See Note 1)
12	Stem Nut	Bronze ASTM B62
13	Body	Ductile Iron ASTM A536**
14	Wedge	Ductile Iron ASTM A536** (See Note 2)
15	Guide Cap Bearings	Acetal
16	Hand Wheel (not shown)	Cast Iron* ASTM A126 CL.B

\*Manufacturers option to change to Ductile Iron ASTM A536.

\*\*ASTM A536 Ductile Iron Grade 65-45-12 (minimum strength).

### Notes:

1. 14" & 16"/DN350 & DN400 are Nitrile; 18" – 24"/DN450 – DN600 are EPDM.
2. Fully encapsulated in molded rubber with no iron exposed. 14" & 16"/DN350 & DN400 are SBR; 18" – 24"/DN450 – DN600 are EPDM.
3. 14" & 16"/DN350 & DN400 valves are provided with 316 Stainless Steel fasteners as standard.

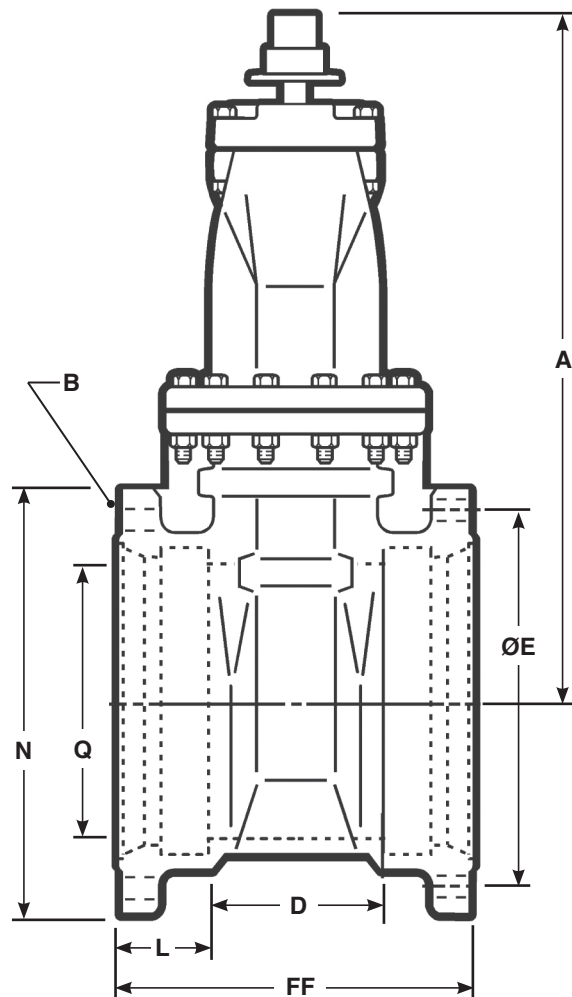


# A-USP1 Resilient Wedge Gate Valve

14" – 24"/DN350 – DN600



**VALVE &  
HYDRANT**



## DIMENSIONS – inches (mm)

Valve Size	A	D	ØE	FF	L	N	Q	WT – lbs (kg)
14"/DN350	32.75 (832)	12.36 (314)	18.75 (476)	19.75 (502)	3.50 (89)	20.62 (524)	14.38 (365)	695 (316)
16"/DN400	37.88 (962)	12.55 (319)	21.00 (533)	19.75 (502)	3.50 (89)	22.56 (573)	16.00 (400)	846 (385)
18"/DN450	44.19 (1122)	13.90 (353)	23.25 (590)	21.00 (533)	3.50 (89)	24.88 (632)	18.38 (467)	1274 (579)
20"/DN500	48.25 (1225)	14.13 (359)	25.50 (648)	21.50 (546)	3.50 (89)	27.01 (686)	20.38 (518)	1820 (827)
24"/DN600	53.88 (1369)	16.06 (408)	30.00 (762)	23.50 (597)	3.50 (89)	31.88 (810)	24.38 (619)	2438 (1108)

## NUMBER AND SIZE OF HOLES (B) – inches (mm)\*

Valve Size	14"/DN350	16"/DN400	18"/DN450	20"/DN500	24"/DN600
FLANGED	12 – 1.12" (28)	16 – 1.12" (28)	16 – 1.25" (32)	20 – 1.25" (32)	20 – 1.38" (35)
MJ	10 – .88" (22)	12 – .88" (22)	12 – .88" (22)	14 – .88" (22)	16 – .88" (22)

\*For ANSI B16.1 Class 125 flanges.