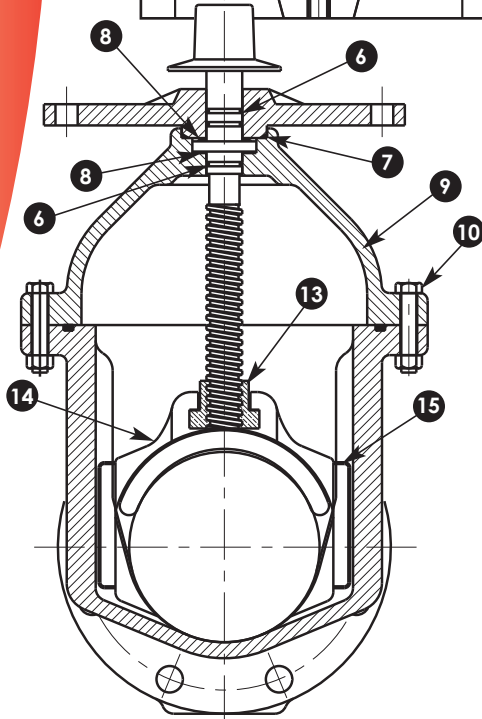
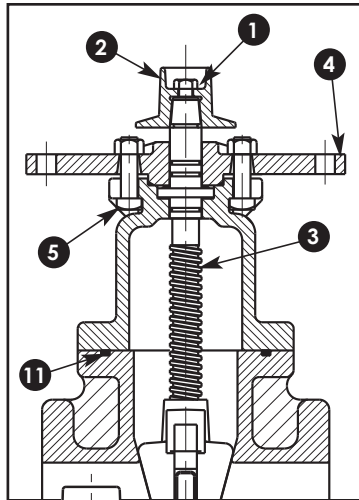




6" (DN150) shown

Product Features

- NRS Post Indicator Valve (PIV).
- Models: P-2462 4"–12" (DN100 – DN300).
- Ductile Iron Body and Bonnet, Cast Iron Post Indicator Flange.
- Mueller® Pro-Gard™ Fusion Epoxy Coating inside and out cover all cast surfaces – 10 mils (250 µm) nominal; meets AWWA/ANSI C550 and complies with NSF 61.
- Iron wedge, symmetrical & fully encapsulated with molded rubber; no exposed iron.
- Polymer cap bearing on wedge guides resist wear and provide easy operation.
- Three stem O-rings seal in lubricant – two above thrust collar, one below.
- Polymer anti-friction washers – one above and one below thrust collar reduce operating torque.
- Bi-directional flow.
- 10-year limited warranty.
- Pressure Rating: 4"–12" (DN100 – DN300) 250 psig (17 Barg).
- UL listed (4"–12"/DN100 – DN300); FM approved (4"–12"/DN100 – DN300).
- End connections: Mechanical Joint, Flange ANSI B16.1 Class 125 Flat Face (optional PN10, PN16 drilling).

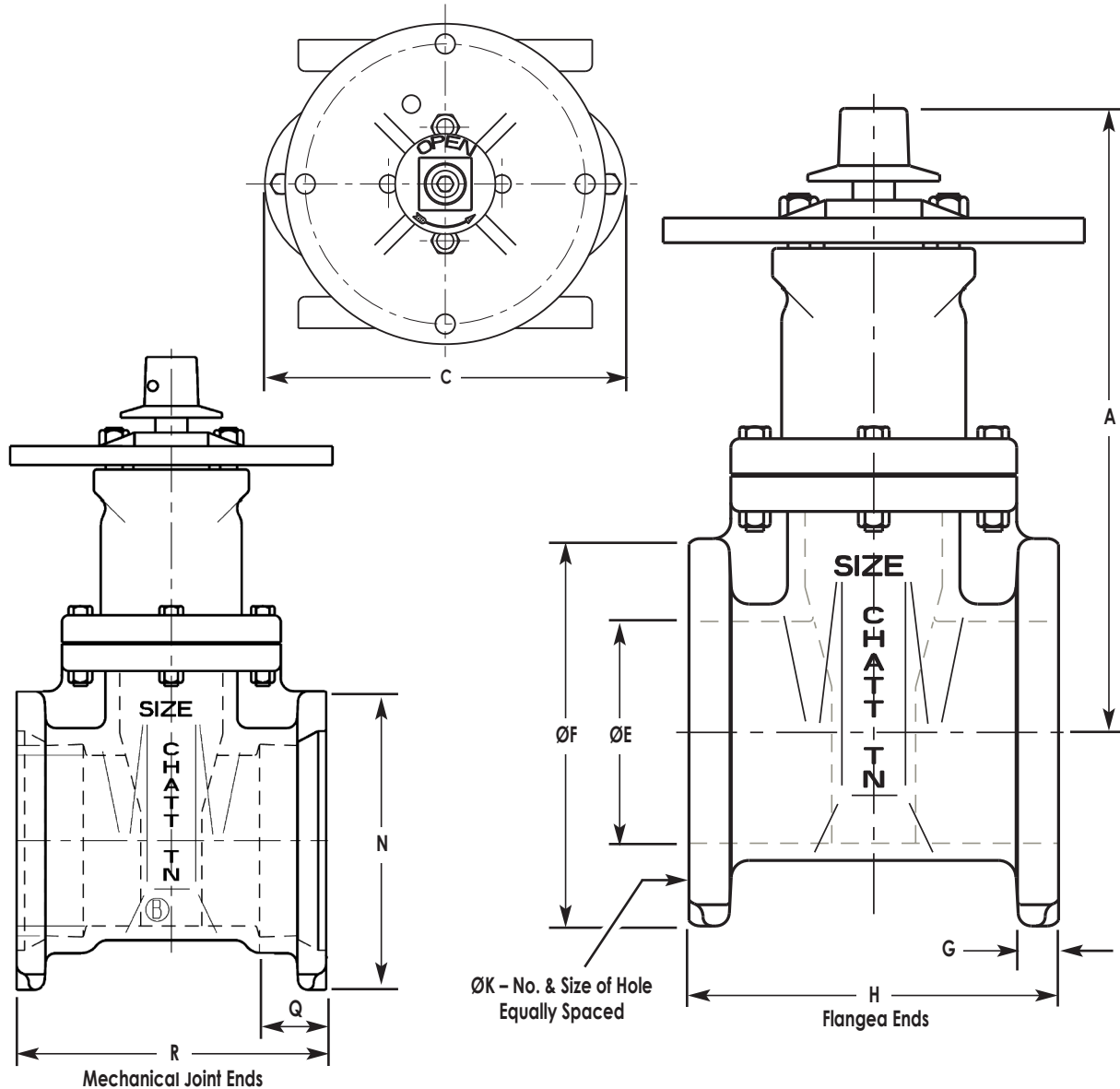


Parts List

ID	PART NAME	MATERIAL STANDARDS
1	Cap Screw (See Note 2)	304 Stainless Steel
2	Wrench Nut	Cast Iron ASTM A126 CL. B
3	Stem	Bronze ASTM B138
4	Stuffing Box	Cast Iron ASTM A126 CL. B
5	Stuffing Box Bolts/Nuts (See Note 2)	304 Stainless Steel
6	O-Ring	Nitrile ASTM D2000
7	O-Ring	Nitrile ASTM D2000
8	Anti-Friction Washer	Acetal
9	Bonnet	Ductile Iron ASTM A536
10	Bonnet Bolts/Nuts (See Note 2)	304 Stainless Steel
11	Bonnet Gasket (O-Ring)	Nitrile ASTM D2000
13	Disc Nut	Bronze ASTM B62
14	Disc	See Note 1
15	Guide Cap	Acetal

Notes:

1. Rubber-encapsulated Cast Iron Disc, Rubber – SBR ASTM D2000, Cast Iron ASTM A126 Class B.
2. Bolts – ASTM F593 Group 1-CW
Nuts – ASTM F594 Group 1-CW



Dimensions – inches (mm)

VALVE SIZE	A	C	ØE	ØF	G	H	No. - ØK	R	N	Q
4" (DN100)	14.19 (360)	10.79 (274)	4.30 (109)	9.00 (229)	0.94 (24)	9.00 (229)	8-0.75 (19)	10.00 (254)	9.12 (232)	2.50 (63)
6" (DN150)	18.00 (457)	13.50 (343)	6.30 (160)	11.00 (279)	1.06 (27)	10.50 (267)	8-0.88 (22)	11.60 (295)	11.12 (282)	2.50 (63)
8" (DN200)	21.50 (546)	16.36 (416)	8.30 (211)	13.50 (343)	1.19 (30)	11.50 (292)	8-0.88 (22)	12.68 (322)	13.37 (339)	2.50 (63)
10" (DN250)	25.50 (648)	19.99 (508)	10.30 (262)	16.00 (406)	1.25 (32)	13.00 (330)	12-1.00 (25)	14.88 (378)	15.62 (397)	2.50 (63)
12" (DN300)	28.62 (727)	21.00 (533)	12.30 (312)	19.00 (483)	1.31 (33)	14.00 (350)	12-1.00 (25)	15.00 (381)	17.88 (454)	2.50 (63)

Weight – lb. (Kg)

VALVE SIZE	4" (DN100)	6" (DN150)	8" (DN200)	10" (DN250)	12" (DN300)
FLANGED	112 (51)	168 (76)	268 (122)	409 (186)	540 (245)
MJ*	113 (51)	168 (76)	266 (121)	396 (180)	520 (236)

*Weights approximate, MJ less accessories

Copyright © 2014 Mueller Co., LLC. All Rights Reserved. The trademarks, logos and service marks displayed in this document herein are the property of Mueller Co., LLC, its affiliates or other third parties. These products are intended for use in potable water applications. Please contact your Mueller Sales or Customer Service Representative concerning any other application(s).



INTERNATIONAL DIVISION