

Resilient Wedge Post Indicator Valves

14" – 24"/DN350 – DN600

U.S.
PIPEVALVE &
HYDRANT18"/DN450
shown

PRODUCT FEATURES

- NRS Post Indicator Valve (PIV).
- Models: P-USP1 14" – 24"/DN350 – DN600.
- Ductile Iron Body and Bonnet, Ductile Iron Post Indicator Flange.
- Mueller Pro-Gard® Fusion Bonded Epoxy Coating inside and out cover all cast surfaces – 10 mils (250µm) nominal. Meets requirements of AWWA/ANSI C550.
- Meets requirements of AWWA/ANSI C515 and is certified to ANSI/NSF 61 & 372.
- Ductile Iron wedge, symmetrical & fully encapsulated with molded rubber; no exposed iron.
- Polymer cap bearing on wedge guides resist wear and provide easy operation.
- Three stem O-rings seal in lubricant – two above thrust collar, one below.
- Polymer anti-friction washers – one above and one below thrust collar reduce operating torque.
- Bi-directional flow.
- 10-year limited warranty.
- Pressure rating: 14" & 16"/DN350 & DN400 AWWA/UL/FM rating 250psig/17barg; 18" – 24"/DN450 – DN600 AWWA rating 250psig/17barg, UL rating 175psig/12barg, FM Approved rating 250psig/17barg.
- End connections: Flange ANSI B16.1 Class 125 Flat Face. 14" & 16"/DN350 & DN400 optional PN10, PN16 drilling. Mechanical Joint also available.

PARTS LIST

ID	PART NAME	MATERIAL
1	Cap Screw	(See Note 3)
2	Wrench Nut	Cast Iron ASTM A126 CL B (See Note 4)
3	Stem	Bronze ASTM B138 (See Note 2)
4	Stuffing Box	Ductile Iron ASTM 536
5	Stuffing Box Bolts/Nuts	(See Note 3)
6	O-Ring	ASTM D2000 (See Note 5)
7	O-Ring	ASTM D2000 (See Note 5)
8	Anti-Friction Washer	Brass
9	Bonnet	Ductile Iron ASTM A536
10	Bonnet Bolts/Nuts	(See Note 3)
11	Bonnet O-Ring	ASTM D2000 (See Note 5)
12	Wedge Nut	Bronze ASTM B62
13	Wedge	(See Note 1)
14	Guide Cap	Acetal
15	Body	Ductile Iron ASTM A536
16	Stuffing Box Insert	Carbon Steel ASTM A36
17	Bonnet Bushing	Bronze ASTM B62
18	Eyebolt	Galvanized Steel
19	Nut Steel	(See Note 3)

Notes:

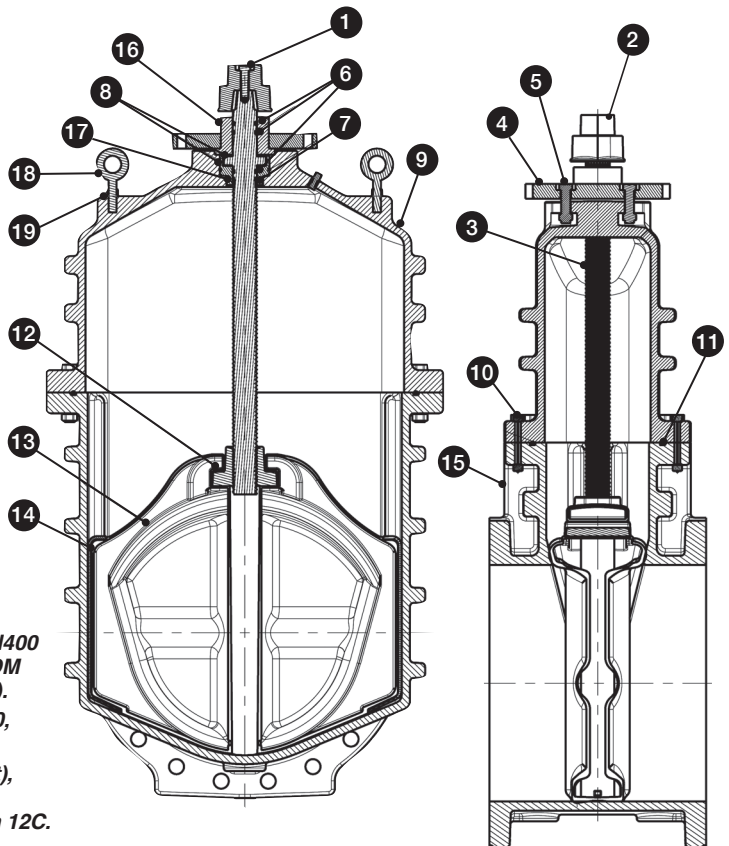
1. Rubber-encapsulated Ductile Iron Wedge; 14" & 16"/DN350 & DN400 Rubber – SBR ASTM D2000, 18" - 24"/DN450 - DN600 Rubber – EPDM ASTM D2000, Ductile Iron - ASTM A536 Grade 65-45 (min. strength).

2. 14" & 16"/DN350 & DN400 Manganese Bronze ASTM B138 C67600, 18" - 24"/DN450 - DN600 Manganese Bronze ASTM B584 C86400.

3. Bolts - 14" & 16"/DN350 & DN400 Stainless Steel ASTM F593 (bolt), ASTM F594 (nut); 18" - 24"/DN450 - DN600 SAE J429 Grade 2; Nuts - ASTM A563 Grade A; Fasteners - Plated to ASTM F1941 Class Fe/Zn 12C.

4. Manufacturers option to upgrade to Ductile Iron ASTM A536.

5. 14" & 16"/DN350 & DN400 Nitrile, 18" - 24"/DN450 - DN600 EPDM.

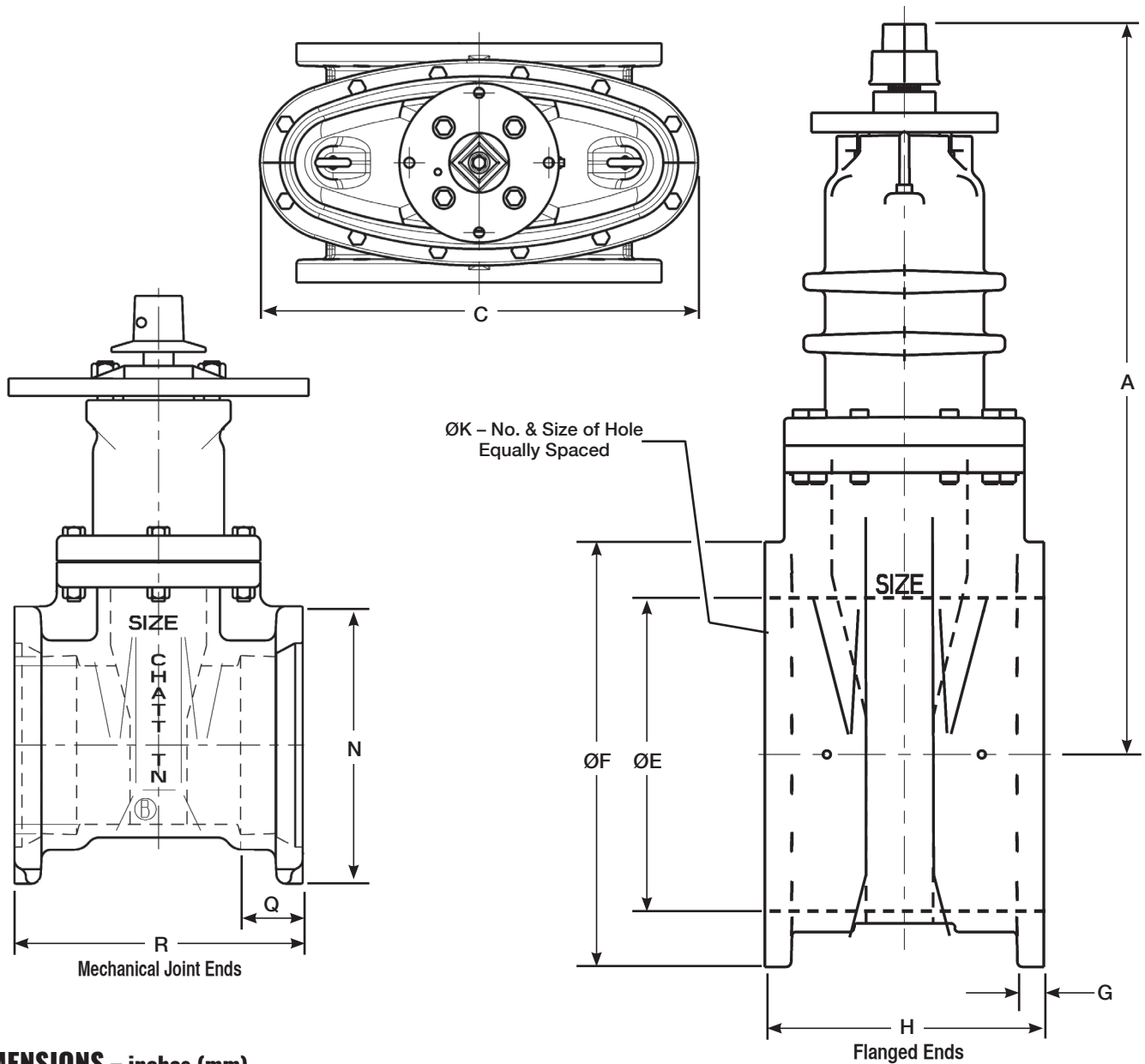


Resilient Wedge Post Indicator Valves

14" – 24"/DN350 – DN600



**VALVE &
HYDRANT**



DIMENSIONS – inches (mm)

Valve Size	A	C	ØE	ØF	G	H	NO. - ØK	R	N	Q
14"/DN350	32.75 (832)	24.92 (633)	14.38 (365)	21.00 (533)	1.38 (35)	15.06 (383)	12 - 1.12 (28)	19.88 (505)	20.25 (514)	3.50 (89)
16"/DN400	37.88 (962)	26.58 (675)	16.00 (400)	23.50 (597)	1.59 (40)	16.06 (408)	16 - 1.12 (28)	19.75 (502)	22.56 (573)	3.50 (89)
18"/DN450	44.19 (1122)	30.50 (775)	18.38 (467)	25.00 (635)	1.69 (43)	17.00 (432)	16 - 1.25 (32)	21.00 (533)	24.87 (632)	3.50 (89)
20"/DN500	48.25 (1225)	33.75 (857)	20.38 (518)	27.50 (698)	1.78 (45)	18.00 (450)	20 - 1.25 (32)	21.50 (546)	27.24 (692)	3.50 (89)
24"/DN600	53.88 (1369)	39.50 (1003)	24.38 (619)	32.00 (800)	2.00 (50)	20.00 (500)	20 - 1.38 (35)	23.50 (597)	31.88 (810)	3.50 (89)

WEIGHT – lb. (kg)

Valve Size	14"/DN350	16"/DN400	18"/DN450	20"/DN500	24"/DN600
FLANGED	659 (299)	841 (381)	1298 (589)	1640 (744)	2488 (1129)
MJ*	650 (295)	931 (422)	1298 (589)	1640 (744)	2423 (1099)

*Weights approximate, MJ less accessories



Copyright © 2017 U.S. Pipe Valve & Hydrant, LLC. All Rights Reserved. The trademarks, logos and service marks displayed in this document herein are the property of U.S. Pipe Valve & Hydrant, LLC, its affiliates or other third parties. Products marked with a section symbol (§) are subject to patents or patent applications. For details, visit www.mwppat.com. These products are intended for use in potable water applications. Please contact your Mueller Sales or Customer Service Representative concerning any other application(s).