

# Tell-Tail™ Break Check Valve

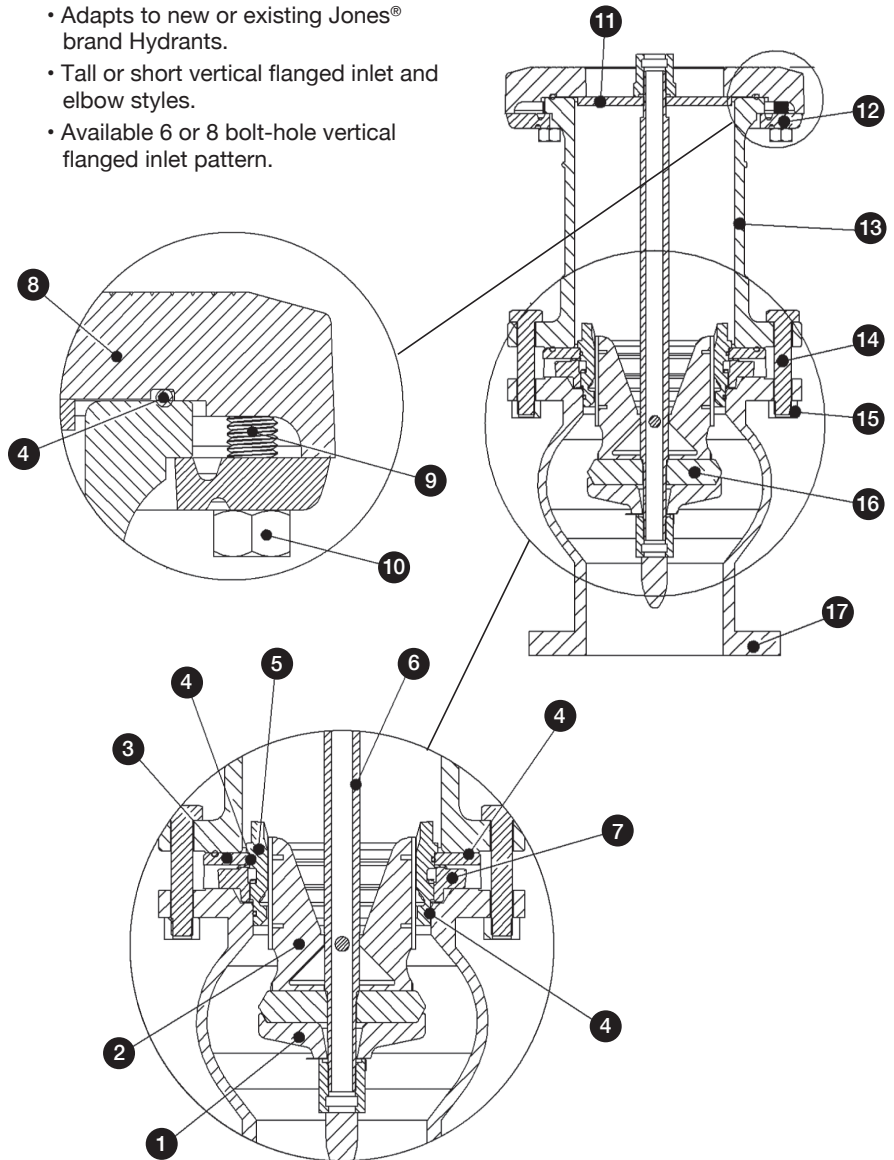
# Mueller Co.

Cutaway  
shown  
for details



## PRODUCT FEATURES

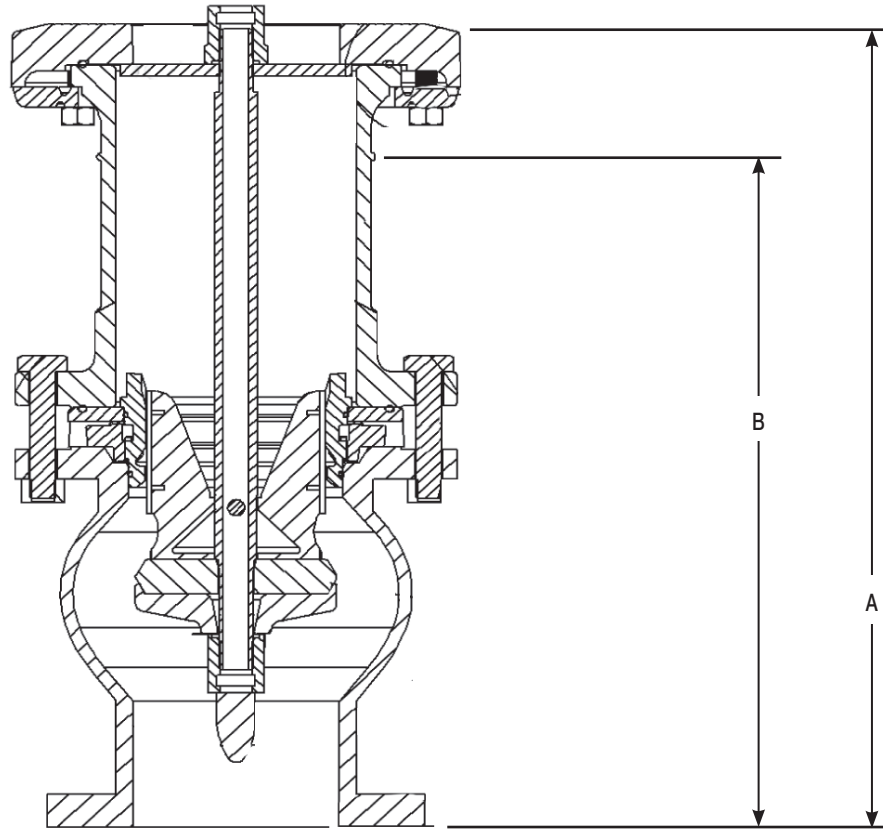
- Breaks cleanly and reliably with traffic impact.
- Minimizes physical damage and water loss.
- Minimizes water hammer when activated.
- Small "Tell-Tail" water stream signals damage, insufficient to cause property damage.
- Does not affect normal Hydrant use or operation.
- Adapts to new or existing Jones® brand Hydrants.
- Tall or short vertical flanged inlet and elbow styles.
- Available 6 or 8 bolt-hole vertical flanged inlet pattern.
- Also available as 90° Shoe, with Flanged, MJ, Mueller® AquaGrip®, or Slip-On Inlet configurations.
- Easy to reset (no springs).
- Ductile Iron, Bronze, and Stainless Steel construction.
- Extension kits available 6" – 24" (150mm – 600mm).



## PARTS LIST

ID	PART NAME	MATERIAL
1	Lower Valve Plate	Cast Iron
2	Upper Valve Plate	ASTM B584 Copper
3	Drain Ring Housing	Cast Iron
4	O-Rings	Nitrile
5	Hydrant Seat ring	ASTM B584 Copper
6	Break Check Stem	Stainless Steel
7	Hydrant Drain Ring	ASTM B584 Copper
8	Adapter Plate	Epoxy Coated Cast Iron
9	Threaded Studs	Zinc-Plated Steel
10	Nuts (Adapter Plate)	Zinc-Plated Steel
11	Break Check Retaining Bar	Stainless Steel
12	Safety Flange Plates	Cast Iron
13	Lower Barrel	Epoxy Coated Cast Iron
14	Bolts (Lower Barrel)	Stainless Steel 304
15	Nuts (Lower Barrel)	Stainless Steel 304
16	Main Reversible Valve	Rubber (SBR)
17	Vertical Shoe	Epoxy Coated Ductile Iron

# Tell-Tail™ Break Check Valve



A	B (Bury)
25 <sup>3</sup> / <sub>8</sub> " (645mm)	21 <sup>3</sup> / <sub>16</sub> " (538mm)
21" (533mm)	16 <sup>13</sup> / <sub>16</sub> " (427mm)

