

# Swing Check Valves

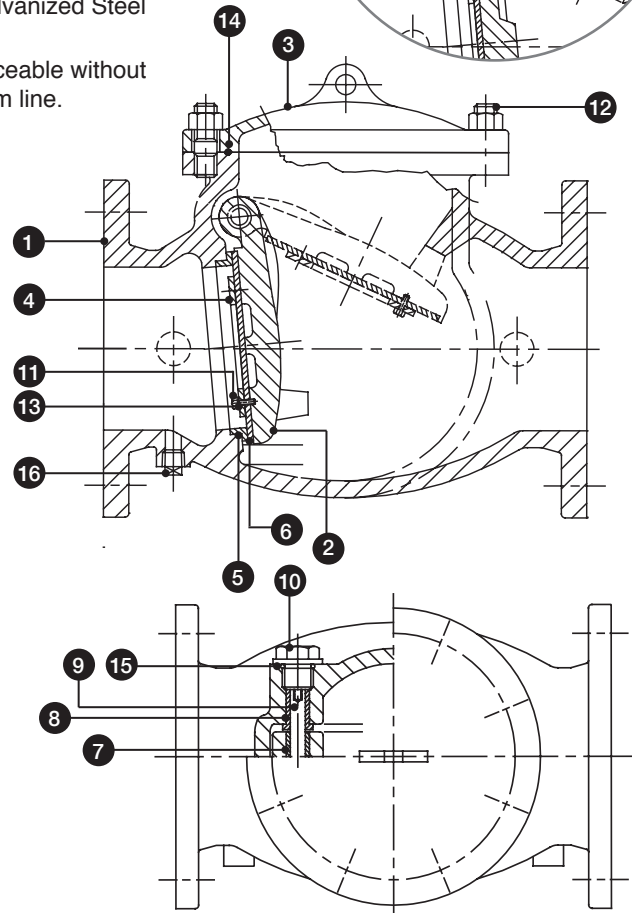
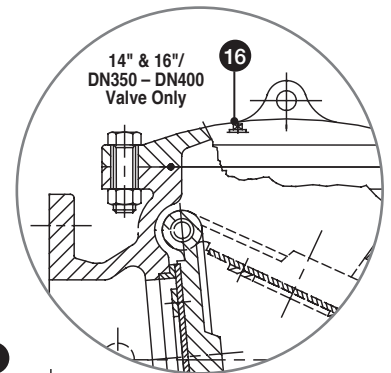
# Mueller Co.



8"/DN200 shown

## PRODUCT FEATURES

- Gravity operated.
- Sizes: 2" – 16"/DN50 – DN400.
- UL Listed and FM Approved.
- 2" – 12"/DN50 – DN300:  
350 psig / 24 barg C.W.P.,  
14" & 16"/DN350 & DN400:  
250 psig / 17 barg C.W.P.
- Designs available:  
A2122-B13 – 2"/DN50 – 12"/DN300;  
A2122-B1 – 14"/DN350 & 16"/DN400,  
Rubber Disc Facing and Bronze Seat  
Ring.
- Ductile Iron Valve Body.
- Two-part liquid epoxy coating for  
superior corrosion resistance.
- Ductile Iron Cover has lifting lug.
- Operating parts of Bronze and  
Stainless Steel, Cover Nuts and  
Bolts are electrogalvanized Steel  
to resist corrosion.
- Internal parts serviceable without  
removing valve from line.
- Tapping bosses both sides of body for  
connecting by-pass.
- Drain plug under inlet end for  
connecting drain valve.
- Flange End drilling meets: ANSI B16.1,  
Class 125 and ANSI B16.42, Class  
150 Flat Face. Optional PN10, PN16  
drilling.



## PARTS LIST

| ID | PART NAME        | MATERIAL / ASTM                      |
|----|------------------|--------------------------------------|
| 1  | Body             | Ductile Iron / A536 Gr. 65-45-12     |
| 2  | Disc             | Ductile Iron / A536 Gr. 65-45-12     |
| 3  | Cover            | Ductile Iron / A536 Gr. 65-45-12     |
| 4  | Seat Holder      | Ductile Iron / A536 Gr. 65-45-12     |
| 5  | Body Seat Ring   | Bronze / B62                         |
| 6  | Disc Seat Ring   | Rubber Buna-N or EPDM / D2000        |
| 7  | Disc Bushing     | Bronze / B62                         |
| 8  | Body Bushing     | Bronze / B62                         |
| 9  | Hinge Pin        | 304 Stainless Steel / A276           |
| 10 | Plug (A)         | 304 Stainless Steel / A276           |
| 11 | Disc Seat Bolt   | 304 Stainless Steel / A276           |
| 12 | Cover Stud & Nut | Zinc Coated Steel / F3125 Grade A325 |
| 13 | Spring Washer    | 304 Stainless Steel / A276           |
| 14 | Cover Gasket     | Rubber Buna-N or EPDM / D2000        |
| 15 | O-Ring           | Rubber Buna-N or EPDM / D2000        |
| 16 | Plug (B)         | 304 Stainless Steel ASTM A276        |

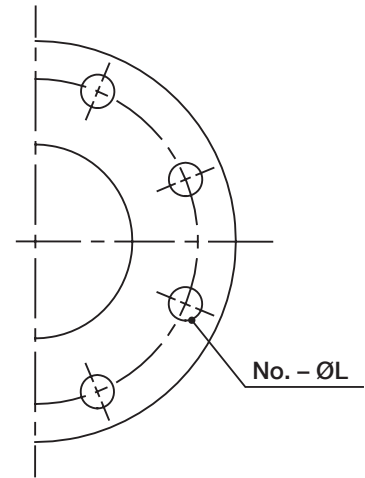
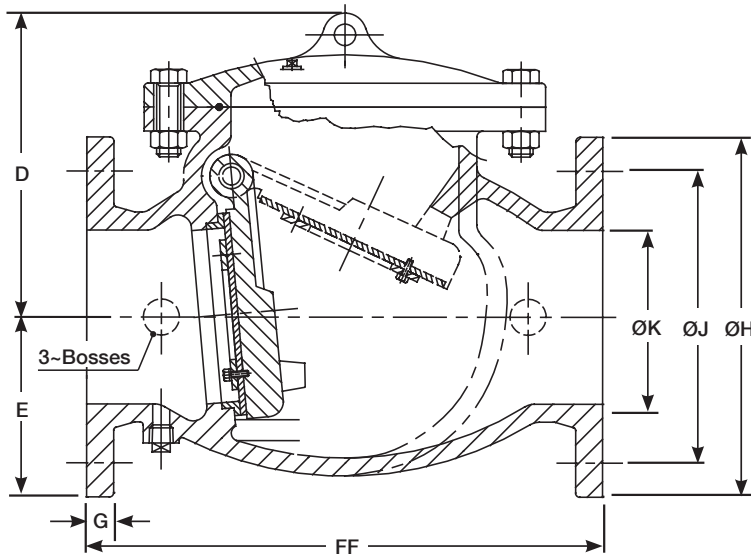
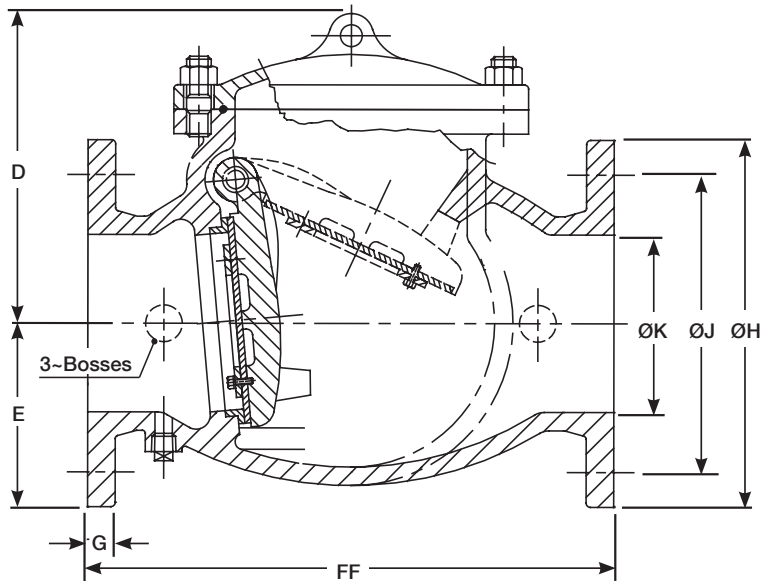
## Mueller Co.

Reliable Connections

Mueller Co. International Division • 1200 Abernathy Road, NE, Suite 1200 • Atlanta, Georgia 30328 USA  
p +1.423.490.9555 • f +1.423.531.0033 • international@muellercompany.com • [mueller-international.com](http://mueller-international.com)

Form 12855 – Rev 01/18

# Swing Check Valve



## DIMENSIONS - inches (mm)

| Valve Size  | D                                      | E            | FF             | G           | ØH           | ØJ                                  | ØK         | No. - ØL        | WT. - lb. (kg) |
|-------------|--|--------------|----------------|-------------|--------------|-------------------------------------|------------|-----------------|----------------|
| 2"/DN50     | 5 <sup>15</sup> / <sub>16</sub> (150)  | 3 (76)       | 8* (203)       | 5/8 (15)    | 6 (152)      | 4 <sup>3</sup> / <sub>4</sub> (120) | 2 (50)     | 4 - 3/4 (19)    | 28 (12.7)      |
| 2 1/2"/DN65 | 6 <sup>5</sup> / <sub>16</sub> (160)   | 3 1/2 (89)   | 8 1/2* (216)   | 11/16 (17)  | 7 (177)      | 5 1/2 (139)                         | 2 1/2 (65) | 4 - 3/4 (19)    | 39 (17.7)      |
| 3"/DN80     | 7 <sup>3</sup> / <sub>8</sub> (187)    | 3 3/4 (95)   | 9 1/2* (242)   | 3/4 (19)    | 7 1/2 (190)  | 6 (152)                             | 3 (80)     | 4 - 3/4 (19)    | 50 (22.7)      |
| 4"/DN100    | 8 <sup>1</sup> / <sub>16</sub> (203)   | 4 1/2 (114)  | 11 1/2* (292)  | 15/16 (23)  | 9 (228)      | 7 1/2 (190)                         | 4 (100)    | 8 - 3/4 (19)    | 75 (34.0)      |
| 6"/DN150    | 10 <sup>5</sup> / <sub>8</sub> (269)   | 5 1/2 (139)  | 14* (355)      | 1 (25)      | 11 (279)     | 9 1/2 (241)                         | 6 (150)    | 8 - 7/8 (22)    | 191 (86.6)     |
| 8"/DN200    | 12 <sup>3</sup> / <sub>8</sub> (314)   | 6 3/4 (171)  | 19 1/2* (495)  | 1 1/8 (28)  | 13 1/2 (342) | 11 3/4 (298)                        | 8 (200)    | 8 - 7/8 (22)    | 272 (123.4)    |
| 10"/DN250   | 14 <sup>11</sup> / <sub>16</sub> (373) | 8 (203)      | 24 1/2* (622)  | 1 3/16 (30) | 16 (406)     | 14 1/4 (361)                        | 10 (250)   | 12 - 1 (25)     | 436 (197.8)    |
| 12"/DN300   | 17 <sup>7</sup> / <sub>16</sub> (442)  | 9 1/2 (241)  | 27 1/2** (701) | 1 1/4 (31)  | 19 (482)     | 17 (431)                            | 12 (300)   | 12 - 1 (25)     | 656 (297.6)    |
| 14"/DN350   | 20 <sup>15</sup> / <sub>16</sub> (531) | 10 1/2 (266) | 31** (790)     | 1 3/8 (34)  | 21 (533)     | 18 3/4 (476)                        | 14 (350)   | 12 - 1 1/8 (28) | 962 (436.4)    |
| 16"/DN400   | 23 1/4 (590)                           | 11 3/4 (298) | 36** (917)     | 1 7/16 (36) | 23 1/2 (596) | 21 1/4 (539)                        | 16 (400)   | 16 - 1 1/8 (28) | 1294 (586.9)   |

\* ± 1/16 (1.5 mm)    \*\* ± 1/8 (3 mm)

**NOTE: No. - ØL column is for the ANSI flange only.**



Copyright © 2017 Mueller Co., LLC. All Rights Reserved. The trademarks, logos and service marks displayed in this document herein are the property of Mueller Co., LLC, its affiliates or other third parties. Products marked with a section symbol ( § ) are subject to patents or patent applications. For details, visit [www.mwppat.com](http://www.mwppat.com). These products are intended for use in potable water applications. Please contact your Mueller Sales or Customer Service Representative concerning any other application(s).