

UL Listed Groundhog® Butterfly Valves & Indicator Post

PRATT®



PRODUCT FEATURES

The Pratt UL Listed Groundhog Butterfly Valve and Style G Indicator Post provides a reliable assembly for use in buried service fire protection lines. It provides easy to see valve position indication from 300' (100m) away and tight shut off to the service line when required.

Groundhog Valve

- Manually operated rubber seat Butterfly Valve with a high visibility target.
- Designed for buried or chamber service in Fire Protection Systems.
- 4" to 12" (DN100 to DN300) rated 175psig (12barg).
- 14" to 48" (DN350 to DN1200) rated 150psig (10barg).
- Conforms to AWWA C504 standards.
- Equipped with a buried service Gear Actuator.
- Does not require exercising.
- UL Listed.
- Works in conjunction with Pratt Style G Indicator Post or can be installed separately.

Style G Indicator Post

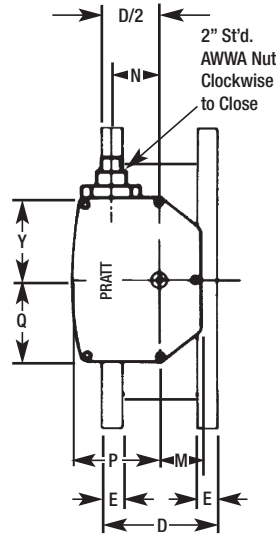
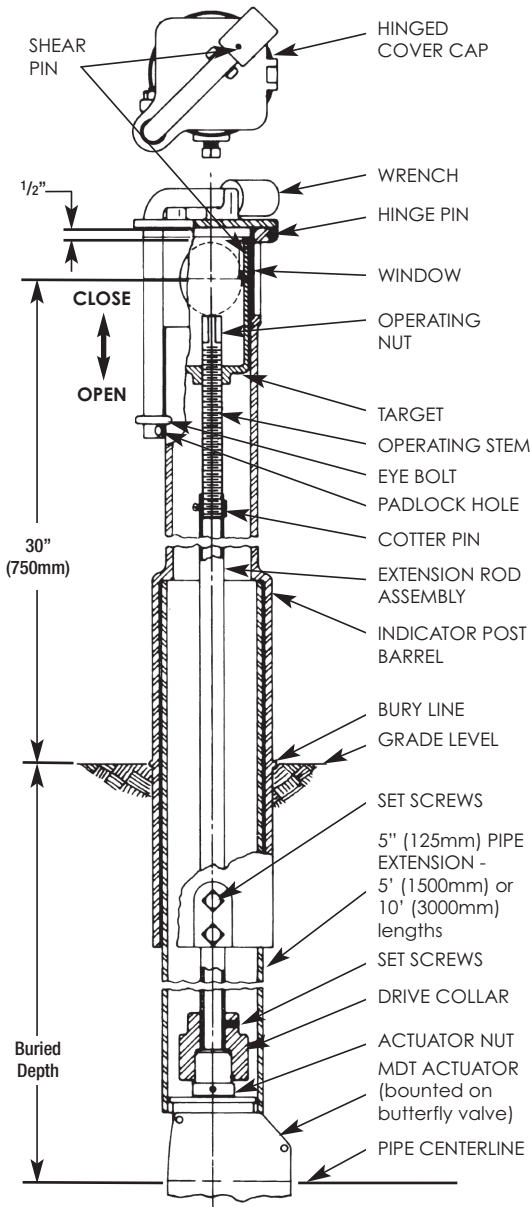
- Intended for use with Pratt 4" to 48" (DN100 to DN1200) Groundhog Valves.
- Meets AWWA Standard.
- Available in 5' (1500mm) and 10' (3000mm) standard extensions (see table below).
- Designed and tested in accordance with Underwriters Laboratories Test Guide UL-1091.

PARTS LIST

Valve Size	5 ft. (1500mm) Pipe Extension	10 ft. (3000mm) Pipe Extension
4" (DN100)	14-49 (356-1245)	14-109 (356-2767)
6" (DN150)	14-49 (356-1245)	14-109 (356-2767)
8" (DN200)	14-49 (356-1245)	14-109 (356-2767)
10" (DN250)	15-49 (381-1245)	15-109 (381-2767)
12" (DN300)	15-49 (381-1245)	15-109 (381-2767)
14" (DN350)	17-51 (432-1295)	17-111 (432-2819)
16" (DN400)	17-51 (432-1295)	17-111 (432-2819)
18" (DN450)	18-52 (457-1321)	18-112 (457-2845)
20" (DN500)	23-59 (584-1499)	23-119 (584-3023)
24" (DN600)	23-59 (584-1499)	23-119 (584-3023)
30" (DN750)	23-59 (584-1499)	23-119 (584-3023)
36" (DN900)	26-59 (660-1499)	26-119 (660-3023)
42" (DN1050)	32-59 (813-1499)	32-119 (813-3023)
48" (DN1200)	32-59 (813-1499)	32-119 (813-3023)

NOTE: Installer provides padlock for insertion wrench assembly to lock valve open.

UL Listed Groundhog® Butterfly Valves & Indicator Post



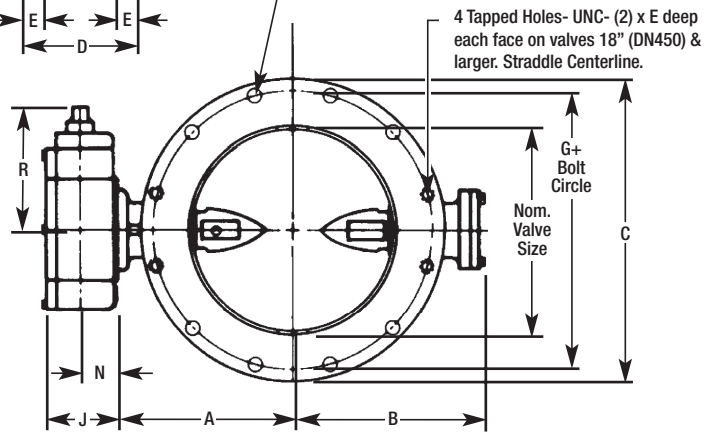
MDT OPERATOR TABLE - INCHES (MM)''

Oper. Size	J	L	M
MDT-2S	4 ³ / ₈ (111)	2 (51)	2 ¹ / ₈ (54)
MDT-3S	5 ¹ / ₈ (130)	2 ⁷ / ₁₆ (62)	3 ¹ / ₄ (83)
MDT-4S	5 ⁷ / ₈ (149)	2 ²⁷ / ₃₂ (72)	3 ³ / ₈ (86)
MDT-5	7 ¹ / ₂ (190)	3 ¹⁵ / ₃₂ (88)	4 ¹ / ₂ (108)
MDT-5S	8 ¹ / ₂ (216)	3 ¹⁵ / ₁₆ (100)	5 ¹ / ₂ (140)
MDT-6S	11 (279)	5 ¹ / ₁₆ (129)	7 (178)

NOTES:

1. D +/- 1/16" (1.5mm) thru 10" (DN250) valves, +/- 1/8" (3mm) for 12" (DN300) & larger valves.
2. Operator mounted in position as shown.
3. Rotation open left.

F = No. & Size of Bolts. 125 lb. Standard layout. All holes 1/8" larger than bolt diameter except as noted.
PN Drilling available on request.



MDT OPERATOR TABLE - INCHES (MM)''

Oper. Size	N	P	Q	R	Y
MDT-2S	2 (51)	4 ¹ / ₂ (114)	4 ¹ / ₄ (108)	4 ¹ / ₂ (114)	32 (813)
MDT-3S	3 ⁵ / ₃₂ (79)	5 ³ / ₈ (137)	5 ⁷ / ₁₆ (138)	6 ⁵ / ₈ (168)	30 (762)
MDT-4S	4 (102)	7 ⁵ / ₁₆ (186)	6 ³ / ₄ (171)	7 ⁵ / ₈ (194)	40 (1016)
MDT-5	5 ¹ / ₂ (140)	8 ³ / ₄ (222)	10 ¹ / ₈ (257)	13 ¹ / ₂ (343)	44 (1118)
MDT-5S	7 (178)	10 ¹ / ₂ (267)	15 ¹⁵ / ₁₆ (405)	15 ¹¹ / ₁₆ (398)	136 (3454)
MDT-6S	8 ¹ / ₄ (210)	12 ⁵ / ₈ (321)	26 ¹ / ₁₆ (673)	22 ¹ / ₄ (565)	215 (5461)

DIMENSIONS - INCHES (MM)

Part No.	A	B	C	D	E	No. of Holes - ØF	G	Oper. Size	Wt. - lbs. (kg.)
4" (DN100)	5 ¹ / ₂ (140)	3 ¹ / ₂ (89)	9 (229)	5 (127)	3/4 (19)	8 - 5/8 (16)	7 ¹ / ₂ (190)	MDT-2S	78 (35)
6" (DN150)	6 ¹ / ₂ (165)	5 ¹ / ₄ (133)	11 (279)	5 (127)	1 (25)	8 - 3/4 (19)	9 ¹ / ₂ (241)	MDT-2S	99 (44)
8" (DN200)	7 ³ / ₄ (197)	6 ¹ / ₂ (165)	13 ¹ / ₂ (343)	6 (152)	1 ¹ / ₈ (29)	8 - 3/4 (19)	11 ³ / ₄ (298)	MDT-2S	141 (63)
10" (DN250)	9 (229)	10 (254)	16 (406)	8 (203)	1 ³ / ₁₆ (30)	12 - 7/8 (22)	14 ¹ / ₄ (362)	MDT-2S	215 (97)
12" (DN300)	10 ¹ / ₂ (267)	11 ¹ / ₂ (292)	19 (483)	8 (203)	1 ¹ / ₂ (38)	12 - 7/8 (22)	17 (432)	MDT-2S	289 (131)
14" (DN350)	11 ⁷ / ₈ (302)	13 (330)	21 (533)	8 (203)	1 ³ / ₈ (35)	12 - 1 (25)	18 ³ / ₄ (476)	MDT-3S	400 (181)
16" (DN400)	13 ¹ / ₂ (343)	14 ¹ / ₂ (368)	23 ¹ / ₂ (597)	8 (203)	1 ⁷ / ₁₆ (36)	16 - 1 (25)	21 ¹ / ₄ (540)	MDT-3S	496 (224)
18" (DN450)	14 ³ / ₈ (365)	15 ³ / ₈ (391)	25 (635)	8 (203)	1 ⁹ / ₁₆ (40)	16 - 1 1/8 (29)	22 ³ / ₄ (578)	MDT-4S	596 (270)
20" (DN500)	16 (406)	17 ¹ / ₂ (444)	27 ¹ / ₂ (698)	8 (203)	1 ¹¹ / ₁₆ (43)	20 - 1 1/8 (29)	25 (635)	MDT-5	853 (386)
24" (DN600)	18 ⁵ / ₈ (473)	18 ⁵ / ₈ (473)	32 (813)	8 (203)	1 ⁷ / ₈ (48)	20 - 1 1/4 (32)	29 ¹ / ₂ (749)	MDT-5	1177 (533)
30" (DN750)	21 ¹ / ₂ (546)	24 ³ / ₄ (629)	38 ³ / ₄ (984)	12 (305)	2 ¹ / ₈ (54)	28 - 1 1/8 (29)	36 (914)	MDT-5	1854 (840)
36" (DN900)	25 ⁷ / ₁₆ (646)	28 ¹ / ₄ (718)	46 (1168)	12 (305)	2 ⁷ / ₁₆ (62)	32 - 1 1/2 (38)	42 ³ / ₄ (1086)	MDT-5S	2653 (1203)
42" (DN1050)	29 ⁷ / ₈ (759)	32 ⁷ / ₈ (835)	53 (1346)	12 (305)	2 ⁵ / ₈ (67)	36 - 1 1/2 (38)	49 ¹ / ₂ (1257)	MDT-6S	4132 (1874)
48" (DN1200)	34 ¹ / ₁₆ (865)	36 ⁷ / ₈ (937)	59 ¹ / ₂ (1511)	15 (381)	2 ³ / ₄ (70)	44 - 1 1/2 (38)	56 (1422)	MDT-6S	5542 (2513)



Copyright © 2016 Henry Pratt Company, LLC. All Rights Reserved.
The trademarks, logos and service marks displayed in this document herein are the property of Henry Pratt Company, LLC, its affiliates or other third parties. Please contact your Pratt Sales or Customer Service Representative concerning any other application(s).