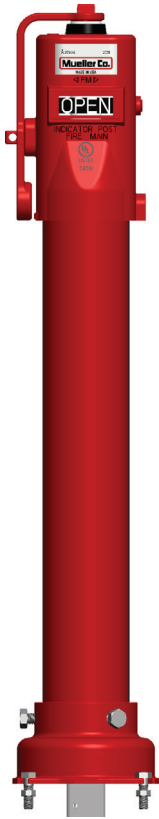


# Non-Adjustable Post Indicator

# Mueller Co.

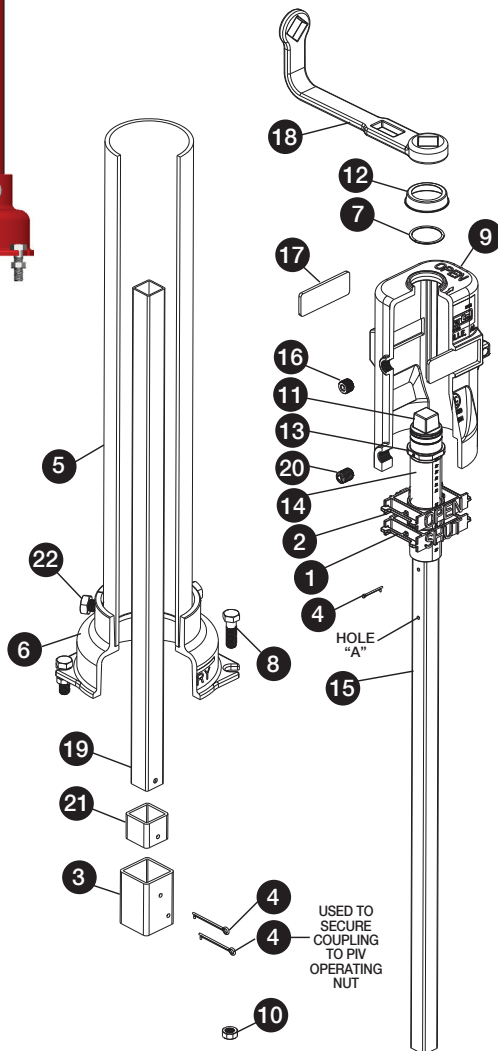


## PRODUCT FEATURES

- Available in three lengths with optional extensions.
- Compatible with 4" – 24"/DN100 – DN600 post indicator valves, requiring 14 to 75 turns respectively to open.
- Models: A-20808 4" – 14"/DN100 – DN350 valves; A-20809 16" – 24"/DN400 – DN600 valves.
- Open left or right options.
- Withstands up to 900 ft.-lbs. (1220Nm) of operating torque.
- Lockable Operating Wench storage prevents tampering.
- ½" NPT tapped boss for mounting optional supervisory switch.
- UL listed (4" – 24"/DN100 – DN600); FM approved (4" – 16"/DN100 – DN400).

### Extension Section and Stem

Lengths: 1' (300mm), 1'6" (450mm), 2' (600mm), 2'6" (750mm), 3' (900mm), 3'6" (1.05m), 4' (1.20m), 4'6" (1.35m), 5' (1.5m).



## PARTS LIST

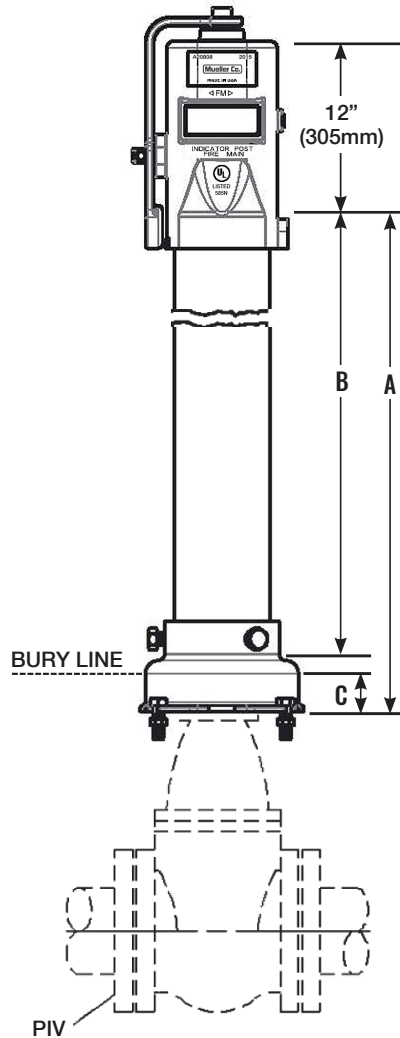
ID	PART NAME	MATERIAL
1	SHUT Target	Nylon
2	OPEN Target	Nylon
3	Coupling	Steel ASTM A500 GR.B
4	Cotter Pin (2 long, 1 short)	Brass ASTM B21
5	Barrel	Steel Pipe Schedule 40
6	Bell	Ductile Iron ASTM A536
7	Retaining Ring	Stainless Steel AISI 302
8	Hex Bolt	Steel/Zinc Plated ASTM A307 GR.A
9	Post Head	Cast Iron ASTM A126 CL.B
10	Hex Nut	Steel/Zinc Plated ASTM A563 GR.A
11	Operating Nut	Ductile Iron ASTM A536 GR.65-45-12
12	Cap	Polypropylene
13	Spring Pin	Stainless Steel AISI 420
14	Threaded Sleeve	Nylon (See Note 1)
15	Upper Stem	Steel ASTM A513
16	Pipe Plug- Hex Socket	Steel
17	Window	Plexiglass
18	Wrench	Ductile Iron ASTM A536 (See Note 2)
19	Lower Stem	Steel ASTM A500 GR.B
20	Socket Head Set Screw	Steel ANSI B18.3
21	Coupling Insert	Steel ASTM A500 GR.B
22	Hex HD Screw	Steel/Zinc Plated ASTM 307 GR.B

### Notes:

1. The Threaded Sleeve (#14) is Nylon on the 4" – 14"/DN100 – DN350 valves and Aluminum on the 16" – 24"/DN400 – DN600 valves.

2. The Wrench (#18) is made of Ductile Iron on the 4" – 14"/DN100 – DN350 valves and Steel on the 16" – 24"/DN400 – DN600 valves.

# Non-Adjustable Post Indicator



## BARREL DIMENSIONS – Inches (mm)

SIZE No.	A	B	C
0	26 <sup>5</sup> / <sub>8</sub> (676)	24 (610)	2 (51)
1	32 <sup>5</sup> / <sub>8</sub> (829)	30 (762)	8 (203)
2	38 <sup>5</sup> / <sub>8</sub> (981)	36 (914)	14 (356)

## DIMENSIONS – Feet/Inches (mm), WEIGHT – Lb (Kg)

VALVE SIZE	SIZE NUMBER		
	0	1	2
4"/DN100	1'3" (381)	1'9" (533)	2'3" (686)
6"/DN150	1'8" (508)	2'2" (660)	2'8" (813)
8"/DN200	2'1" (635)	2'7" (787)	3'1" (941)
10"/DN250	2'5" (737)	3'11" (1194)	4'5" (1348)
12"/DN300	2'9" (838)	3'3" (991)	3'9" (1143)
14"/DN350	3'3" (991)	3'9" (1143)	4'3" (1295)
16"/DN400	3'7" (1092)	4'1" (1245)	4'7" (1397)
18"/DN450	4'2" (1270)	4'8" (1422)	5'2" (1575)
20"/DN500	4'6" (1372)	5'0" (1524)	5'6" (1676)
24"/DN600	5'3" (1600)	5'9" (1753)	6'3" (1905)
<b>WEIGHT-Lb (Kg)</b>	84 (38.2)	92 (41.8)	100 (45.5)