

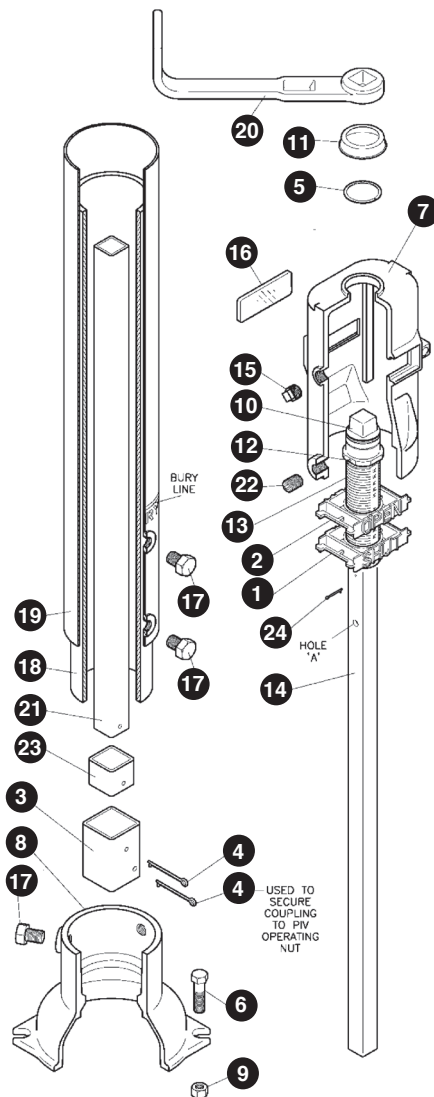
Shallow Bury Indicator Post

ADJUSTABLE




PRODUCT FEATURES

- Adjustable in field without disassembly 11" (280mm) range.
- Compatible with 4" – 24"/DN100 – DN600 post indicator valves, requiring 14 to 75 turns respectively to open.
- Models: A20806 4" – 14"/DN100 – DN350 valves, A20807 16" – 24"/DN400 – DN600 valves.
- Open left or right options.
- Withstands up to 900 ft- lb (1220Nm) of operating torque.
- Lockable Operating Wench storage prevents tampering.
- NPT tapped boss for mounting optional supervisory switch.
- UL listed (4" – 24"/DN100 – DN600); FM approved (4" – 14"/DN100 – DN350).



PARTS LIST

ID	PART NAME	MATERIAL
1	SHUT Target	Nylon
2	OPEN Target	Nylon
3	Coupling	Steel ASTM A500 GR.B
4	Cotter Pin (long)	Brass ASTM B21
5	Retaining Ring	Stainless Steel AISI 302
6	Hex Bolt	Steel/Plated ASTM A307 or SAE J429
7	Post Head	Cast Iron ASTM A126 CL.B
8	Bell	Cast Iron ASTM A126 CL.B
9	Hex Nut	Steel/Plated ASTM A563
10	Operating Nut	Ductile Iron ASTM A536
11	Cap	Polypropylene
12	Spring Pin	Stainless Steel AISI 420
13	Threaded Sleeve	Nylon (See Note 1)
14	Upper Stem	Steel ASTM A513
15	Pipe Plug - Hex Socket	Steel
16	Window	Plexiglass
17	Hex Head Screw	Steel/Plated ASTM A307 or SAE J429
18	Lower Barrel	Ductile Iron ASTM A746 (PVC DR14 UL Listed optional)
19	Upper Barrel	Steel ASTM A53 GR.B
20	Wrench	Ductile Iron ASTM A536 (See Note 2)
21	Lower Stem	Steel ASTM A500 GR.B
22	Socket Head Set Screw	Steel ANSI B18.3
23	Coupling Insert	Steel ASTM A500 GR.B
24	Cotter Pin (short)	Brass ASTM B21

Notes:

1. The Threaded Sleeve (#13) is Nylon on the 4" – 14"/DN100 – DN350 valves and Aluminum on the 16" – 24"/DN400 – DN600 valves.
2. The Wrench (#20) is made of Ductile Iron on the 4" – 14"/DN100 – DN350 valves and Steel on the 16" – 24"/DN400 – DN600 valves.

Shallow Bury Indicator Post

ADJUSTABLE

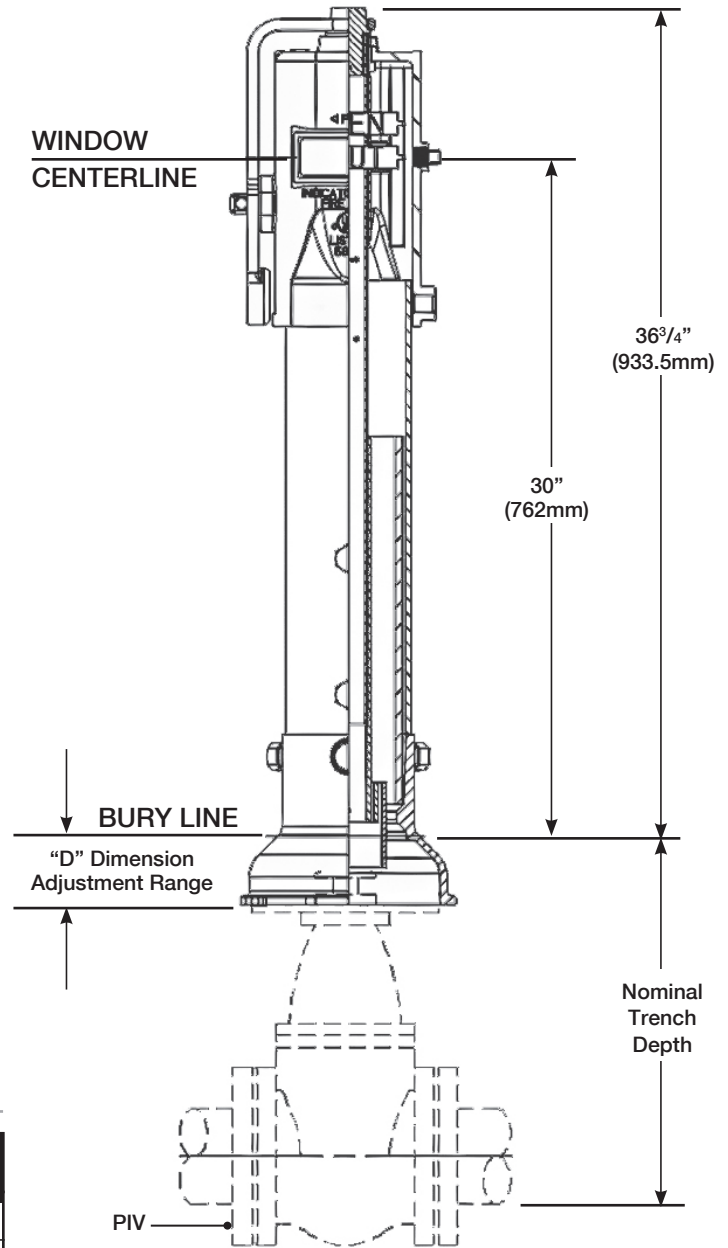


D DIMENSION – Adjustment Range and Weight

	ORDER LENGTH S
Minimum	3" (75mm)
Maximum	14" (355mm)
Weight	140lbs (64kg)

NOMINAL TRENCH DEPTHS – Feet/Inches (mm)

PART NUMBER	VALVE SIZE	ORDER LENGTH S	
		Minimum	Maximum
A-20806	4"/DN100	1'4" (406)	2'3" (486)
	6"/DN150	1'9" (533)	2'8" (813)
	8"/DN200	2'1" (635)	3'0" (914)
	10"/DN250	2'6" (762)	3'5" (1041)
	12"/DN300	2'10" (864)	3'9" (1143)
	14"/DN350	3'4" (1016)	4'3" (1295)
A-20807	16"/DN400	3'8" (1118)	4'7" (1397)
	18"/DN450	4'3" (1295)	5'2" (1575)
	20"/DN500	4'7" (1397)	5'6" (1676)
	24"/DN600	5'4" (1626)	6'3" (1905)



Copyright © 2016 Mueller Co., LLC. All Rights Reserved. The trademarks, logos and service marks displayed in this document herein are the property of Mueller Co., LLC, its affiliates or other third parties. Products marked with a section symbol (§) are subject to patents or patent applications. For details, visit www.mwppat.com. These products are intended for use in potable water applications. Please contact your Mueller Sales or Customer Service Representative concerning any other application(s).