

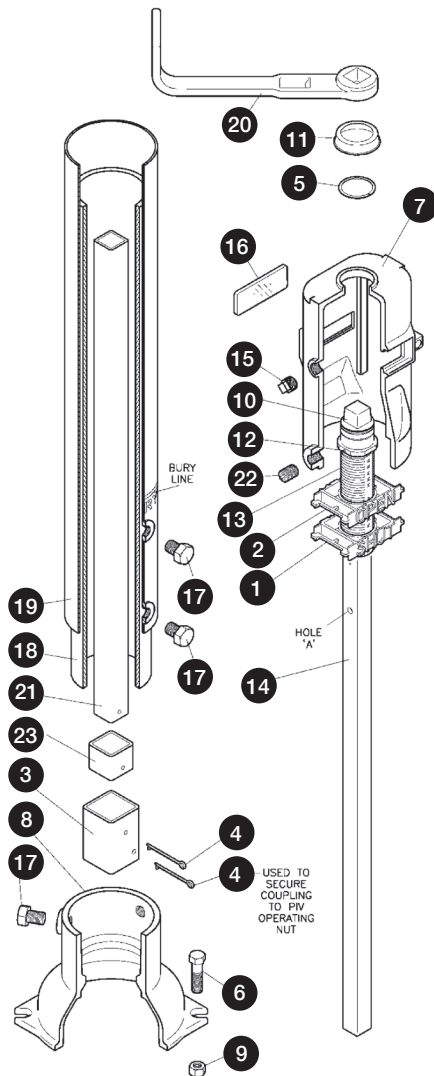
Adjustable Post Indicator



PRODUCT FEATURES

- Adjustable in field without disassembly 24¹/₄" (616mm) range.
- Compatible with 4" – 24"/DN100 – DN600 post indicator valves, requiring 14 to 75 turns respectively to open.
- Models: U-20806 4" – 14"/DN100 – DN350 valves, U-20807 16" – 24"/DN400 – DN600 valves.
- Open left or right options.
- Withstands up to 900 ft- lb (1220Nm) of operating torque.
- Lockable Operating Wench storage prevents tampering.
- NPT tapped boss for mounting optional supervisory switch.
- UL listed (4" – 24"/DN100 – DN600); FM approved (4" – 16"/DN100 – DN400).

PARTS LIST



ID	PART NAME	MATERIAL
1	SHUT Target	Nylon
2	OPEN Target	Nylon
3	Coupling	Steel ASTM A500 GR.B
4	Cotter Pin (long)	Brass ASTM B21
5	Retaining Ring	Stainless Steel AISI 302
6	Hex Bolt	Steel/Zinc Plated ASTM A307 GR.A
7	Post Head	Cast Iron ASTM A126 CL.B
8	Bell	Cast Iron ASTM A126 CL.B
9	Hex Nut	Steel/Zinc Plated ASTM A563 GR.A
10	Operating Nut	Ductile Iron ASTM A536
11	Cap	Polypropylene
12	Spring Pin	Stainless Steel AISI 420
13	Threaded Sleeve	Nylon (See Note 1)
14	Upper Stem	Steel ASTM A513
15	Pipe Plug- Hex Socket	Steel
16	Window	Plexiglass
17	Hex Head Screw	Steel/Zinc Plated ASTM A307 GR.A
18	Lower Barrel	Ductile Iron ASTM A746 (See Note 3)
19	Upper Barrel	Steel ASTM A53 GR.B
20	Wrench	Ductile Iron ASTM A536 (See Note 2)
21	Lower Stem	Steel ASTM A500 GR.B
22	Socket Head Set Screw	Steel ANSI B18.3
23	Coupling	Steel ASTM A500 GR.B

Notes:

1. The Threaded Sleeve (#13) is Nylon on the 4" – 14"/DN100 – DN350 valves and Aluminum on the 16" – 24"/DN400 – DN600 valves.

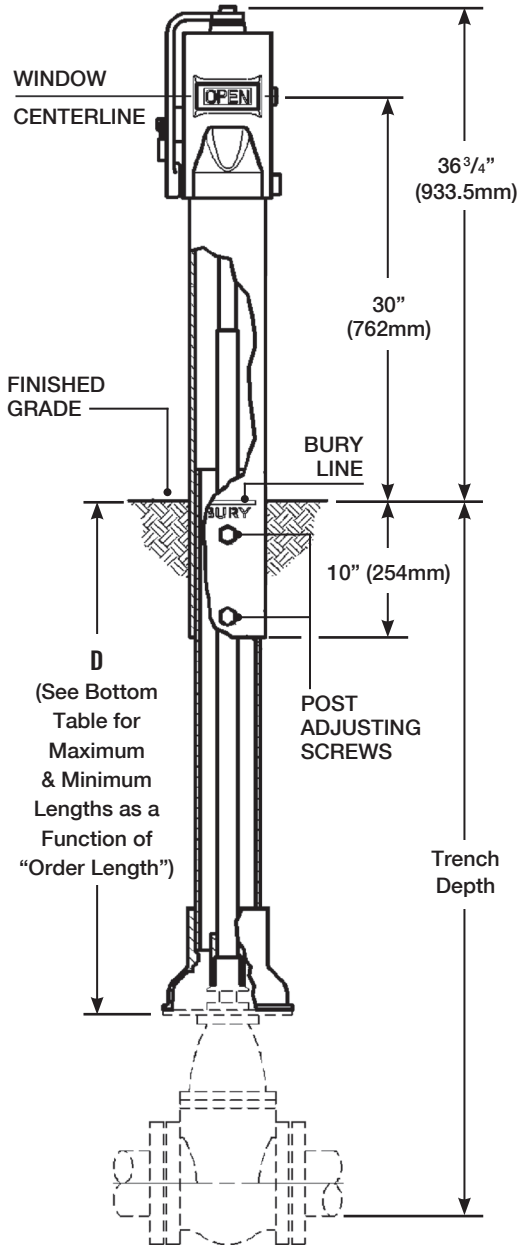
2. The Wrench (#20) is made of Ductile Iron on the 4" – 14"/DN100 – DN350 valves and Steel on the 16" – 24"/DN400 – DN600 valves.

3. PVC DR14 UL Listed optional.

Adjustable Post Indicator



**VALVE &
HYDRANT**



NOMINAL TRENCH DEPTHS – Feet/Inches (mm)

VALVE SIZE	ORDER LENGTH A		ORDER LENGTH B	
	Min.	Max.	Min.	Max.
4"/DN100	2'7" (787)	4'5" (1348)	4'1" (1247)	6'2" (1880)
6"/DN150	3'0" (914)	4'10" (1473)	4'6" (1371)	6'7" (2007)
8"/DN200	3'4" (1016)	5'2" (1575)	4'11" (1499)	6'11" (2108)
10"/DN250	3'8" (1118)	5'6" (1676)	5'3" (1600)	7'3" (2210)
12"/DN300	4'0" (1219)	5'10" (1778)	5'7" (1702)	7'7" (2311)
14"/DN350	4'6" (1371)	6'4" (1930)	6'1" (1854)	8'1" (2464)
16"/DN400	4'10" (1473)	6'8" (2032)	6'5" (1956)	8'5" (2565)
18"/DN450	5'5" (1651)	7'3" (2210)	7'0" (2134)	9'0" (2743)
20"/DN500	5'10" (1778)	7'8" (2337)	7'4" (2235)	9'5" (2870)
24"/DN600	6'6" (1981)	8'4" (2540)	8'1" (2464)	10'1" (3073)

VALVE SIZE	ORDER LENGTH C		ORDER LENGTH D	
	Min.	Max.	Min.	Max.
4"/DN100	5'10" (1778)	7'11" (2413)	7'6" (2286)	9'8" (2946)
6"/DN150	6'3" (1905)	8'4" (2540)	8'0" (2438)	10'1" (3073)
8"/DN200	6'8" (2032)	8'8" (2642)	8'5" (2565)	10'5" (3175)
10"/DN250	6'10" (2083)	9'0" (2743)	8'9" (2667)	10'9" (3277)
12"/DN300	7'4" (2235)	9'4" (2849)	9'1" (2769)	11'1" (3378)
14"/DN350	7'10" (2388)	9'10" (2997)	9'7" (2921)	11'7" (3531)
16"/DN400	8'2" (2489)	10'2" (3099)	9'11" (3023)	11'11" (3632)
18"/DN450	8'9" (2667)	10'9" (3277)	10'6" (3200)	12'6" (3810)
20"/DN500	9'1" (2769)	11'2" (3404)	10'10" (3302)	12'11" (3937)
24"/DN600	9'10" (2997)	11'10" (3608)	11'7" (3531)	13'7" (4140)

VALVE SIZE	ORDER LENGTH E		ORDER LENGTH F	
	Min.	Max.	Min.	Max.
4"/DN100	9'4" (2849)	11'5" (3480)	11'1" (3378)	13'2" (4013)
6"/DN150	9'9" (2972)	11'10" (3608)	11'6" (3505)	13'7" (4140)
8"/DN200	10'2" (3099)	12'2" (3708)	11'11" (3632)	13'11" (4242)
10"/DN250	10'6" (3200)	12'6" (3810)	12'3" (3734)	14'3" (4343)
12"/DN300	10'10" (3302)	12'10" (3912)	12'7" (3835)	14'7" (4445)
14"/DN350	11'4" (3454)	13'4" (4064)	13'1" (3988)	15'1" (4597)
16"/DN400	11'8" (3556)	13'8" (4166)	13'5" (4089)	15'5" (4699)
18"/DN450	12'3" (3734)	14'3" (4343)	14'0" (4267)	16'0" (4877)
20"/DN500	12'7" (3835)	14'8" (4470)	14'4" (4369)	16'5" (5004)
24"/DN600	13'4" (4064)	15'4" (4674)	15'1" (4597)	17'1" (5207)

D DIMENSION – Adjustment Range and Weight

	ORDER LENGTH					
	A	B	C	D	E	F
Minimum	17'1/4" (438mm)	36" (914mm)	57" (1448mm)	78" (1981mm)	99" (2515mm)	120" (3048mm)
Maximum	39'1/4" (997mm)	60'1/4" (1530mm)	81'1/4" (2064mm)	102'1/4" (2597mm)	123'1/4" (3130mm)	144'1/4" (3664mm)
WEIGHT	140lbs (63kg)	166lbs (75kg)	195lbs (88kg)	224lbs (102kg)	253lbs (115kg)	282lbs (128kg)



Reliable Connections

Copyright © 2016 U.S. Pipe Valve & Hydrant, LLC. All Rights Reserved. The trademarks, logos and service marks displayed in this document herein are the property of U.S. Pipe Valve & Hydrant, LLC, its affiliates or other third parties. Products marked with a section symbol (§) are subject to patents or patent applications. For details, visit www.mwppat.com. These products are intended for use in potable water applications. Please contact your Mueller Sales or Customer Service Representative concerning any other application(s).