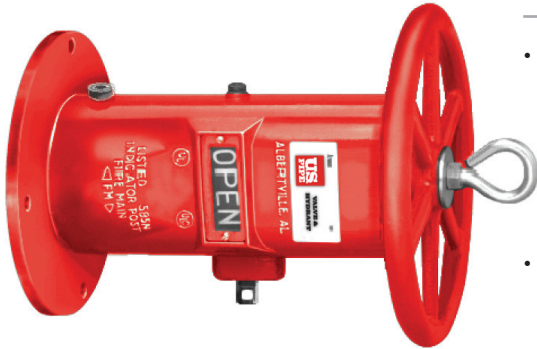


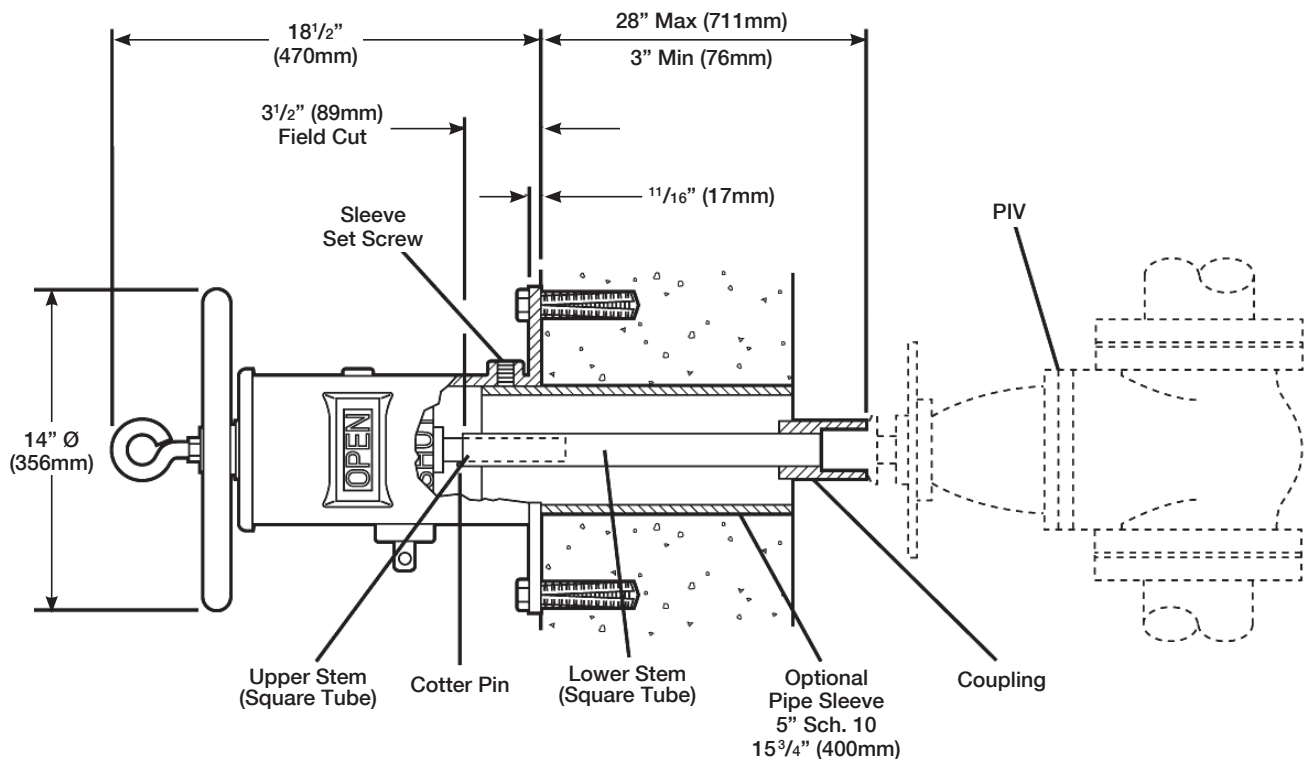
# Wall Type Indicator Post

## PRODUCT FEATURES



- Compatible with 4" – 14" /DN100 – DN350 non-rising stem post indicator valves, requiring 14 to 49 turns respectively to open.
  - Open left or right options.
  - Model U-20814.
- Withstands up to 900 ft-lb (1220Nm) of operating torque.
- Handwheel operated, includes eye bolt attachment to facilitate use of chain and padlock.
- ½" NPT tapped boss for mounting optional supervisory switch.
- UL listed and FM approved.

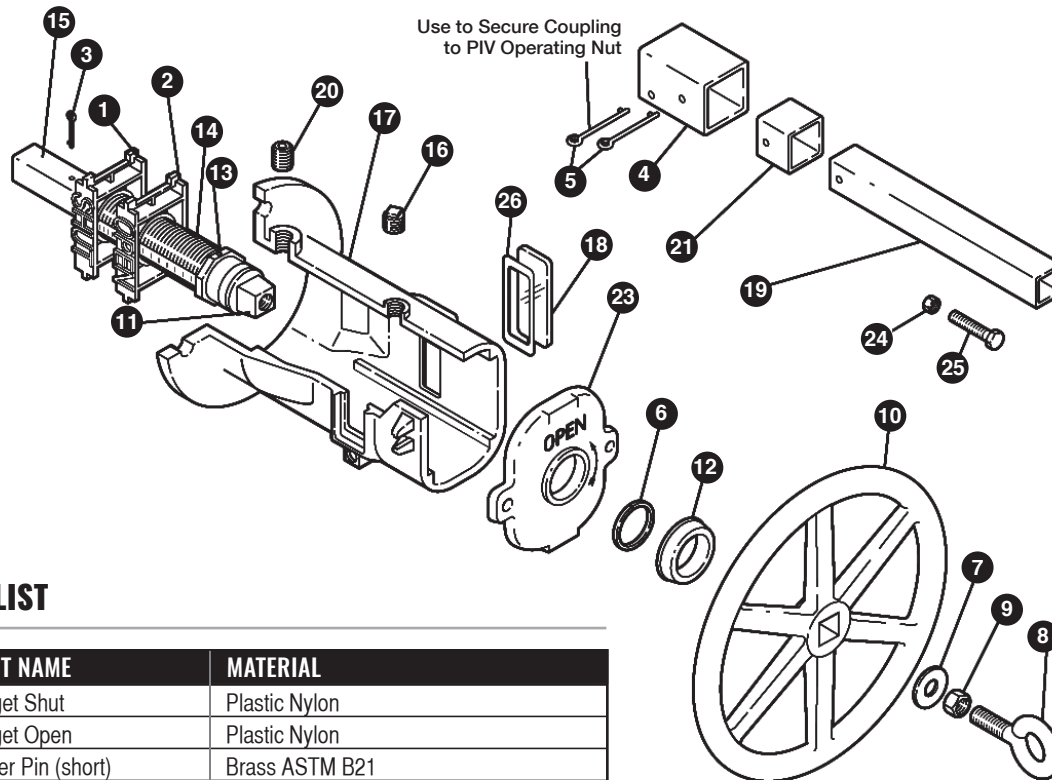
## DIMENSIONS



# Wall Type Indicator Post



**VALVE &  
HYDRANT**

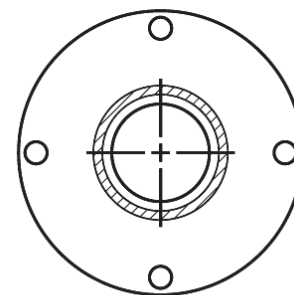


## PARTS LIST

ID	PART NAME	MATERIAL
1	Target Shut	Plastic Nylon
2	Target Open	Plastic Nylon
3	Cotter Pin (short)	Brass ASTM B21
4	Coupling	Steel ASTM A500 GR.B
5	Cotter Pin (long)	Brass ASTM B21
6	Retaining Ring	Stainless Steel AISI 302
7	Washer	Steel/Zinc Plated
8	Eye Bolt	Steel/Zinc Plated
9	Hex Nut	Steel/Zinc Plated ASTM A563 GR.A
10	Handwheel	Ductile Iron ASTM A536
11	Operating Nut	Ductile Iron ASTM A536
12	Cap	Polypropylene
13	Spring Pin	Stainless Steel AISI 420
14	Threaded Sleeve	Nylon
15	Upper Stem	Steel ASTM A513
16	Pipe Plug - Hex Socket	Steel
17	Post Head	Cast Iron ASTM A126 CL.B
18	Window	Plexiglass
19	Lower Stem	Steel ASTM A500 GR.B
20	Socket Head Set Screw	Steel ANSI B18.3
21	Coupling Insert	Steel ASTM A500 GR.B
23	Indicator Post Cover	Cast Iron ASTM A126 CL.B
24	Hex Nut 1/2"	Steel/Zinc Plated ASTM A563 GR.B
25	Hex Bolt 1/2" x 1 3/4"	Steel/Zinc Plated ANSI B18.2.1
26	Window Gasket	Rubber

**Weight: 59lbs (27kg)**

12"Ø (305mm) Flange



3/4"Ø (19mm) Bolt Holes on  
10 1/2"Ø (267mm) Bolt Circle



Reliable Connections

Copyright © 2016 U.S. Pipe Valve & Hydrant, LLC. All Rights Reserved. The trademarks, logos and service marks displayed in this document herein are the property of U.S. Pipe Valve & Hydrant, LLC, its affiliates or other third parties. Products marked with a section symbol ( § ) are subject to patents or patent applications. For details, visit [www.mwppat.com](http://www.mwppat.com). These products are intended for use in potable water applications. Please contact your Mueller Sales or Customer Service Representative concerning any other application(s).