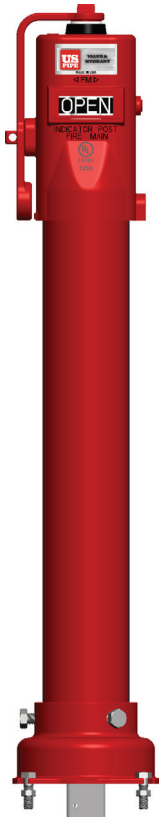


Non-Adjustable Post Indicator

**U.S.
PIPE**
**VALVE &
HYDRANT**


PRODUCT FEATURES

- Available in three lengths with optional extensions.
- Compatible with 4" – 24"/DN100 – DN600 post indicator valves, requiring 14 to 75 turns respectively to open.
- Models: U-20808 4" – 14"/DN100 – DN350 valves; U-20809 16" – 24"/DN400 – DN600 valves.
- Open left or right options.
- Withstands up to 900 ft.-lbs. (1220Nm) of operating torque.
- Lockable Operating Wench storage prevents tampering.
- ½" NPT tapped boss for mounting optional supervisory switch.
- UL listed (4" – 24"/DN100 – DN600); FM approved (4" – 16"/DN100 – DN400).

Extension Section and Stem

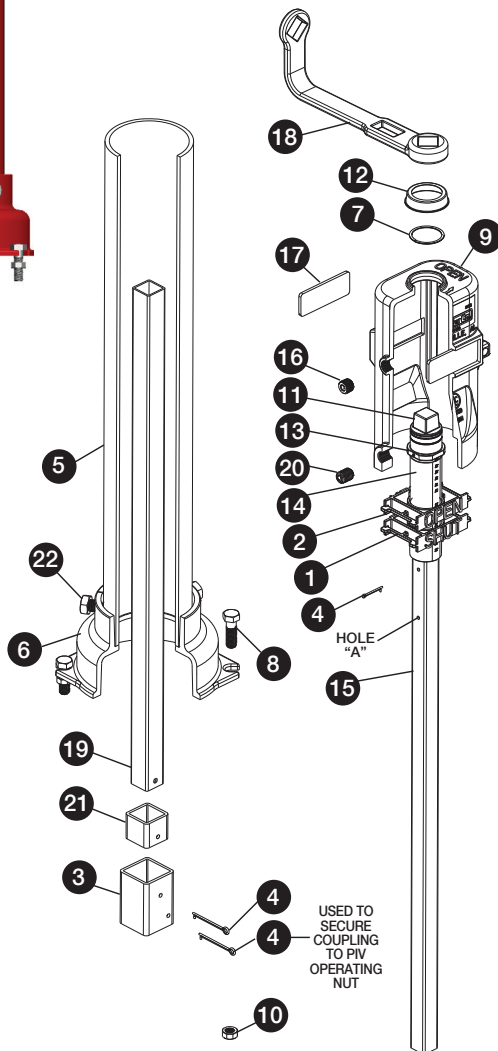
Lengths: 1' (300mm), 1'6" (450mm), 2' (600mm), 2'6" (750mm), 3' (900mm), 3'6" (1.05m), 4' (1.20m), 4'6" (1.35m), 5' (1.5m).

PARTS LIST

| ID | PART NAME | MATERIAL |
|----|------------------------------|-------------------------------------|
| 1 | SHUT Target | Nylon |
| 2 | OPEN Target | Nylon |
| 3 | Coupling | Steel ASTM A500 GR.B |
| 4 | Cotter Pin (2 long, 1 short) | Brass ASTM B21 |
| 5 | Barrel | Steel Pipe Schedule 40 |
| 6 | Bell | Ductile Iron ASTM A536 |
| 7 | Retaining Ring | Stainless Steel AISI 302 |
| 8 | Hex Bolt | Steel/Zinc Plated ASTM A307 GR.A |
| 9 | Post Head | Cast Iron ASTM A126 CL.B |
| 10 | Hex Nut | Steel/Zinc Plated ASTM A563 GR.A |
| 11 | Operating Nut | Ductile Iron ASTM A536 GR.65-45-12 |
| 12 | Cap | Polypropylene |
| 13 | Spring Pin | Stainless Steel AISI 420 |
| 14 | Threaded Sleeve | Nylon |
| 15 | Upper Stem | Steel ASTM A513 |
| 16 | Pipe Plug- Hex Socket | Steel |
| 17 | Window | Plexiglass |
| 18 | Wrench | Ductile Iron ASTM A536 (See Note 1) |
| 19 | Lower Stem | Steel ASTM A500 GR.B |
| 20 | Socket Head Set Screw | Steel ANSI B18.3 |
| 21 | Coupling Insert | Steel ASTM A500 GR.B |
| 22 | Hex HD Screw | Steel/Zinc Plated ASTM 307 GR.B |

Notes:

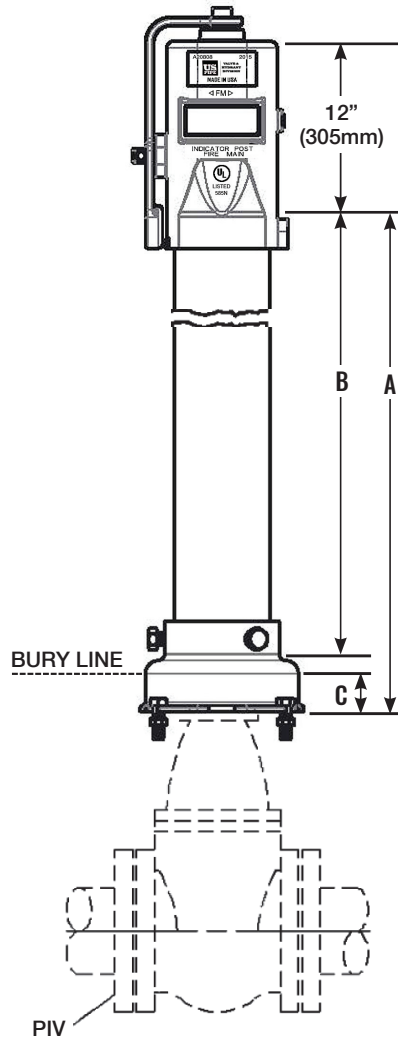
1. The Wrench (#18) is made of Ductile Iron on the 4" – 14"/DN100 – DN350 valves and Steel on the 16" – 24"/DN400 – DN600 valves.



Non-Adjustable Post Indicator



**VALVE &
HYDRANT**



BARREL DIMENSIONS – Inches (mm)

| SIZE No. | A | B | C |
|----------|--------------------------------------|----------|----------|
| 0 | 26 ⁵ / ₈ (676) | 24 (610) | 2 (51) |
| 1 | 32 ⁵ / ₈ (829) | 30 (762) | 8 (203) |
| 2 | 38 ⁵ / ₈ (981) | 36 (914) | 14 (356) |

DIMENSIONS – Feet/Inches (mm), WEIGHT – Lb (Kg)

| VALVE SIZE | SIZE NUMBER | | |
|-----------------------|-------------|--------------|-------------|
| | 0 | 1 | 2 |
| 4"/DN100 | 1'3" (381) | 1'9" (533) | 2'3" (686) |
| 6"/DN150 | 1'8" (508) | 2'2" (660) | 2'8" (813) |
| 8"/DN200 | 2'1" (635) | 2'7" (787) | 3'1" (941) |
| 10"/DN250 | 2'5" (737) | 3'11" (1194) | 4'5" (1348) |
| 12"/DN300 | 2'9" (838) | 3'3" (991) | 3'9" (1143) |
| 14"/DN350 | 3'3" (991) | 3'9" (1143) | 4'3" (1295) |
| 16"/DN400 | 3'7" (1092) | 4'1" (1245) | 4'7" (1397) |
| 18"/DN450 | 4'2" (1270) | 4'8" (1422) | 5'2" (1575) |
| 20"/DN500 | 4'6" (1372) | 5'0" (1524) | 5'6" (1676) |
| 24"/DN600 | 5'3" (1600) | 5'9" (1753) | 6'3" (1905) |
| WEIGHT-Lb (Kg) | 84 (38.2) | 92 (41.8) | 100 (45.5) |