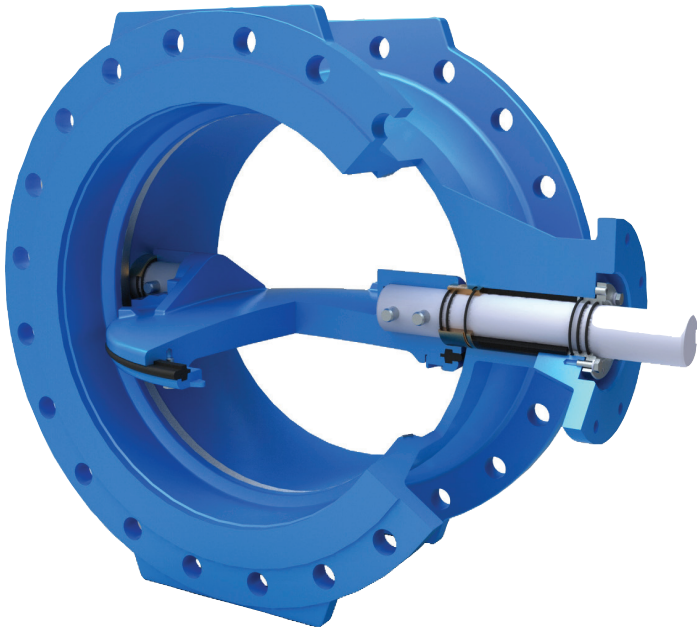


ISO-DE Butterfly Valve

DN100-DN1800

PRATT®

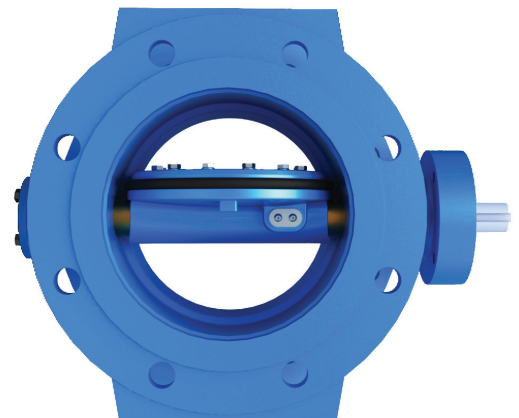


PRODUCT FEATURES

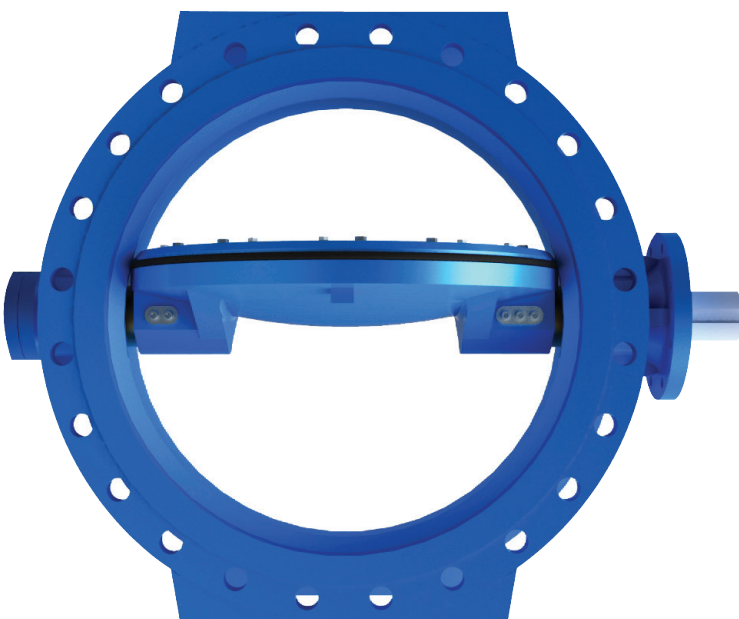
- Model: ISO-DE (Double Eccentric) Flanged Butterfly Valve.
- DN100 – DN1800.
- Pressure Class: PN10 or PN16.
- Body Style: Short (ISO-DES) and Long (ISO-DEL). Body face to face, flanged ends drilled in accordance with EN-558-1/ISO 5752/BS EN 1092.
- Ductile iron Body and Disc, ASTM A536 Gr. 65-45-12 standard.
- Rubber Seat mechanically retained in disc by means of a specially engineered stainless steel Seat Retaining Ring and stainless steel nylon Lock Screws.
- Actuation Options: Gear with Handwheel (standard), Hydraulic Actuation, Pneumatic Actuation, Electric Actuation.
- Epoxy coating system approved for drinking water applications. Fusion bonded epoxy coating on valves up to DN1200 standard.
- Range of Applications: Water, sea water*, high temperature*, gas*.
- Stainless steel dry shaft, shaft completely sealed by rubber O-Rings on sealing sleeve and dry pins.
- Teflon lined filament wound bearings for long service life and lower operating torque.
- The design of the seal retaining ring allows the disc to seal tightly while retaining the seat in position against high pressure and flow.
- Specially engineered seat sealing system gives longer service life and lower operating torque.

* Available for these applications upon request.
Please contact Pratt or your local sales representative for details.

DN100 - DN250
Single Shaft Design



DN300 - DN1800
Dual Shaft Design



Mueller Co.

Reliable Connections®

Mueller Co. International Division • 6125 Preservation Dr., Suite 200 • Chattanooga, TN 37416 USA
p +1.423.490.9555 • f +1.423.531.0033 • international@muellercompany.com • mueller-international.com

Form 13013 – Rev 10/16

ISO-DE Butterfly Valve

DN100-DN1800



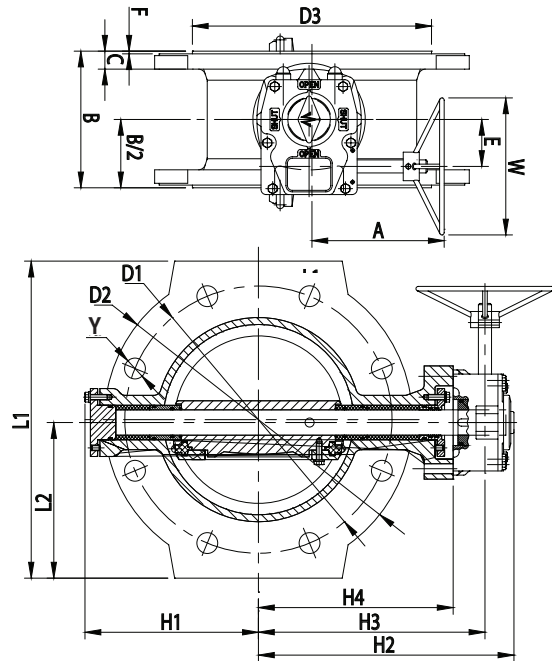
PN10 AND PN16 DIMENSIONS - inches (mm)

Valve Size	B-Short	B-Long	F	H1	H4	ISO5211
DN100	127	190	3	110	140	F07
DN125	140	200	3	126	155	F07
DN150	140	210	3	156	185	F10
DN200	152	230	3	192	215	F10
DN250	165	250	3	217	260*	F10
DN300	178	270	4	238	280	F12
DN350	190	290	4	277	320	F12
DN400	216	310	4	319	358	F14**
DN450	222	330	4	368	385	F14
DN500	229	350	4	387	425	F16**
DN600	267	390	5	447	510	F25
DN700	292	430	5	527	550	F25
DN800	318	470	5	589	585	F25
DN900	330	510	5	654	650	F30
DN1000	410	550	5	709	704	F30
DN1200	470	630	5	842	835	F35
DN1400	530	710	5	980	987	F40
DN1600	600	790	5	1124	1122	F40
DN1800	670	870	5	1237	1232	F40

*Dimension shown is PN10 dimension. PN16: DN250 – 245.

**ISO5211 shown is PN10. PN16: DN400 – F12, DN500 – F14.

NOTE: Act. Code = Actuator Code



PN10 DIMENSIONS - inches (mm)

Valve Size	A	C	D1	D2	D3	E	H2	H3	L1	L2	W	No.-ØYmm	Act Code
DN100	132	19	180	220	156	39	198	167	226	111	200	8 - Ø19	M07
DN125	132	19	210	250	184	39	213	182	256	126	200	8 - Ø19	M07
DN150	142	19	240	285	211	52	252	220	300	148	200	8 - Ø23	M10
DN200	142	20	295	340	266	52	282	250	350	172	200	8 - Ø23	M10
DN250	142	22	350	400	319	52	327	295	410	202	200	12 - Ø23	M10
DN300	214	25	400	455	370	67	361	322	464	229	200	12 - Ø23	M12
DN350	214	25	460	505	429	67	401	362	530	262	200	16 - Ø23	M12
DN400	214	25	515	565	480	67	439	400	576	285	200	16 - Ø28	M12
DN450	256	26	565	615	530	90	479	435	624	309	400	20 - Ø28	M14
DN500	256	27	620	670	582	90	519	475	680	337	400	20 - Ø28	M14
DN600	357	30	725	780	682	154	637	560	790	391	400	20 - Ø31	M16
DN700	357	33	840	895	794	154	677	600	895	444	400	24 - Ø31	M16
DN800	357	35	950	1015	901	154	712	635	1015	504	400	24 - Ø34	M16
DN900	456	38	1050	1115	1001	185	820	730	1115	554	500	28 - Ø34	M30
DN1000	456	40	1160	1230	1112	185	874	784	1230	611	500	28 - Ø37	M30
DN1200	591	45	1380	1455	1328	235	1059	930	1455	724	600	32 - Ø40	M40
DN1400	648	46	1590	1675	1530	305	1259	1102	1675	834	600	36 - Ø43	M50
DN1600	648	49	1820	1915	1750	305	1394	1237	1915	954	600	40 - Ø49	M50
DN1800	648	52	2020	2115	1950	305	1504	1347	2115	1054	600	44 - Ø49	M55

PN16 - inches (mm)

Valve Size	A	C	D1	D2	D3	E	H2	H3	L1	L2	W	No.-ØYmm	Act Code
DN100	132	19	180	220	156	39	198	167	226	111	200	8 - Ø19	M07
DN125	132	19	210	250	184	39	213	182	256	126	200	8 - Ø19	M07
DN150	142	19	240	285	211	52	252	220	300	148	200	8 - Ø23	M10
DN200	142	20	295	340	266	52	282	250	350	172	200	8 - Ø23	M10
DN250	142	22	355	400	319	52	312	280	410	202	200	12 - Ø28	M10
DN300	214	25	410	455	370	67	361	322	464	229	200	12 - Ø28	M12
DN350	214	26	470	520	429	67	401	362	530	262	200	16 - Ø28	M12
DN400	214	28	525	580	480	67	439	400	590	292	200	16 - Ø31	M12
DN450	256	30	585	640	548	90	479	435	650	322	400	20 - Ø31	M14
DN500	243	32	650	715	609	123	530	475	724	359	400	20 - Ø34	M15
DN600	356	36	770	840	720	154	637	560	850	421	400	20 - Ø37	M16
DN700	356	40	840	910	794	154	677	600	910	451	400	24 - Ø37	M16
DN800	422	43	950	1025	901	146	727	643	1025	509	500	24 - Ø30	M20
DN900	456	47	1050	1125	1001	185	820	730	1125	559	500	28 - Ø40	M30
DN1000	460	50	1170	1255	1112	235	928	799	1255	624	600	28 - Ø43	M40
DN1200	648	57	1390	1485	1328	305	1107	950	1485	739	600	32 - Ø49	M50
DN1400	648	60	1590	1685	1530	305	1259	1102	1685	839	600	36 - Ø49	M50
DN1600	648	65	1820	1930	1750	305	1394	1237	1930	961	600	40 - Ø56	M50
DN1800	1015	70	2020	2130	1950	495	1605	1456	2130	1061	800	44 - Ø56	M70



Copyright © 2016 Henry Pratt Company, LLC. All Rights Reserved.

The trademarks, logos and service marks displayed in this document herein are the property of Henry Pratt Company, LLC, its affiliates or other third parties. These products are intended for use in potable water applications. Please contact your Pratt Sales or Customer Service Representative concerning any other application(s).