

A-USP1 Resilient Wedge Gate Valve

IFP: 14" – 24"/DN350 – DN600

**U.S.
PIPE**
**VALVE &
HYDRANT**


PRODUCT FEATURES

- Industrial Fire Protection (IFP) – Non-Rising Stem (NRS) Gate Valve.
- 2" square Operating Nut (optional Handwheel).
- 14" – 24"/DN350 – DN600. Larger valves through 54"/DN1350 also available.
- All Ductile Iron Body and Bonnet.
- Mueller Pro-Gard® 2-Pass Fusion Bonded Epoxy Coating covers all cast surfaces inside and out – 10 mils (250 µm) minimum. Meets requirements of AWWA/ANSI C550.
- Meets requirements of AWWA/ANSI C515 and is certified to ANSI/NSF 61 & 372.
- Silicon Bronze Stem.
- 316 Bolts, Nuts and Washers.
- Antifriction washer above and below thrust collar.
- Ductile Iron Wedge, symmetrical and fully encapsulated with molded EPDM rubber; no exposed iron.
- 10-year limited warranty.
- Pressure rating: AWWA 250psig/17barg. UL/FM rating: 14" & 16"/DN350 & DN400 250psig/17barg; 18" – 24"/DN450 – DN600 UL rating 175psig/12barg, FM rating 250psig/17barg.
- End connection: Flange ANSI B16.1 Class 125 Flat Face. 14" & 16"/DN350 & DN400 optional PN10, PN16 drilling. Fitted with Flange Protectors as standard.
- API598 Test Duration.

PARTS LIST

ID	PART NAME	MATERIAL
1	Wrench Nut	Cast Iron* ASTM A126 CL.B
2	Wrench Nut Cap Screw	316 Stainless Steel
3	Stem O-Rings	EPDM ASTM D2000
4	Stuffing Box	Ductile Iron ASTM A536**
5	Stuffing Nuts and Bolts	316 Stainless Steel
6	Stuffing Box O-Ring	EPDM ASTM D2000
7	Anti Friction Washers	Acetal
8	Stem	Silicon Bronze (See Note 1)
9	Bonnet	Ductile Iron ASTM A536**
10	Bonnet Nuts and Bolts	316 Stainless Steel
11	Bonnet O-Ring	EPDM ASTM D2000
12	Stem Nut	Bronze ASTM B62
13	Body	Ductile Iron ASTM A536**
14	Wedge	Ductile Iron ASTM A536** (See Note 2)
15	Guide Cap Bearings	Acetal
16	Hand Wheel (not shown)	Cast Iron* ASTM A126 CL.B

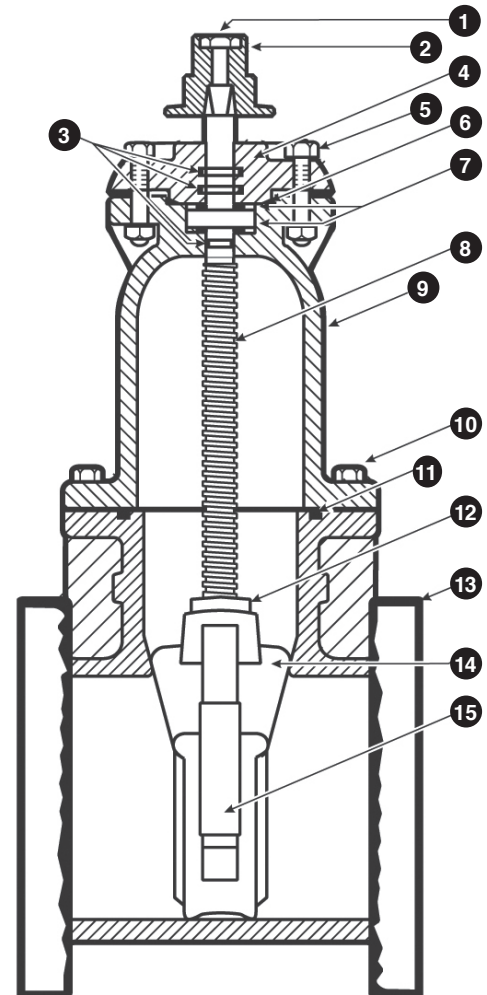
*Manufacturers option to change to Ductile Iron ASTM A536.

**ASTM A536 Ductile Iron Grade 65-45-12 (minimum strength).

Notes:

1. 14" & 16"/DN350 & DN400 ASTM B98 (C66100); 18" – 24"/DN450 – DN600 ASTM B763 (C99400).

2. ASTM A536 Fully encapsulated in EPDM ASTM D2000 molded rubber with no iron exposed.

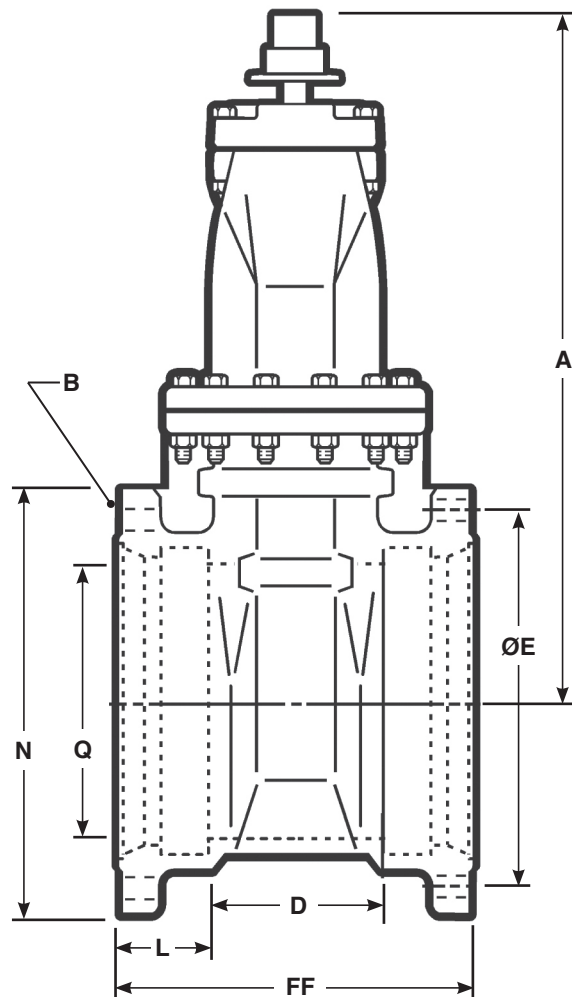


A-USP1 Resilient Wedge Gate Valve

IFP: 14" – 24"/DN350 – DN600



**VALVE &
HYDRANT**



DIMENSIONS – inches (mm)

Valve Size	A	D	ØE	FF	L	N	Q	WT – lbs (kg)
14"/DN350	32.75 (832)	12.36 (314)	18.75 (476)	19.75 (502)	3.50 (89)	20.62 (524)	14.38 (365)	695 (316)
16"/DN400	37.88 (962)	12.55 (319)	21.00 (533)	19.75 (502)	3.50 (89)	22.56 (573)	16.00 (400)	846 (385)
18"/DN450	44.19 (1122)	13.90 (353)	23.25 (590)	21.00 (533)	3.50 (89)	24.88 (632)	18.38 (467)	1274 (579)
20"/DN500	48.25 (1225)	14.13 (359)	25.50 (648)	21.50 (546)	3.50 (89)	27.01 (686)	20.38 (518)	1820 (827)
24"/DN600	53.88 (1369)	16.06 (408)	30.00 (762)	23.50 (597)	3.50 (89)	31.88 (810)	24.38 (619)	2438 (1108)

NUMBER AND SIZE OF HOLES (B) – inches (mm)*

Valve Size	14"/DN350	16"/DN400	18"/DN450	20"/DN500	24"/DN600
FLANGED	12 – 1.12" (28)	16 – 1.12" (28)	16 – 1.25" (32)	20 – 1.25" (32)	20 – 1.38" (35)
MJ	10 – .88" (22)	12 – .88" (22)	12 – .88" (22)	14 – .88" (22)	16 – .88" (22)

*For ANSI B16.1 Class 125 flanges.