

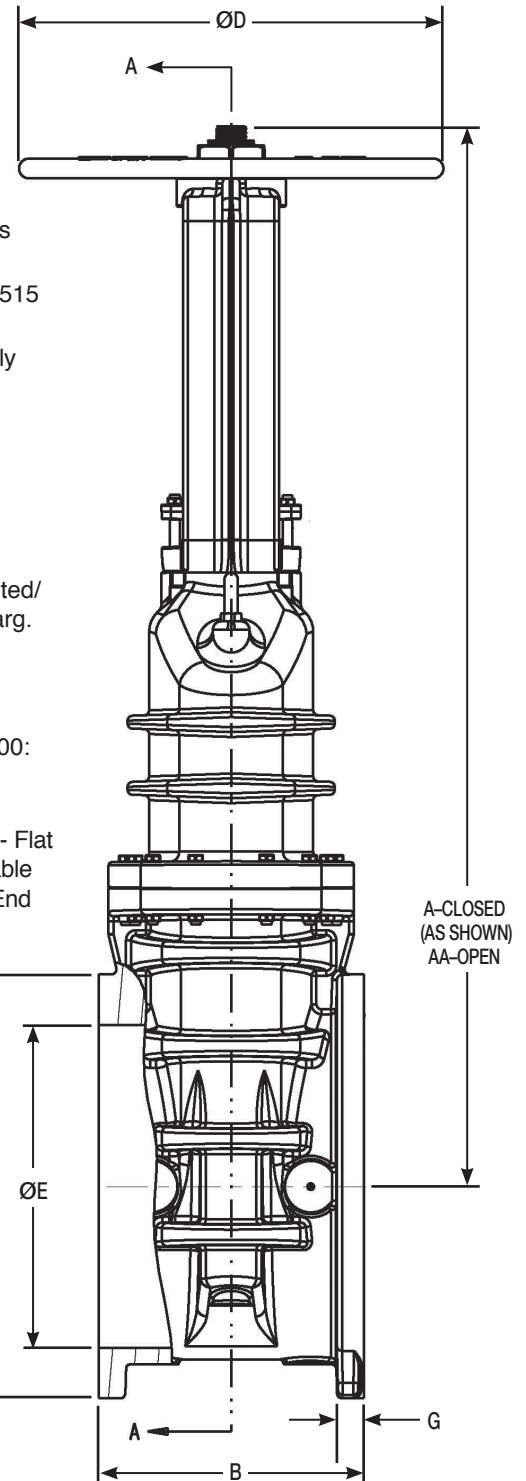
# R-2361 Resilient Wedge Gate Valve

IFP – OS&amp;Y: 14" – 24"/DN350 – DN600

**Mueller Co.**18"/DN450  
shown

## PRODUCT FEATURES

- Industrial Fire Protection (IFP, Outside Screw & Yoke (OS&Y) Gate Valve.
- 14" – 24"/DN350 – DN600.\*
- Mueller Pro-Gard® 2-Pass Fusion Bonded Epoxy Coating covers all cast surfaces inside and out – 10 mils (250µm) minimum. Meets requirements of AWWA/ANSI C550.
- Meets requirements of AWWA/ANSI C515 and is certified to ANSI/NSF 61 & 372.
- Ductile Iron wedge, symmetrical and fully encapsulated with molded rubber; no exposed iron.
- Polymer cap bearings on wedge guide.
- Everdur Bronze Stem
- 316 Bolts, Nuts & Washers.
- 10-year limited warranty.
- 14" & 16"/DN350 & DN400: UL 262 Listed/ FM 1120/1130 Approved 250psig/17barg.
- 18" – 24"/DN450 – DN600: UL 262 Listed 175psig/12barg, FM Approved 250psig/17barg.
- AWWA C-515 14" – 24"/DN350 – DN600: 250psig/17barg.
- Flange End drilling meets: ANSI B16.1, Class 125 and ANSI B16.42, Class150 - Flat Face. 14" & 16"/DN350 & DN400 available with PN10 or PN16 drilling. Fitted with End Covers as standard.
- API598 Test Duration.



Valve Size	Weight - lbs (kg)
14"/DN350	775 (352)
16"/DN400	960 (435)
18"/DN450	1657 (752)
20"/DN500	2239 (1016)
24"/DN600	2899 (1315)

## DIMENSIONS – Inches (mm)

Valve Size	A-Closed	AA-Open	B	C**
14"/DN350	49.13 (1248)	64.09 (1628)	15.06 (383)	24.92 (633)
16"/DN400	54.63 (1387)	71.19 (1808)	16.06 (408)	26.58 (675)
18"/DN450	67.82 (1723)	87.81 (2230)	17.00 (432)	30.50 (775)
20"/DN500	75.56 (1843)	94.35 (2396)	18.00 (457)	33.75 (857)
24"/DN600	82.42 (2093)	108.19 (2748)	20.00 (508)	39.50 (1003)

Valve Size	ØD	ØE Thru Ø	ØF	G
14"/DN350	18.00 (457)	14.38 (365)	21.00 (533)	1.42 (36)
16"/DN400	18.00 (457)	16.00 (406)	23.50 (597)	1.05 (27)
18"/DN450	32.00 (813)	18.38 (467)	25.00 (635)	1.05 (27)
20"/DN500	32.00 (813)	20.38 (518)	27.50 (698)	1.78 (45)
24"/DN600	32.00 (813)	24.38 (619)	32.00 (813)	1.25 (32)

\*\*C dimension is the overall width of the bonnet flange.

\*Resilient wedge OS&amp;Y valves with similar performance and features, but different bonnet construction and bolting are available in 2" – 12"/DN50 – DN300 sizes, model R-2361.

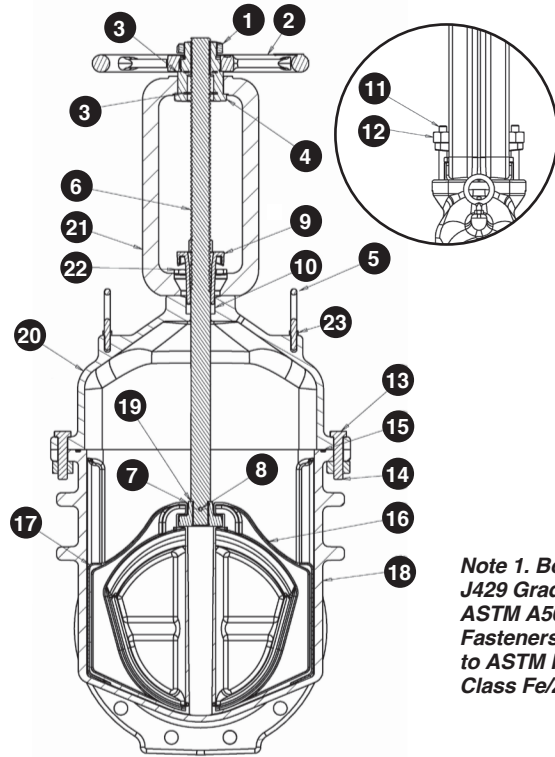
# R-2361 Resilient Wedge Gate Valve

IFP – OS&Y: 14” – 24”/DN350 – DN600



## 14” & 16”/DN350 & DN400 PARTS LIST

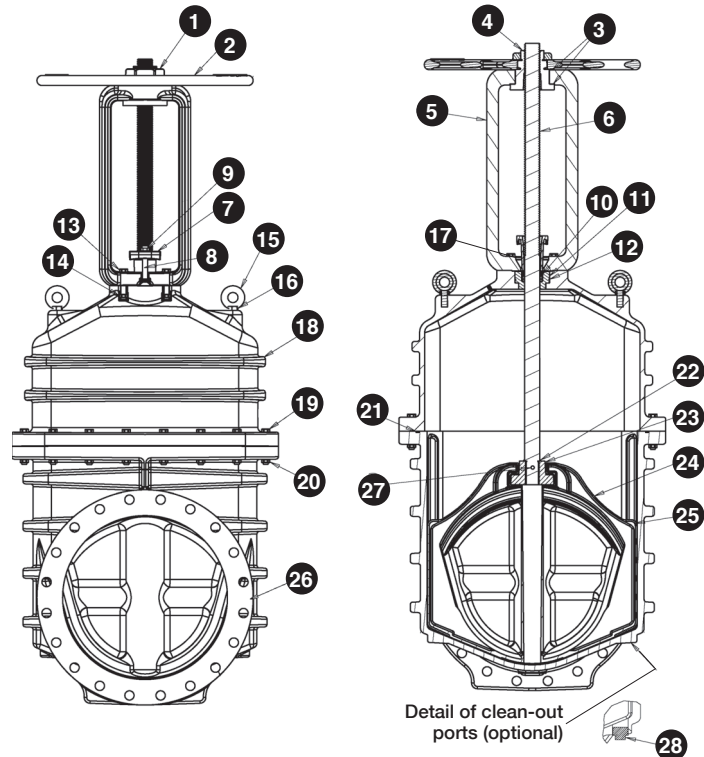
ID	PART NAME	MATERIAL
1	Cap Nut	Bronze ASTM B62
2	Handwheel	Cast Iron ASTM A126
3	Washer	Brass ASTM B36
4	Bush Nut	Bronze ASTM B584
5	Eyebolt	Forged Steel
6	Stem	Silicon Bronze ASTM B98 (C66100)
7	Wedge Nut	Bronze ASTM B62
8	Pin	Silicon Bronze ASTM B98
9	Gland Flange	Ductile Iron ASTM A536
10	Stem Packing	Lube Flax
11	Gland Bolt	See Note 1
12	Gland Nut	Silicon Bronze ASTM B98
13	Bonnet Bolt	316 Stainless Steel
14	Bonnet Nut	316 Stainless Steel
15	O-Ring	EPDM ASTM D2000
16	Wedge Rubber/Wedge Casting	EPDM ASTM D2000/Ductile Iron A536
17	Guide Cap	Acetal
18	Body	Ductile Iron ASTM A536
19	O-Ring	EPDM ASTM D2000
20	Bonnet	Ductile Iron ASTM A536
21	Yoke	Cast Iron ASTM A126
22	Cap Screw	316 Stainless Steel
23	Hex Nut	316 Stainless Steel



**Note 1. Bolts – SAE J429 Grade 2, Nuts – ASTM A563 Grade A, Fasteners – Plated to ASTM F1941 Class Fe/Zn 12C.**

## 18” – 24”/DN450 – DN600 PARTS LIST

ID	PART NAME	MATERIAL
1	Cap Nut	Bronze ASTM B62
2	Handwheel	Ductile Iron ASTM A536
3	Thrust Washer	Brass ASTM B36
4	Bush Nut	Bronze ASTM B584
5	Yoke	Ductile Iron ASTM A536
6	Stem	Silicon Bronze ASTM B763 (C99400)
7	Gland Flange	Ductile Iron ASTM A536
8	Gland Bolt	316 Stainless Steel
9	Gland Nut	Silicon Bronze ASTM B98
10	Stem Packing	Lube Flax
11	Bonnet Bushing	Bronze ASTM B62
12	Bushing O-Ring	EPDM ASTM D2000
13	Yoke Bolt	316 Stainless Steel
14	Yoke Nut	316 Stainless Steel
15	Eyebolt	Steel
16	Eyebolt Nut	Steel
17	Cap Screw	Carbon Steel ASTM A307
18	Bonnet	Ductile Iron ASTM A536
19	Bonnet Bolt	316 Stainless Steel
20	Bonnet Nut	316 Stainless Steel
21	Bonnet O-Ring	EPDM ASTM D2000
22	Stem O-Ring	EPDM ASTM D2000
23	Wedge Nut	Bronze ASTM B62
24	Wedge	EPDM/Ductile Iron ASTM A563
25	Guide Cap	Acetal
26	Body	Ductile Iron ASTM A536
27	Pin	Silicon Bronze ASTM B98
28	Pipe Plug	316 Stainless Steel



Copyright © 2017 Mueller Co., LLC. All Rights Reserved. The trademarks, logos and service marks displayed in this document herein are the property of Mueller Co., LLC, its affiliates or other third parties. Products marked with a section symbol ( § ) are subject to patents or patent applications. For details, visit [www.mwppat.com](http://www.mwppat.com). These products are intended for use in potable water applications. Please contact your Mueller Sales or Customer Service Representative concerning any other application(s).