

# R-2361 Resilient Wedge Gate Valve

OS&amp;Y: 2" – 12"/DN50 – DN300



Image shown with 2" – 6"/DN50 – DN150 bonnet/yoke combo. 8" – 12"/DN200 – DN300 bonnet and yoke are two pieces. Contact Mueller Co. for option details.



## PRODUCT FEATURES

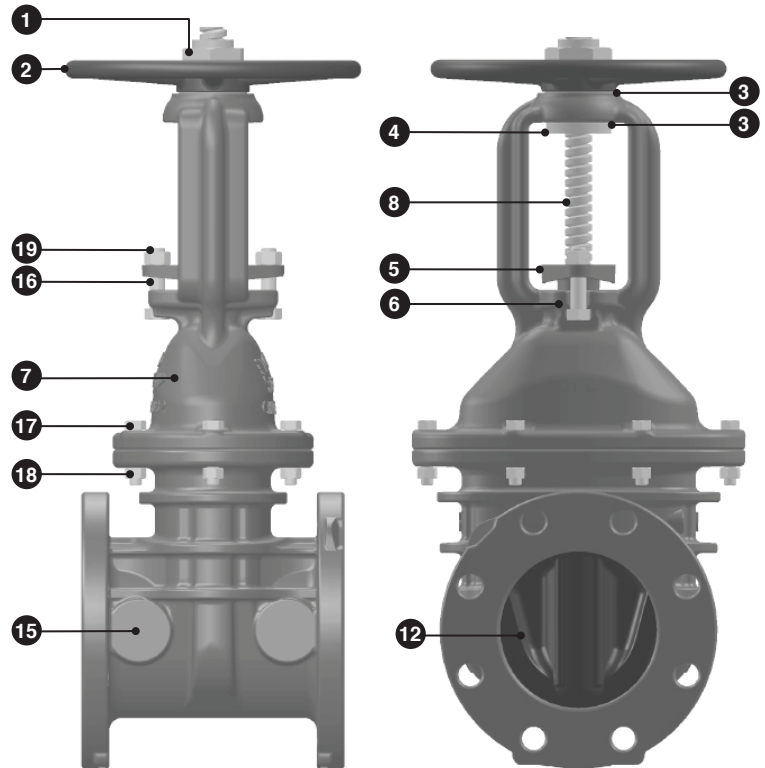
- Outside Screw & Yoke (OS&Y).
- Iron Body, Bonnet, and Yoke.
- Mueller Pro-Gard® Fusion Bonded Epoxy Coating covers all cast surfaces inside and out – 10 mils (250 $\mu$ ) nominal. Meets requirements of AWWA/ANSI C550.
- Meets requirements of AWWA/ANSI C515 and is certified to ANSI/NSF 61 & 372.
- Iron wedge, symmetrical and fully encapsulated with molded rubber; no exposed iron.
- Polymer cap bearings on wedge guides resist wear and provide easy operation.
- Bi-directional flow.
- 10-year limited warranty.
- 2" – 3"/DN50 – DN80: 250psig/17barg WP, 500psig/34barg UL/FM TP; 4" – 12"/DN100 – DN300: 350psig/24barg AWWA/UL/FM WP, 700psig/48barg TP.
- UL listed, FM approved.
- Flange End drilling meets: ANSI B16.1, Class 125 and ANSI B16.42, Class 150 Flat Face. Optional PN10, PN16 drilling.

## PARTS LIST

ID	PART NAME	MATERIAL	
1	Cap Nut	Bronze ASTM B62/B584	
2	Handwheel	Ductile Iron ASTM A536	
3	Thrust Washer	Brass	
4	Bush Nut	Bronze ASTM B62	
5	Gland Flange	Ductile Iron ASTM A536	
6	Stem Packing**	Lube Flax	
7	Bonnet Yoke	Ductile Iron ASTM A536	
8	Stem (See Note 1)	Manganese Bronze ASTM B138 (C67600)	
		Silicon Bronze ASTM B98 (C66100)	
		304 Stainless Steel	ASTM A276 &
		316 Stainless Steel	ASTM A473
9	O-Ring	Nitrile ASTM D2000	
10	Wedge Nut	Bronze ASTM B584	
11	Pin. Type E	304 Stainless Steel	
12	Wedge	See Note 2	
13	Guide Cap	Acetal	
14	Bonnet Gasket	Nitrile ASTM D2000	
15	Body	Ductile Iron ASTM A536	
16	Gland Bolt	316 Stainless Steel ASTM F593	
17	Bonnet Bolt	316 Stainless Steel ASTM F593	
18	Bonnet Nut	316 Stainless Steel ASTM F594	
19	Gland Nut	Silicon Bronze ASTM B98	

## \*\*STEM PACKING INFORMATION

Valve Size	2"/DN50, 2 1/2"/DN65, 3"/DN80	4"/DN100	6"/DN150	8"/DN200	10"/DN250	12"/DN300
Part No. / Quantity	175972 / 4	176477 / 4	170712 / 4	175937 / 4	175975 / 4	170749 / 3
Size – inches (mm)	1/4 (6) x 3 5/8 (92)	1/4 (6) x 4 1/4 (108)	5/16 (8) x 4 3/4 (121)	5/16 (8) x 5 1/8 (130)	5/16 (8) x 5 1/2 (133)	3/8 (10) x 6 3/8 (161)



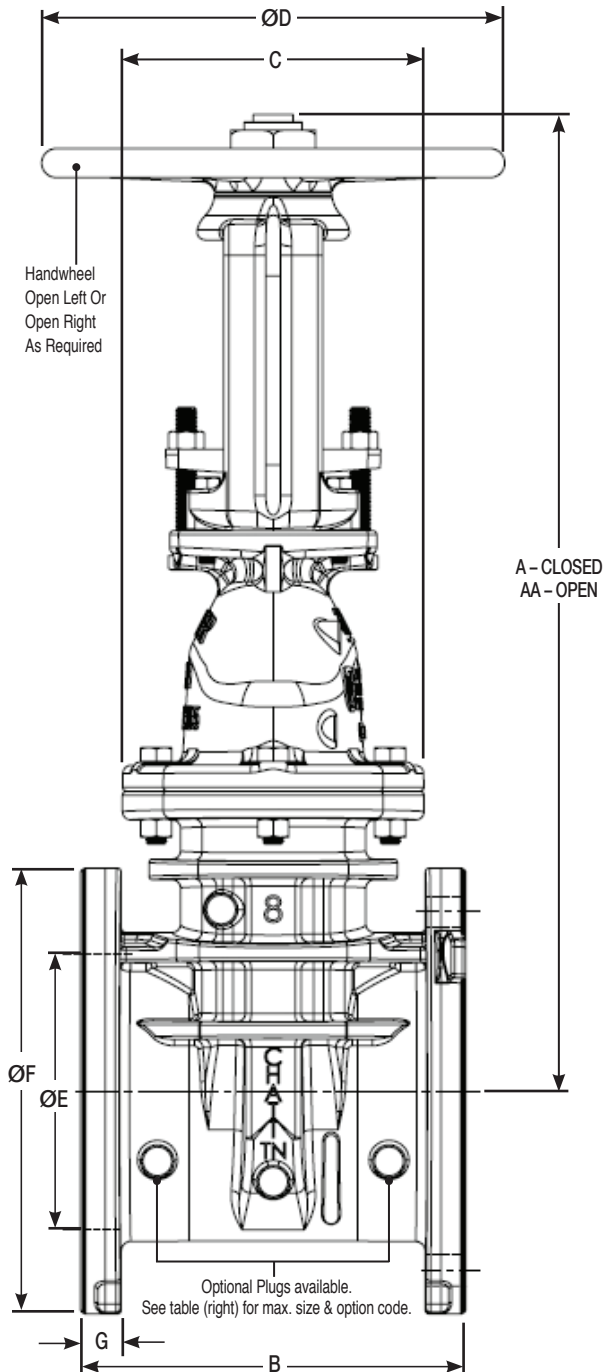
### Notes:

1. Standard Stem is Manganese Bronze ASTM B138 (C67600). Other Stem Material options available to special order.

2. 2" – 3"/DN50 – DN80 Rubber Encapsulated Grey Iron Wedge Rubber – SBR ASTM D2000. Manufacturer's option to upgrade to Ductile Iron ASTM A536. 4" – 12"/DN100 – DN300 Rubber Encapsulated Ductile Iron Wedge Rubber – SBR ASTM D2000.

# R-2361 Resilient Wedge Gate Valve

OS&Y: 2" – 12"/DN50 – DN300



## DIMENSIONS – Inches (mm)

Valve Size	A-Closed	AA-Open	B	C*
2"/DN50	14.09 (357)	16.69 (424)	7.00 (178)	7.02 (178)
2½"/DN65	15.91 (404)	19.56 (497)	7.50 (191)	8.63 (219)
3"/DN80	15.66 (398)	19.31 (490)	8.00 (203)	8.63 (219)
4"/DN100	19.00 (483)	23.68 (601)	9.00 (229)	10.79 (274)
6"/DN150	24.50 (622)	31.38 (797)	10.50 (267)	13.50 (343)
8"/DN200	29.50 (749)	38.50 (978)	11.50 (292)	16.36 (416)
10"/DN250	35.75 (908)	47.00 (1194)	13.00 (330)	19.99 (508)
12"/DN300	40.50 (1028)	53.50 (1359)	14.00 (356)	21.00 (533)

Valve Size	ØD	ØE Thru Ø	ØF	G
2"/DN50	7.00 (178)	2.30 (58)	6.00 (152)	0.68 (17)
2½"/DN65	7.00 (178)	2.80 (71)	7.00 (178)	0.75 (19)
3"/DN80	7.00 (178)	3.30 (84)	7.50 (191)	0.80 (20)
4"/DN100	10.00 (254)	4.31 (109)	9.00 (229)	1.03 (26)
6"/DN150	12.00 (305)	6.30 (160)	11.00 (279)	1.07 (27)
8"/DN200	14.00 (356)	8.30 (211)	13.50 (343)	1.19 (30)
10"/DN250	16.00 (406)	10.30 (262)	16.00 (406)	1.29 (33)
12"/DN300	16.00 (406)	12.30 (312)	19.00 (483)	1.35 (34)

\*C dimension is the overall width of the bonnet flange.

## OPTIONAL PLUGS

Valve Size	R2361 Max. Tap Size
2"/DN50	¾" (19)
2½"/DN65	½" (13)
3"/DN80	½" (13)
4"/DN100	¾" (19)
6"/DN150	1" (25)
8"/DN200	1¼" (32)
10"/DN250	1¼" (32)
12"/DN300	2" (50)

Option No.	Tap Size
0008	½" (13)
0209	¾" (19)
0062	1" (25)
0355	¾" (19)
0070	1¼" (32)
0366	1½" (38)

## WEIGHT – lb. (kg)

Valve Size	2"/DN50	2½"/DN65	3"/DN80	4"/DN100	6"/DN150	8"/DN200	10"/DN250	12"/DN300
Weight	41 (19)	64 (29)	65 (29)	96 (44)	150 (68)	230 (104)	348 (158)	477 (216)



Copyright © 2017 Mueller Co., LLC. All Rights Reserved. The trademarks, logos and service marks displayed in this document herein are the property of Mueller Co., LLC, its affiliates or other third parties. Products marked with a section symbol ( § ) are subject to patents or patent applications. For details, visit [www.mwppat.com](http://www.mwppat.com). These products are intended for use in potable water applications. Please contact your Mueller Sales or Customer Service Representative concerning any other application(s).