

R-USP1 Resilient Wedge Gate Valve

OS&Y: 2" – 12"/DN50 – DN300



VALVE & HYDRANT



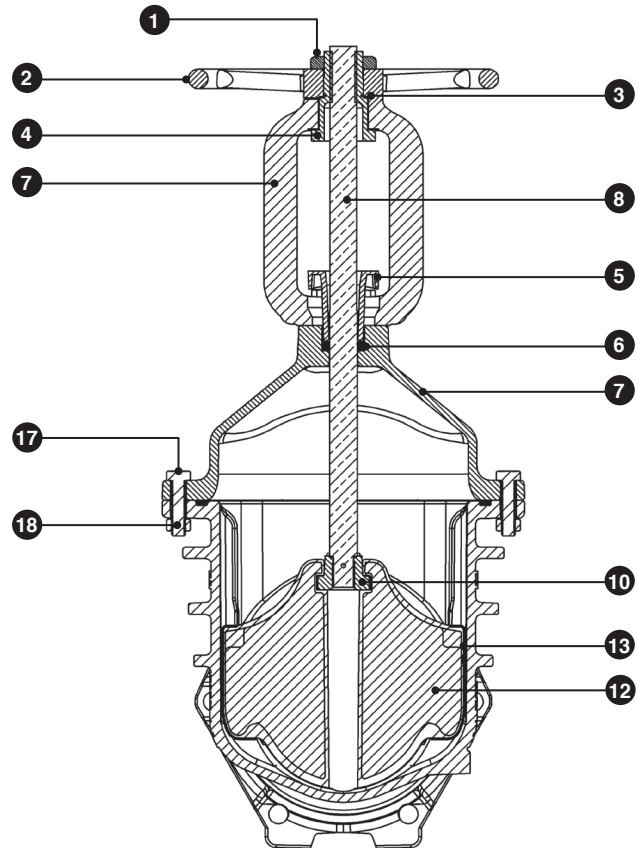
Image shown
2" – 6"/DN50 – DN150
bonnet/yoke combo.
8" – 12"/DN200 – DN300
bonnet and yoke are
two pieces. Contact
Mueller Co. for option
details.

PRODUCT FEATURES

- Outside Screw & Yoke (OS&Y).
- Iron Body, Bonnet, and Yoke.
- Mueller Pro-Gard® Fusion Bonded Epoxy Coating covers all cast surfaces inside and out – 10 mils (250 μ) nominal. Meets requirements of AWWA / ANSI C550.
- Meets requirements of AWWA / ANSI C515 and is certified to ANSI / NSF 61 & 372.
- Iron wedge, symmetrical and fully encapsulated with molded rubber; no exposed iron.
- Polymer cap bearings on wedge guides resist wear and provide easy operation.
- Bi-directional flow.
- 10-year limited warranty.
- 2" – 12"/DN50 – DN300:
350 psig / 24 barg AWWA / UL / FM WP,
700 psig / 48 barg TP.
- UL 262 listed, FM 1120 / 1130 approved.
- Flange End drilling meets: ANSI B16.1, Class 125 and ANSI B16.42, Class 150 Flat Face. Optional PN10, PN16 drilling.

PARTS LIST

ID	PART NAME	MATERIAL
1	Cap Nut	Bronze ASTM B62 / B584
2	Handwheel	Ductile Iron ASTM A536
3	Thrust Washer	Brass
4	Bush Nut	Bronze ASTM B62
5	Gland Flange	Ductile Iron ASTM A536
6	Stem Packing*	Lube Flax
7	Bonnet / Yoke	Ductile Iron ASTM A536 (See Note 1)
8	Stem (See Note 2)	Manganese Bronze ASTM B138 (C67600)
		Silicon Bronze ASTM B98 (C66100)
		304 Stainless Steel
		316 Stainless Steel
		ASTM A276
9	O-Ring	Nitrile ASTM D2000
10	Wedge Nut	Bronze ASTM B584
11	Pin. Type E	304 Stainless Steel
12	Wedge	(See Note 3)
13	Guide Cap	Acetal
14	Bonnet Gasket	Nitrile ASTM D2000
15	Body	Ductile Iron ASTM A536
16	Gland Bolt	316 Stainless Steel ASTM F593
17	Bonnet Bolt	316 Stainless Steel ASTM F593
18	Bonnet Nut	316 Stainless Steel ASTM F594
19	Gland Nut	Silicon Bronze ASTM B98



NOTES:

1. 2" – 6"/DN50 – DN150 Bonnet and Yoke are one piece.
2. Standard Stem is Manganese Bronze ASTM B138 (C67600). Other Stem Material options available to special order.
3. Encapsulated Ductile Iron Wedge Rubber – SBR ASTM D2000.

*STEM PACKING INFORMATION

Valve Size	2"/DN50, 2 1/2"/DN65, 3"/DN80	4"/DN100	6"/DN150	8"/DN200	10"/DN250	12"/DN300
Part No. / Quantity	175972 / 4	176477 / 4	170712 / 4	175937 / 4	175975 / 4	170749 / 3
Size – inches (mm)	1/4 (6) x 3 5/8 (92)	1/4 (6) x 4 1/4 (108)	5/16 (8) x 4 3/4 (121)	5/16 (8) x 5 1/8 (130)	5/16 (8) x 5 1/2 (133)	3/8 (10) x 6 3/8 (161)



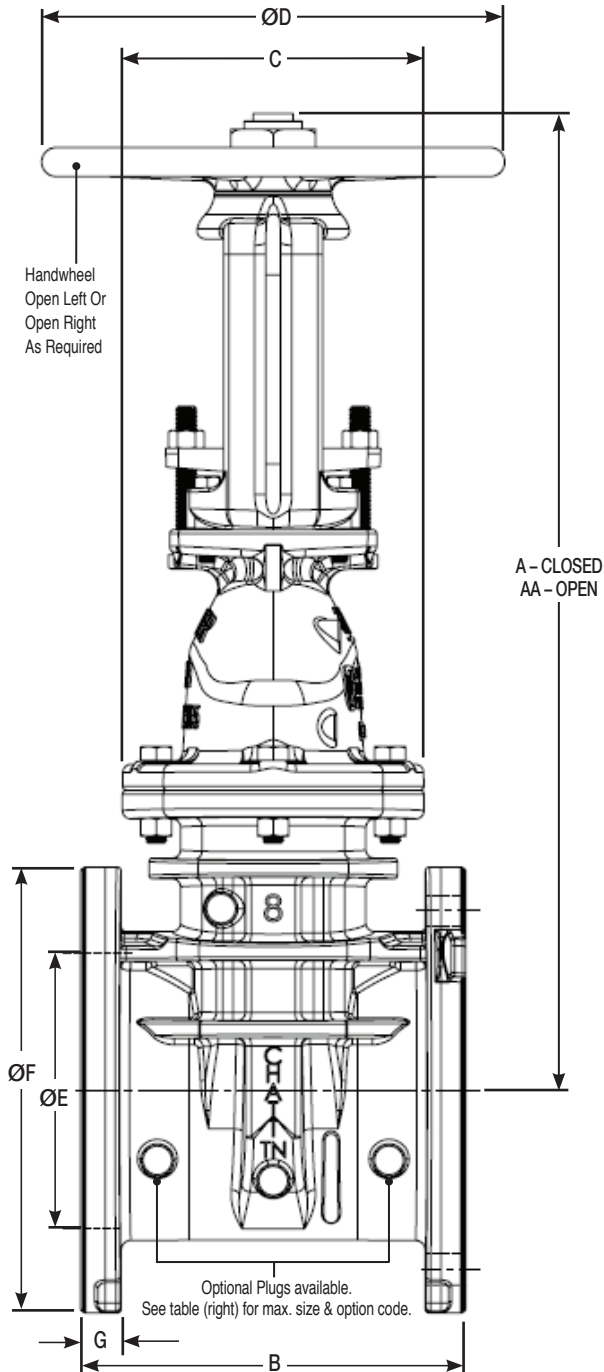
Reliable Connections™

R-USP1 Resilient Wedge Gate Valve

OS&Y: 2" – 12"/DN50 – DN300



**VALVE &
HYDRANT**



DIMENSIONS – Inches (mm)

Valve Size	A-Closed	AA-Open	B	C*
2"/DN50	14.09 (357)	16.69 (424)	7.00 (178)	7.02 (178)
2½"/DN65	15.91 (404)	19.56 (497)	7.50 (191)	8.63 (219)
3"/DN80	15.66 (398)	19.31 (490)	8.00 (203)	8.63 (219)
4"/DN100	19.00 (483)	23.68 (601)	9.00 (229)	10.79 (274)
6"/DN150	24.50 (622)	31.38 (797)	10.50 (267)	13.50 (343)
8"/DN200	29.50 (749)	38.50 (978)	11.50 (292)	16.36 (416)
10"/DN250	35.75 (908)	47.00 (1194)	13.00 (330)	19.99 (508)
12"/DN300	40.50 (1028)	53.50 (1359)	14.00 (356)	21.00 (533)

Valve Size	ØD	ØE Thru Ø	ØF	G
2"/DN50	7.00 (178)	2.30 (58)	6.00 (152)	0.68 (17)
2½"/DN65	7.00 (178)	2.80 (71)	7.00 (178)	0.75 (19)
3"/DN80	7.00 (178)	3.30 (84)	7.50 (191)	0.80 (20)
4"/DN100	10.00 (254)	4.31 (109)	9.00 (229)	1.03 (26)
6"/DN150	12.00 (305)	6.30 (160)	11.00 (279)	1.07 (27)
8"/DN200	14.00 (356)	8.30 (211)	13.50 (343)	1.19 (30)
10"/DN250	16.00 (406)	10.30 (262)	16.00 (406)	1.29 (33)
12"/DN300	16.00 (406)	12.30 (312)	19.00 (483)	1.35 (34)

*C dimension is the overall width of the bonnet flange.

OPTIONAL PLUGS

Valve Size	R2361 Max. Tap Size
2"/DN50	¾" (19)
2½"/DN65	½" (13)
3"/DN80	½" (13)
4"/DN100	¾" (19)
6"/DN150	1" (25)
8"/DN200	1¼" (32)
10"/DN250	1¼" (32)
12"/DN300	2" (50)

Option No.	Tap Size
0008	½" (13)
0249	¾" (19)
0062	1" (25)
0355	¾" (19)
0070	1¼" (32)
0366	1½" (38)

WEIGHT – lb. (kg)

Valve Size	2"/DN50	2½"/DN65	3"/DN80	4"/DN100	6"/DN150	8"/DN200	10"/DN250	12"/DN300
Weight	41 (19)	64 (29)	65 (29)	96 (44)	150 (68)	230 (104)	348 (158)	477 (216)