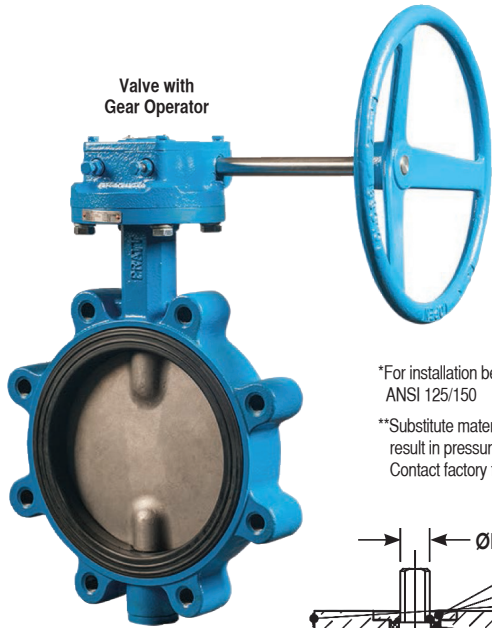


# BF Series Wafer/Lug Butterfly Valves

# PRATT®



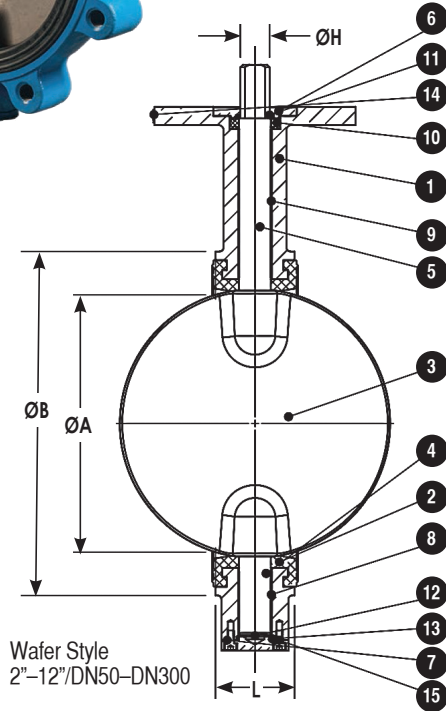
Valve with Gear Operator

## PRODUCT FEATURES

- Sizes: 2" – 48"/DN50 – DN1200.
- Pressure Ratings: 2" – 12"/DN50 – DN300, 230psi/16barg; 14" – 48"/DN350 – DN1200, 150psi/12barg.
- Unique 3 point connection, tongue and groove seat allows for higher pressure rating, low operating torque and end-of-line service.
- Secondary shaft seals prevent fluid contact with shaft.
- Two piece shaft design provides maximum strength and low-profile disc, enables high flow rate and low head-loss.
- Blow-out proof stem and ISO Top Flange.
- Actuation options: Worm Gear, Lever, Pneumatic, Electric.

\*For installation between ANSI 125/150

\*\*Substitute material may result in pressure rating change. Contact factory for details.

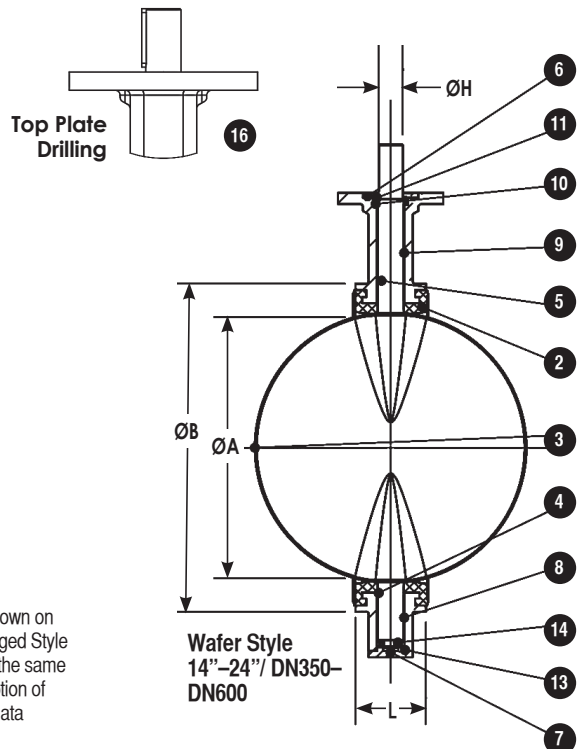


Wafer Style  
2"-12"/DN50-DN300

## PARTS LIST

ID	Part Name	Material
1	Body	Ductile Iron ASTM A536
2	Seat	EPDM/Buna-N/Viton
3	Disc	Stainless Steel 316/DI/C954/Nylon 11
4	Lower Stem	Stainless Steel 416/316/630
5	Upper Stem	Stainless Steel 416/316/630
6	Top Cap	1020 Steel
7	End Cap	1020 Steel
8	Lower Bushing	Nylatron®
9	Upper Bushing	Nylatron®
10	V-Packing	Buna-N
11	Washer	Stainless Steel 304
12	Wear Shim*	Stainless Steel 304
13	O-Ring	Buna-N
14	Data Plate	Stainless Steel 304
15	End Cap Bolt	Stainless Steel 304
16	Top Cap Bolt	Stainless Steel 304

\*14 = Steel Bearing on 14"-24"/DN350-DN600 drawing below.



Wafer Style  
14"-24"/DN350-DN600

**NOTE:**  
Wafer style shown on this page. Lugged Style information is the same with the exception of Tapped Lug Data (see back).

## DIMENSIONS - inches (mm)

Valve Size	ØA	ØB	ØH	L
2"/DN50	1 1/16 (27)	3 1/2 (89)	9/16 (14)	1 11/16 (43)
2 1/2"/DN65	1 7/8 (47)	4 1/16 (104)	9/16 (14)	1 13/16 (46)
3"/DN80	2 7/16 (62)	4 5/8 (118)	9/16 (14)	1 13/16 (46)
4"/DN100	3 1/2 (89)	5 7/8 (149)	5/8 (16)	2 1/16 (52)
5"/DN125	4 9/16 (116)	7 3/16 (183)	3/4 (19)	2 3/16 (56)
6"/DN150	5 7/16 (138)	8 (203)	3/4 (19)	2 3/16 (56)
8"/DN200	7 3/4 (197)	10 5/16 (262)	7/8 (22)	2 3/8 (60)
10"/DN250	9 5/8 (245)	12 5/8 (320)	1 1/8 (28)	2 11/16 (68)
12"/DN300	11 5/16 (288)	14 9/16 (370)	1 1/8 (28)	3 1/16 (78)
14"/DN350	12 11/16 (322)	16 3/4 (426)	1 3/8 (35)	3 1/16 (78)
16"/DN400	14 15/16 (379)	18 3/4 (476)	1 3/8 (35)	4 (102)
18"/DN450	16 11/16 (424)	20 15/16 (532)	1 5/8 (41)	4 1/2 (114)
20"/DN500	18 1/2 (470)	23 3/16 (589)	1 7/8 (47)	5 (127)
24"/DN600	22 1/2 (571)	27 (686)	1 7/8 (47)	6 1/16 (154)



Reliable Connections®

Mueller Co. International Division • 6125 Preservation Dr., Suite 200 • Chattanooga, TN 37416 USA  
p +1.423.490.9555 • f +1.423.531.0033 • international@muellercompany.com • [mueller-international.com](http://mueller-international.com)

Form 13059 – Rev 10/16

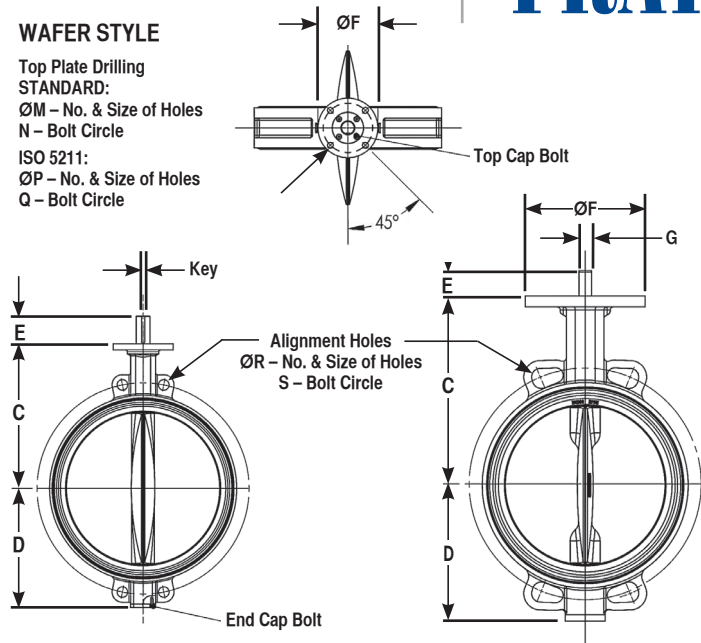
# BF Series Wafer/Lug Butterfly Valves



Shown with Actuator fitted

## WAFFER STYLE

Top Plate Drilling  
**STANDARD:**  
 ØM – No. & Size of Holes  
 N – Bolt Circle  
**ISO 5211:**  
 ØP – No. & Size of Holes  
 Q – Bolt Circle



## WAFFER AND LUGGED STYLE DIMENSIONS - inches (mm)

Valve Size	C	D	E	ØF	G	No.-ØM	N	No.-ØP	Q	No.-ØR*	S	Key	Wt-lb (kg)*
2"/DN50	5 (127)	2 <sup>9</sup> / <sub>16</sub> (66)	1 <sup>1</sup> / <sub>4</sub> (32)	4 (102)	<sup>3</sup> / <sub>8</sub> (10)	4-7/16 (11)	3 <sup>1</sup> / <sub>4</sub> (83)	4- <sup>3</sup> / <sub>8</sub> (10)	2 <sup>3</sup> / <sub>4</sub> (70)	4-7/16 (11)	4 <sup>3</sup> / <sub>4</sub> (121)	-	5 (2.2)
2 <sup>1</sup> / <sub>2</sub> "/DN65	5 <sup>1</sup> / <sub>2</sub> (140)	2 <sup>7</sup> / <sub>8</sub> (73)	1 <sup>1</sup> / <sub>4</sub> (32)	4 (102)	<sup>3</sup> / <sub>8</sub> (10)	4-7/16 (11)	3 <sup>1</sup> / <sub>4</sub> (83)	4- <sup>3</sup> / <sub>8</sub> (10)	2 <sup>3</sup> / <sub>4</sub> (70)	4-7/16 (11)	5 <sup>1</sup> / <sub>2</sub> (140)	-	6 (2.8)
3"/DN80	5 <sup>11</sup> / <sub>16</sub> (145)	3 <sup>5</sup> / <sub>8</sub> (92)	1 <sup>1</sup> / <sub>4</sub> (32)	4 (102)	<sup>3</sup> / <sub>8</sub> (10)	4-7/16 (11)	3 <sup>1</sup> / <sub>4</sub> (83)	4- <sup>3</sup> / <sub>8</sub> (10)	2 <sup>3</sup> / <sub>4</sub> (70)	4-7/16 (11)	6 (152)	-	7 (3)
4"/DN100	6 <sup>1</sup> / <sub>2</sub> (165)	4 <sup>7</sup> / <sub>16</sub> (113)	1 <sup>1</sup> / <sub>4</sub> (32)	4 (102)	<sup>7</sup> / <sub>16</sub> (11)	4-7/16 (11)	3 <sup>1</sup> / <sub>4</sub> (83)	4- <sup>3</sup> / <sub>8</sub> (10)	2 <sup>3</sup> / <sub>4</sub> (70)	4-7/16 (11)	7 <sup>1</sup> / <sub>2</sub> (190)	-	11 (5)
5"/DN125	7 <sup>1</sup> / <sub>2</sub> (190)	4 <sup>9</sup> / <sub>16</sub> (125)	1 <sup>1</sup> / <sub>4</sub> (32)	4 (102)	<sup>1</sup> / <sub>2</sub> (13)	4-7/16 (11)	3 <sup>1</sup> / <sub>4</sub> (83)	4- <sup>3</sup> / <sub>8</sub> (10)	2 <sup>3</sup> / <sub>4</sub> (70)	4-7/16 (22)	8 <sup>1</sup> / <sub>2</sub> (216)	-	16 (7)
6"/DN150	7 <sup>7</sup> / <sub>8</sub> (200)	5 <sup>7</sup> / <sub>16</sub> (138)	1 <sup>1</sup> / <sub>4</sub> (32)	4 (102)	<sup>1</sup> / <sub>2</sub> (13)	4-7/16 (11)	3 <sup>1</sup> / <sub>4</sub> (83)	4- <sup>3</sup> / <sub>8</sub> (10)	2 <sup>3</sup> / <sub>4</sub> (70)	4-7/16 (22)	9 <sup>1</sup> / <sub>2</sub> (241)	-	18 (8)
8"/DN200	9 <sup>1</sup> / <sub>2</sub> (241)	6 <sup>13</sup> / <sub>16</sub> (173)	1 <sup>1</sup> / <sub>4</sub> (32)	6 (152)	<sup>5</sup> / <sub>8</sub> (16)	4-9/16 (14)	5 (127)	4- <sup>9</sup> / <sub>16</sub> (14)	4 <sup>15</sup> / <sub>16</sub> (125)	4-7/8 (22)	11 <sup>3</sup> / <sub>4</sub> (298)	-	32 (14)
10"/DN250	10 <sup>7</sup> / <sub>8</sub> (276)	8 <sup>1</sup> / <sub>8</sub> (206)	2 (51)	6 (152)	-	4-9/16 (14)	5 (127)	4- <sup>9</sup> / <sub>16</sub> (14)	4 <sup>15</sup> / <sub>16</sub> (125)	4-1 (25)	14 <sup>1</sup> / <sub>4</sub> (362)	1 <sup>1</sup> / <sub>4</sub> x 1 <sup>1</sup> / <sub>4</sub> (6x6)	50 (23)
12"/DN300	12 <sup>3</sup> / <sub>16</sub> (310)	9 <sup>11</sup> / <sub>16</sub> (247)	2 (51)	6 (152)	-	4-9/16 (14)	5 (127)	4- <sup>9</sup> / <sub>16</sub> (14)	4 <sup>15</sup> / <sub>16</sub> (125)	4-1 (25)	17 (432)	1 <sup>1</sup> / <sub>4</sub> x 1 <sup>1</sup> / <sub>4</sub> (6x6)	67 (30)
14"/DN350	13 (330)	11 (279)	2 <sup>3</sup> / <sub>4</sub> (70)	6 (152)	-	4-9/16 (14)	5 (127)	4- <sup>9</sup> / <sub>16</sub> (14)	4 <sup>15</sup> / <sub>16</sub> (125)	4-1 <sup>1</sup> / <sub>8</sub> (28)	18 <sup>3</sup> / <sub>4</sub> (476)	5 <sup>1</sup> / <sub>16</sub> x 9 <sup>1</sup> / <sub>16</sub> (8x8)	80 (36)
16"/DN400	14 <sup>9</sup> / <sub>16</sub> (370)	12 (304)	2 <sup>3</sup> / <sub>4</sub> (70)	6 (152)	-	4-9/16 (14)	5 (127)	4- <sup>9</sup> / <sub>16</sub> (14)	4 <sup>15</sup> / <sub>16</sub> (125)	4-1 <sup>1</sup> / <sub>8</sub> (28)	21 <sup>1</sup> / <sub>4</sub> (540)	5 <sup>1</sup> / <sub>16</sub> x 9 <sup>1</sup> / <sub>16</sub> (8x8)	110 (50)
18"/DN450	15 <sup>9</sup> / <sub>16</sub> (395)	13 <sup>3</sup> / <sub>16</sub> (335)	3 (76)	8 (203)	-	4- <sup>13</sup> / <sub>16</sub> (21)	6 <sup>1</sup> / <sub>2</sub> (165)	4- <sup>13</sup> / <sub>16</sub> (21)	6 <sup>1</sup> / <sub>2</sub> (165)	4-1 <sup>1</sup> / <sub>4</sub> (32)	22 <sup>3</sup> / <sub>4</sub> (578)	<sup>3</sup> / <sub>8</sub> x <sup>3</sup> / <sub>8</sub> (10x10)	161 (73)
20"/DN500	16 <sup>7</sup> / <sub>8</sub> (428)	14 <sup>1</sup> / <sub>2</sub> (369)	3 <sup>1</sup> / <sub>2</sub> (89)	8 (203)	-	4- <sup>13</sup> / <sub>16</sub> (21)	6 <sup>1</sup> / <sub>2</sub> (165)	4- <sup>13</sup> / <sub>16</sub> (21)	6 <sup>1</sup> / <sub>2</sub> (165)	4-1 <sup>1</sup> / <sub>4</sub> (32)	25 (635)	1 <sup>1</sup> / <sub>2</sub> x 1 <sup>1</sup> / <sub>2</sub> (13x13)	207 (94)
24"/DN600	19 <sup>1</sup> / <sub>16</sub> (500)	16 <sup>1</sup> / <sub>16</sub> (424)	3 <sup>1</sup> / <sub>2</sub> (89)	8 (203)	-	4- <sup>13</sup> / <sub>16</sub> (21)	6 <sup>1</sup> / <sub>2</sub> (165)	4- <sup>13</sup> / <sub>16</sub> (21)	6 <sup>1</sup> / <sub>2</sub> (165)	4-1 <sup>3</sup> / <sub>8</sub> (35)	29 <sup>1</sup> / <sub>2</sub> (749)	1 <sup>1</sup> / <sub>2</sub> x 1 <sup>1</sup> / <sub>2</sub> (13x13)	317 (144)

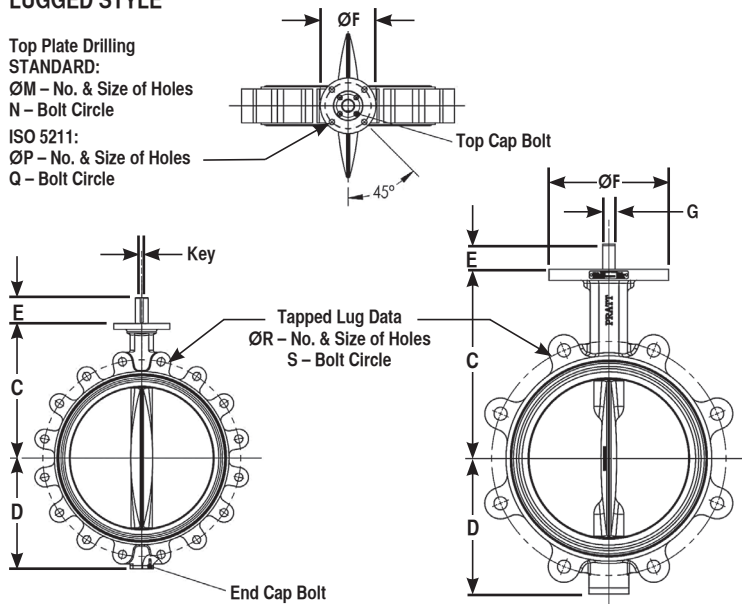
\*Alignment Holes and Weight – Wafer Style only.

## TAPPED LUG DATA DIMENSIONS - inches (mm)

Valve Size	No.- ØR	S	Wt.-lb. (kg)
2"/DN50	4- <sup>5</sup> / <sub>8</sub> (16)	4 <sup>3</sup> / <sub>4</sub> (121)	7 (3)
2 <sup>1</sup> / <sub>2</sub> "/DN65	4- <sup>5</sup> / <sub>8</sub> (16)	5 <sup>1</sup> / <sub>2</sub> (140)	8 (4)
3"/DN80	4- <sup>5</sup> / <sub>8</sub> (16)	6 (152)	11 (5)
4"/DN100	8- <sup>5</sup> / <sub>8</sub> (16)	7 <sup>1</sup> / <sub>2</sub> (190)	15 (7)
5"/DN125	8- <sup>3</sup> / <sub>4</sub> (19)	8 <sup>1</sup> / <sub>2</sub> (216)	21 (9)
6"/DN150	8- <sup>3</sup> / <sub>4</sub> (19)	9 <sup>1</sup> / <sub>2</sub> (241)	23 (10)
8"/DN200	8- <sup>3</sup> / <sub>4</sub> (19)	11 <sup>3</sup> / <sub>4</sub> (298)	38 (17)
10"/DN250	12- <sup>7</sup> / <sub>8</sub> (22)	14 <sup>1</sup> / <sub>4</sub> (362)	63 (28)
12"/DN300	12- <sup>7</sup> / <sub>8</sub> (22)	17 (432)	83 (38)
14"/DN350	12-1 (25)	18 <sup>3</sup> / <sub>4</sub> (476)	110 (50)
16"/DN400	16-1 (25)	21 <sup>1</sup> / <sub>4</sub> (540)	161 (73)
18"/DN450	16-1 <sup>1</sup> / <sub>8</sub> (28)	22 <sup>3</sup> / <sub>4</sub> (578)	223 (101)
20"/DN500	20-1 <sup>1</sup> / <sub>8</sub> (28)	25 (635)	276 (125)
24"/DN600	20-1 <sup>1</sup> / <sub>4</sub> (32)	29 <sup>1</sup> / <sub>2</sub> (749)	408 (185)

## LUGGED STYLE

Top Plate Drilling  
**STANDARD:**  
 ØM – No. & Size of Holes  
 N – Bolt Circle  
**ISO 5211:**  
 ØP – No. & Size of Holes  
 Q – Bolt Circle



Copyright © 2016 Henry Pratt Company, LLC. All Rights Reserved.  
 The trademarks, logos and service marks displayed in this document herein are the property of Henry Pratt Company, LLC, its affiliates or other third parties. These products are intended for use in potable water applications. Please contact your Pratt Sales or Customer Service Representative concerning any other application(s).