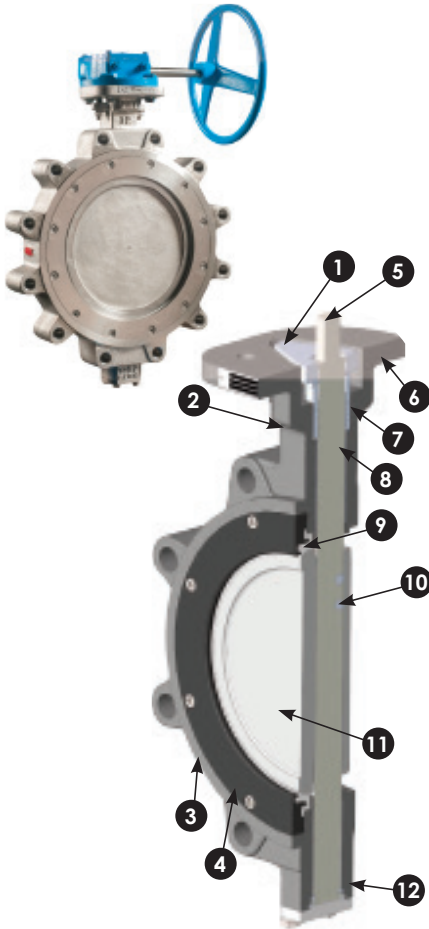


High Performance Double Offset Butterfly Valve



PRODUCT FEATURES

- Double offset disc and shaft.
- Blowout proof shaft design.
- Bi-Directional (Soft Seat only).
- Dead End and Double Dead End Service (Lug Type only).
- Fire Safe Certified (Metal seat and Fire Safe seat, API 607).
- Spherical Sealing Surface.
- 17-4 PH Stainless Steel Stem.
- Actuation Options: Worm Gear, Lever, Pneumatic, Electric.
- Optional Features: live loaded packing, O2 & oil-free cleaning, steam jacket, bonnet extension, anti static. Customized designs available upon request.

PARTS/DESCRIPTIONS

- Below Bonnet Gland Packing:** Recessed gland packing eliminates the need for mounting kit and reduces package height.
- Extended Neck:** Bonnet to flange clearance minimum 2"(51mm) allowing insulation.
- Body:** Available Wafer, Lug, Double Flange and Butt-weld. Precision cast bodies in virtually any alloy. Castings conform to all applicable ASME codes. Certified independent testing on request.
- Seat Retention Ring:** Conforms to API 609 spiral-wound gasket. Retainer plate assures seat stability and allows full rated bi-directional, dead end service.
- Shaft:** One piece design provides strength and integrity under severe conditions.
- Bonnet:** Allows for direct mounting of all types of actuation. ISO drilling available upon request.
- Packing:** Multi-layered "cup & cone" PTFE packing gives a positive seal under high operational frequency. Multi-layered graphite packing available for metal seat and fire safe valves.
- Blowout Proof Shaft Retention:** Shaft retention system meets API requirements.
- Seat:** Machined to lock between body and retention ring. PTFE, RTFE, 316 stainless steel, inconel, Fire Safe, MTFE.
- Disc to Shaft pins:** Tapered hole and pin.
- Disc:** Designed to have minimal deflection and movement under pressure reducing torque and improving cycle life.
- Bearings:** 316 stainless steel saturated with either PTFE or Graphite.

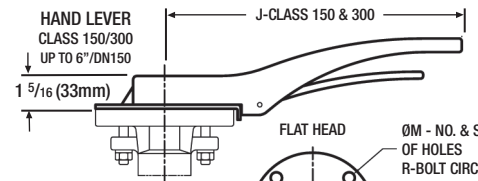
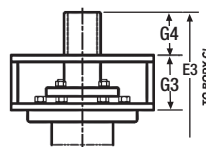
CLASS 600

Valve Size	G3	G4	E3
20"/DN500	5 ¹⁵ / ₁₆ (150)	4 ³ / ₄ (120)	30 ⁵ / ₁₆ (770)
24"/DN600	6 ⁵ / ₁₆ (160)	4 ³ / ₄ (120)	33 ⁷ / ₈ (860)

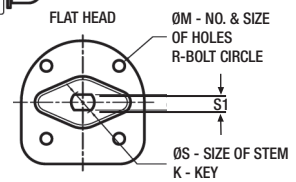
Valve Size	Class 150* & 300				Class 600			
	R	No. - ØM	S1	ØS	R	No. - ØM	S1	ØS
2"/DN50	3 ¹ / ₄ (82)	4-7 ¹ / ₁₆ (11)	3 ⁸ / ₈ (9)	9 ¹ / ₁₆ (14)	-	-	-	-
2 ¹ / ₂ "/DN65	3 ³ / ₄ (82)	4-7 ¹ / ₁₆ (11)	7 ¹ / ₁₆ (11)	5 ⁸ / ₈ (16)	-	-	-	-
3"/DN80	3 ¹ / ₄ (82)	4-7 ¹ / ₁₆ (11)	7 ¹ / ₁₆ (11)	5 ⁸ / ₈ (16)	3 ¹ / ₄ (82)	4-7 ¹ / ₁₆ (11)	1 ² / ₂ (13)	3 ⁴ / ₄ (19)
4"/DN100	3 ¹ / ₄ (82)	4-7 ¹ / ₁₆ (11)	1 ² / ₂ (13)	3 ⁴ / ₄ (19)	5 (127)	4-9 ¹ / ₁₆ (14)	5 ⁸ / ₈ (16)	7 ⁸ / ₈ (22)
5"/DN125	3 ¹ / ₄ (82)	4-7 ¹ / ₁₆ (11)	1 ² / ₂ (13)	3 ⁴ / ₄ (19)	-	-	-	-
6"/DN150	3 ¹ / ₄ (82)	4-7 ¹ / ₁₆ (11)	1 ² / ₂ (13)	3 ⁴ / ₄ (19)	5 (127)	4-9 ¹ / ₁₆ (14)	-	1 ³ / ₈ (35)

Valve Size	Class 150			Class 300			Class 600		
	R	No. - ØM	ØS	R	No. - ØM	ØS	R	No. - ØM	ØS
8"/DN200	5 (127)	4-9 ¹ / ₁₆ (14)	7 ⁸ / ₈ (22)	5 (127)	4-9 ¹ / ₁₆ (14)	1 ¹ / ₈ (28)	6 ¹ / ₂ (165)	4-13 ¹ / ₁₆ (21)	1 ⁷ / ₈ (47)
10"/DN250	5 (127)	4-9 ¹ / ₁₆ (14)	1 ¹ / ₈ (28)	5 (127)	4-9 ¹ / ₁₆ (14)	1 ¹ / ₈ (28)	6 ¹ / ₂ (165)	4-13 ¹ / ₁₆ (21)	1 ⁷ / ₈ (47)
12"/DN300	5 (127)	4-9 ¹ / ₁₆ (14)	1 ¹ / ₈ (28)	5 (127)	4-9 ¹ / ₁₆ (14)	1 ³ / ₈ (35)	10 (254)	8-3 ⁴ / ₄ (19)	2 ³ / ₈ (60)
14"/DN350	5 (127)	4-9 ¹ / ₁₆ (14)	1 ³ / ₈ (35)	6 ¹ / ₂ (165)	4-13 ¹ / ₁₆ (21)	1 ⁷ / ₈ (47)	10 (254)	8-3 ⁴ / ₄ (19)	2 ⁹ / ₁₆ (65)
16"/DN400	6 ¹ / ₂ (165)	4-13 ¹ / ₁₆ (21)	1 ⁷ / ₈ (47)	6 ¹ / ₂ (165)	4-13 ¹ / ₁₆ (21)	2 ¹ / ₈ (54)	10 (254)	8-3 ⁴ / ₄ (19)	2 ⁹ / ₁₆ (65)
18"/DN450	6 ¹ / ₂ (165)	4-13 ¹ / ₁₆ (21)	1 ⁷ / ₈ (47)	10 (254)	8-3 ⁴ / ₄ (19)	2 ⁹ / ₁₆ (65)	10 (254)	8-3 ⁴ / ₄ (19)	3 ¹ / ₈ (80)
20"/DN500	6 ¹ / ₂ (165)	4-13 ¹ / ₁₆ (21)	2 ¹ / ₈ (54)	10 (254)	8-3 ⁴ / ₄ (19)	2 ⁹ / ₁₆ (65)	11 ¹¹ / ₁₆ (297)	8-15 ¹ / ₁₆ (23)	3 ¹⁵ / ₁₆ (100)
24"/DN600	10 (254)	8-3 ⁴ / ₄ (19)	2 ⁹ / ₁₆ (65)	10 (254)	8-3 ⁴ / ₄ (19)	3 ¹ / ₈ (80)	11 ¹¹ / ₁₆ (297)	8-15 ¹ / ₁₆ (23)	3 ¹⁵ / ₁₆ (100)

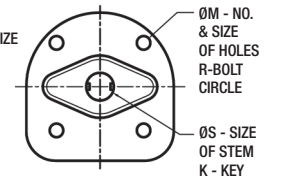
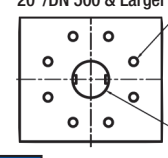
*Class 150 S1, 8"/DN200 – 5/8 (16). Class 150, 22"/DN550 R, No. – ØM, ØS & Key are same dimensions as 24"/DN600. **Class 600, 6"/DN150 Key – 5/16 x 5/16 (8x8).



Valve Size	J
2"-3"/DN50-80	8 ⁷ / ₈ (225)
4"-6"/DN100-150	12 ³ / ₄ (325)



CLASS 600 20"/DN 500 & Larger



Class 150*	Class 300	Class 600***
-	1/4 x 1/4 (6x6)	1/2 x 1/2 (13x13)
1/4 x 1/4 (6x6)	1/4 x 1/4 (6x6)	1/2 x 1/2 (13x13)
1/4 x 1/4 (6x6)	5/16 x 5/16 (8x8)	3/4 x 1/2 (19x13)
5/16 x 5/16 (8x8)	1/2 x 1/2 (13x13)	3/4 x 1/2 (19x13)
1/2 x 1/2 (13x13)	1/2 x 1/2 (13x13)	3/4 x 1/2 (19x13)
1/2 x 1/2 (13x13)	3/4 x 1/2 (19x13)	7/8 x 9/16 (22x14)
1/2 x 1/2 (13x13)	3/4 x 1/2 (19x13)	1 1/8 x 5/8 (28x16)
3/4 x 1/2 (19x13)	7/8 x 9/16 (22x14)	1 1/8 x 5/8 (28x16)



Reliable Connections®

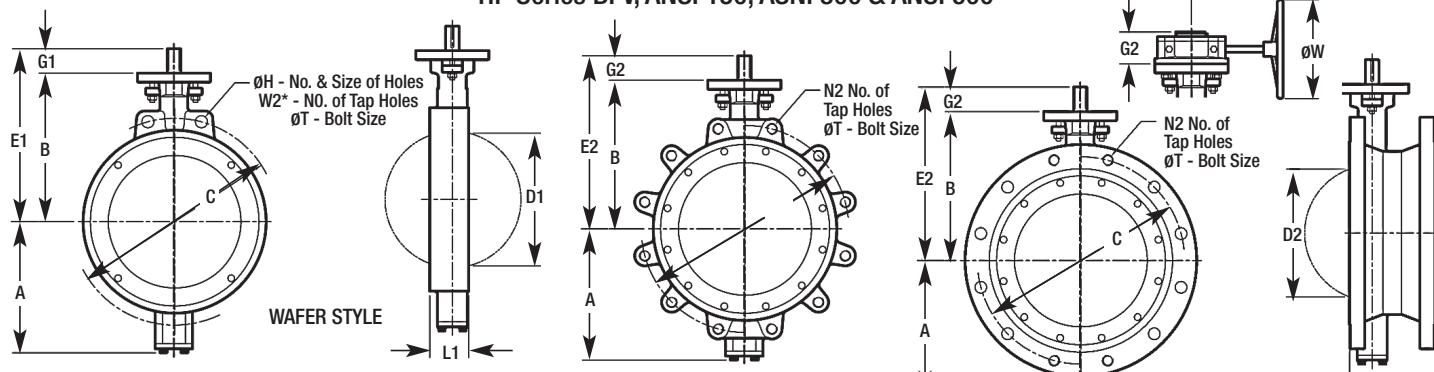
Mueller Co. International Division • 6125 Preservation Dr., Suite 200 • Chattanooga, TN 37416 USA
 p +1.423.490.9555 • f +1.423.531.0033 • international@muellercompany.com • mueller-international.com

Form 13060 – Rev 12/16

High Performance Double Offset Butterfly Valve

PRATT®

HP Series BFV, ANSI 150, ANSI 300 & ANSI 600



CLASS 150 DIMENSIONS - INCHES (MM)

Valve Size	A	B	G1	G2	E1	E2	X	ØW	D1	D2	L1	L2	ØC	ØT	No. - ØH	N2	F1	F2
2" /DN50	43/16 (106)	415/16 (125)	11/4 (32)	23/8 (60)	63/16 (157)	71/4 (152)	7 (178)	6 (152)	11/2 (39)	1 (25)	13/4 (44)	-	43/4 (120)	5/8 (16)x11UNC	2-3/4 (19)	4	-	-
21/2" /DN65	41/4 (108)	57/8 (149)	11/4 (32)	23/8 (60)	71/8 (181)	81/4 (209)	7 (178)	6 (152)	23/16 (55)	15/8 (41)	17/8 (48)	-	51/2 (140)	5/8 (16)x11UNC	2-3/4 (19)	4	-	-
3" /DN80	45/8 (118)	65/16 (160)	11/4 (32)	23/8 (60)	79/16 (192)	811/16 (220)	7 (178)	6 (152)	23/4 (69)	21/8 (54)	115/16 (49)	-	6 (152)	5/8 (16)x11UNC	2-3/4 (19)	4	-	-
4" /DN100	51/8 (130)	7 (178)	11/4 (32)	23/8 (60)	81/4 (201)	93/8 (238)	7 (178)	6 (152)	39/16 (90)	3 (77)	21/8 (54)	5 (127)	71/2 (190)	5/8 (16)x11UNC	2-3/4 (19)	8	4	4
5" /DN125	513/16 (147)	75/8 (193)	11/4 (32)	23/8 (60)	87/8 (225)	915/16 (253)	7 (178)	6 (152)	41/2 (114)	41/16 (103)	21/4 (57)	51/2 (140)	81/2 (216)	3/4 (19)x10UNC	2-7/8 (22)	8	4	4
6" /DN150	613/16 (173)	83/8 (213)	11/4 (32)	23/8 (60)	95/8 (245)	103/4 (273)	7 (178)	6 (152)	53/8 (137)	5 (127)	21/4 (57)	51/2 (140)	91/2 (241)	3/4 (19)x10UNC	2-7/8 (22)	8	4	4
8" /DN200	8 (203)	97/16 (240)	11/4 (32)	23/4 (69)	1011/16 (272)	123/16 (309)	101/16 (256)	12 (305)	71/4 (232)	615/16 (176)	23/16 (65)	6 (152)	113/4 (298)	3/4 (19)x10UNC	2-7/8 (22)	8	4	4
10" /DN250	9 (228)	11 (280)	21/16 (52)	23/4 (69)	131/16 (332)	133/4 (350)	101/16 (256)	12 (305)	91/8 (410)	813/16 (224)	23/16 (72)	61/2 (165)	141/4 (362)	7/8 (22)x9UNC	2-1 (25)	12	8	4
12" /DN300	103/4 (273)	123/16 (309)	2 (51)	23/4 (69)	143/16 (361)	1415/16 (379)	101/16 (256)	12 (305)	101/8 (410)	101/2 (267)	33/16 (81)	7 (178)	17 (432)	7/8 (22)x9UNC	2-1 (25)	12	8	4
14" /DN350	121/8 (308)	139/16 (335)	21/4 (57)	37/16 (87)	157/16 (392)	165/8 (422)	12 (305)	12 (305)	125/16 (313)	1115/16 (304)	35/8 (92)	71/2 (190)	183/4 (476)	1 (25)x8UNC	2-11/8 (29)	12	8	4
16" /DN400	1311/16 (348)	151/2 (393)	3 (76)	37/16 (87)	187/16 (469)	1815/16 (480)	12 (305)	12 (305)	141/16 (358)	133/4 (350)	4 (102)	81/2 (216)	211/4 (540)	1 (25)x8UNC	2-11/8 (29)	16	12	4
18" /DN450	151/16 (283)	169/16 (420)	3 (76)	4 (102)	191/2 (496)	209/16 (522)	121/16 (307)	16 (406)	161/4 (412)	157/8 (403)	41/2 (114)	83/4 (222)	223/4 (578)	11/8 (29)x8UNC	-	16	12	4
20" /DN500	161/4 (413)	173/4 (450)	3 (76)	4 (102)	2011/16 (526)	213/4 (552)	121/16 (307)	16 (406)	1713/16 (453)	171/2 (445)	5 (127)	9 (229)	25 (635)	11/8 (29)x8UNC	-	20	16	4
24" /DN600	191/16 (485)	207/8 (530)	4 (102)	51/8 (130)	247/8 (632)	26 (660)	1615/16 (430)	235/8 (600)	211/4 (540)	21 (534)	61/16 (154)	101/2 (267)	291/2 (749)	11/8 (32)x8UNC	-	20	16	4

*W2: 18"-24"/DN450-DN600 - 4

CLASS 300 DIMENSIONS - INCHES (MM)

Valve Size	A	B	G1	G2	E1	E2	X	ØW	D1	D2	L1	L2	ØC	ØT	No. - ØH	N2	F1	F2
2" (DN50)	43/16 (106)	415/16 (125)	11/4 (32)	23/8 (60)	63/16 (157)	71/4 (152)	7 (178)	6 (152)	11/2 (39)	1 (25)	13/4 (44)	-	5 (127)	5/8 (16)x11UNC	2-3/4 (19)	8	-	-
21/2" (DN65)	41/4 (108)	57/8 (149)	11/4 (32)	23/8 (60)	71/8 (181)	81/4 (209)	7 (178)	6 (152)	23/16 (55)	15/8 (41)	17/8 (48)	-	57/8 (149)	3/4 (19)x10UNC	2-7/8 (22)	8	-	-
3" (DN80)	45/8 (118)	65/16 (160)	11/4 (32)	23/8 (60)	79/16 (192)	811/16 (220)	7 (178)	6 (152)	23/4 (68)	21/8 (54)	115/16 (49)	-	65/8 (168)	3/4 (19)x10UNC	2-7/8 (22)	8	-	-
4" (DN100)	51/8 (130)	7 (178)	11/4 (32)	23/8 (60)	81/4 (201)	93/8 (238)	7 (178)	6 (152)	39/16 (90)	3 (77)	21/8 (54)	5 (127)	71/8 (200)	3/4 (19)x10UNC	2-7/8 (22)	8	4	4
5" (DN125)	513/16 (147)	75/8 (193)	11/4 (32)	23/8 (60)	87/8 (225)	915/16 (253)	7 (178)	6 (152)	41/2 (114)	41/16 (103)	21/4 (57)	51/2 (140)	91/4 (235)	3/4 (19)x10UNC	2-7/8 (22)	8	4	4
6" (DN150)	613/16 (182)	811/16 (220)	11/4 (32)	23/8 (60)	915/16 (253)	11 (279)	7 (178)	6 (152)	53/8 (137)	415/16 (126)	25/16 (59)	51/2 (140)	915/8 (270)	3/4 (19)x10UNC	2-7/8 (22)	12	8	4
8" (DN200)	83/4 (223)	101/4 (260)	2 (51)	23/4 (69)	121/4 (311)	13 (329)	101/16 (256)	12 (305)	71/4 (184)	613/16 (173)	27/8 (73)	6 (152)	13 (329)	7/8 (22)x9UNC	2-1 (25)	12	8	4
10" (DN250)	913/16 (250)	117/16 (290)	2 (51)	23/4 (69)	137/16 (341)	141/8 (359)	101/16 (256)	12 (305)	87/8 (225)	89/16 (218)	31/4 (83)	61/2 (165)	151/4 (387)	1 (25)x8UNC	-	16	12	4
12" (DN300)	111/16 (281)	1213/16 (325)	21/16 (52)	37/16 (87)	147/8 (378)	161/4 (413)	12 (305)	12 (305)	109/16 (269)	101/4 (260)	35/8 (92)	7 (178)	173/4 (451)	11/8 (29)x8UNC	-	16	12	4
14" (DN350)	131/8 (333)	143/4 (375)	3 (76)	4 (102)	173/4 (451)	183/4 (477)	121/16 (307)	16 (406)	1115/16 (303)	1111/16 (296)	45/8 (117)	71/2 (190)	201/4 (514)	11/8 (29)x8UNC	-	20	16	4
16" (DN400)	147/8 (378)	163/4 (426)	3 (76)	4 (102)	193/4 (501)	203/4 (527)	121/16 (307)	16 (406)	139/16 (345)	139/16 (335)	51/4 (133)	81/2 (216)	221/2 (572)	11/4 (32)x8UNC	-	20	16	4
18" (DN450)	161/2 (420)	185/16 (465)	4 (102)	51/8 (130)	225/16 (567)	237/16 (595)	1615/16 (430)	235/8 (600)	1511/16 (399)	153/8 (391)	57/8 (149)	83/4 (222)	243/4 (629)	11/4 (32)x8UNC	-	24	20	4
20" (DN500)	181/8 (460)	191/8 (505)	4 (102)	51/8 (130)	237/8 (607)	25 (635)	1615/16 (430)	235/8 (600)	171/8 (454)	171/2 (445)	61/4 (159)	9 (229)	27 (686)	11/4 (32)x8UNC	-	24	20	4
24" (DN600)	2015/16 (532)	2213/16 (580)	47/16 (113)	613/16 (173)	271/4 (693)	295/8 (753)	1813/16 (478)	279/16 (700)	2015/16 (532)	209/16 (522)	71/8 (181)	101/2 (267)	32 (813)	11/2 (39)x8UNC	-	24	20	4

*W2: 10"-24"/DN250-DN600 - 4

CLASS 600 DIMENSIONS - INCHES (MM)

Valve Size	A	B	G1	G2	E1	E2	X	ØW	D1	D2	L1	L2	ØC	ØT	No. - ØH	N2	F1	F2
3" (DN80)	53/16 (131)	69/16 (167)	13/16 (30)	23/8 (60)	73/4 (197)	815/16 (227)	7 (178)	6 (152)	211/16 (69)	21/2 (64)	23/16 (55)	-	65/8 (168)	3/4 (19)x10UNC	2-7/8 (22)	8	-	-
4" (DN100)	515/16 (151)	711/16 (195)	11/4 (32)	23/4 (69)	815/16 (227)	107/16 (264)	101/16 (256)	12 (305)	39/8 (92)	215/16 (75)	21/2 (64)	71/2 (190)	81/2 (216)	7/8 (22)x9UNC	2-1 (25)	8	4	4
6" (DN150)	83/8 (213)	97/16 (240)	21/4 (57)	37/16 (87)	1111/16 (297)	127/8 (327)	12 (305)	12 (305)	5 (127)	41/4 (107)	31/16 (78)	81/4 (210)	111/2 (292)	1 (25)x8UNC	-	12	8	4
8" (DN200)	93/4 (248)	117/16 (290)	3 (76)	4 (102)	147/16 (366)	157/16 (392)	121/16 (307)	16 (406)	63/8 (161)	511/16 (145)	41/16 (103)	91/16 (230)	133/4 (349)	11/8 (29)x8UNC	-	12	8	4
10" (DN250)	115/16 (288)	139/16 (335)	3 (76)	4 (102)	163/16 (411)	173/16 (437)	121/16 (307)	16 (406)	81/8 (206)	713/16 (199)	45/8 (117)	913/16 (250)	17 (432)	11/4 (32)x8UNC	-	16	12	4
12" (DN300)	131/8 (333)	153/16 (385)	4 (102)	51/8 (130)	193/16 (487)	201/4 (515)	1615/16 (430)	235/8 (600)	911/16 (246)	97/16 (239)	51/2 (140)	103/8 (270)	191/4 (489)	11/4 (32)x8UNC	-	20	16	4
14" (DN350)	1415/16 (380)	171/8 (435)	4 (102)	51/8 (130)	211/8 (537)	221/4 (565)	1615/16 (430)	235/8 (600)	1015/16 (278)	107/16 (265)	61/8 (155)	117/16 (290)	203/4 (527)	13/8 (35)x8UNC	-	20	16	4
16" (DN400)	165/16 (415)	1811/16 (475)	4 (102)	51/8 (130)	221/4 (569)	2313/16 (605)	1615/16 (430)	235/8 (600)	1211/16 (322)	121/4 (312)	7 (178)	123/16 (310)	233/4 (603)	11/2 (39)x8UNC	-	20	16	4
18" (DN450)	181/8 (460)	1911/16 (500)	47/16 (113)	613/16 (173)	241/8 (613)	261/2 (673)	1813/16 (478)	279/16 (700)	147/16 (367)	147/16 (367)	77/8 (200)	13 (329)	253/4 (654)	15/8 (41)x8UNC	-	20	16	4
20" (DN500)	195/16 (490)	1911/16 (500)	-	611/16 (170)	-	325/16 (820)	2213/16 (580)	279/16 (700)	153/4 (400)	155/16 (389)	81/2 (216)	133/4 (350)	281/2 (724)	15/8 (41)x8UNC	-	24	20	4
24" (DN600)	23 (585)	2213/16 (580)	-	611/16 (170)	-	3513/16 (910)	2213/16 (580)	279/16 (700)	1915/16 (506)	193/8 (492)	91/8 (232)	153/8 (390)	33 (838)	17/8 (48)x8UNC	-	24	16	8

*W2: 6"-24"/DN150-DN600 - 4

WEIGHT - LB (KG)

Valve Size	2" /DN50	2 1/2" DN65	3" /DN80	4" /DN100	5" /DN125	6" /DN150	8" /DN200	10" /DN250	12" /DN300	14" /DN350	16" /DN400	18" /DN450	20" /DN500	24" /DN600
CLASS 150	9 (4)	15 (7)	22 (10)	24 (11)	29 (13)	33 (15)	55 (25)	99 (45)	143 (65)	178 (81)	323 (146)	359 (163)	447 (203)	763 (346)
CLASS 300	9 (4)	15 (7)	22 (10)	24 (11)	40 (18)	48 (22)	81 (37)	178 (81)	196 (89)	328 (149)	464 (210)	605 (274)	662 (300)	1005 (456)
CLASS 600	-	-	53 (24)	68 (31)	114 (52)	163 (74)	260 (118)	438 (199)	667 (302)	920 (417)	1122 (509)	1415 (642)	1617 (733)	2110 (957)



Copyright © 2016 Henry Pratt Company, LLC. All Rights Reserved.
The trademarks, logos and service marks displayed in this document herein are the property of Henry Pratt Company, LLC, its affiliates or other third parties. Please contact your Pratt Sales or Customer Service Representative concerning any other application(s).