

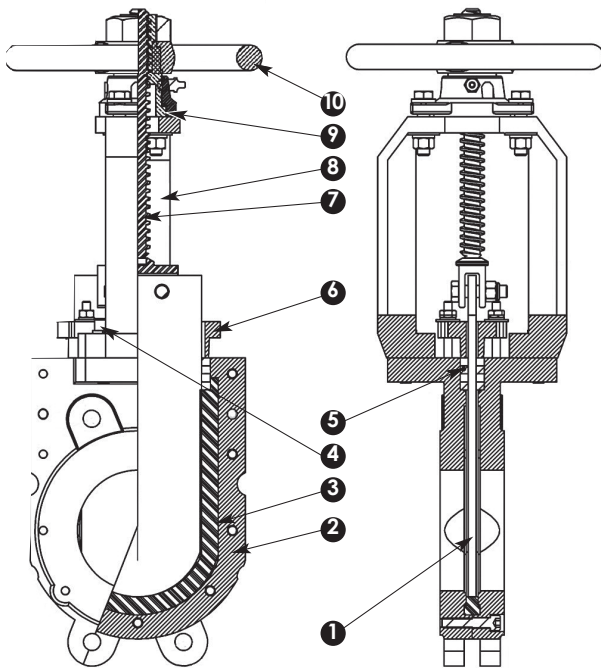
Ductile Iron Resilient Seated Knife Gate Valve

PRATT®



PRODUCT FEATURES

- Sizes: 2" –16"/DN50 – DN400.
- Heavy-duty Cast Ductile Iron body, packing gland, and yoke for the most rugged service.
- Through bolting allows easy installation.
- Easily replaceable Natural Rubber or EPDM seat provides bi-directional drip tight seal up to 150psig/10barg.
- Flush Seat eliminates pockets.
- Rubber Seat with molded-in Steel reinforcement, prevents gate movement from displacing Seat.
- Machined Stainless Steel gate provides corrosion resistance and durability.
- Easy conversion from handwheel operator to hydraulic or pneumatic cylinder, bevel gear, chain wheel, electric motor, or fail safe spring cylinder operator.
- Enclosed Bronze stem bushing reduces operating torque and protects stem bushing in harsh environments.
- Stainless Steel Stem for corrosion resistance.
- Full packing seal around gate minimizes the potential for packing leakage.
- MSS SP-81 face-to-face and flange dimensions, PN10 & PN16 drilling available.
- Minimum 4 bolt packing gland to ensure proper gland alignment in all valve sizes.
- Fully epoxy coated for corrosion resistance.
- Standard TFE lubricated synthetic packing (TLSP).
- MSS SP-81 Stainless Steel, Bonnetless, Flanged Knife Gate Valves also available.
- AWWA C520 Knife Gate Valves, 2" –16"/DN50 –DN400 also available.



PARTS LIST

ID	Part Name	Material Standards
1	Gate	Stainless Steel
2	Body	Ductile Iron
3	Seat	Natural Rubber*
4	Bolts	Stainless Steel
5	Packing	TLSP**
6	Gland	Ductile Iron
7	Stem	Stainless Steel
8	Yoke	Ductile Iron
9	Stem Nut	Bronze
10	Handwheel	See Note 1

* Buna-N and EPDM seats also available.

**TLSP = TFE Lubricated Synthetic Packing.

Notes:

1. Normally supplied with handwheel for manual operation, but can be modified for chainwheel, bevel gear, fail safe spring cylinder, electric motor, hydraulic or pneumatic cylinder operator.

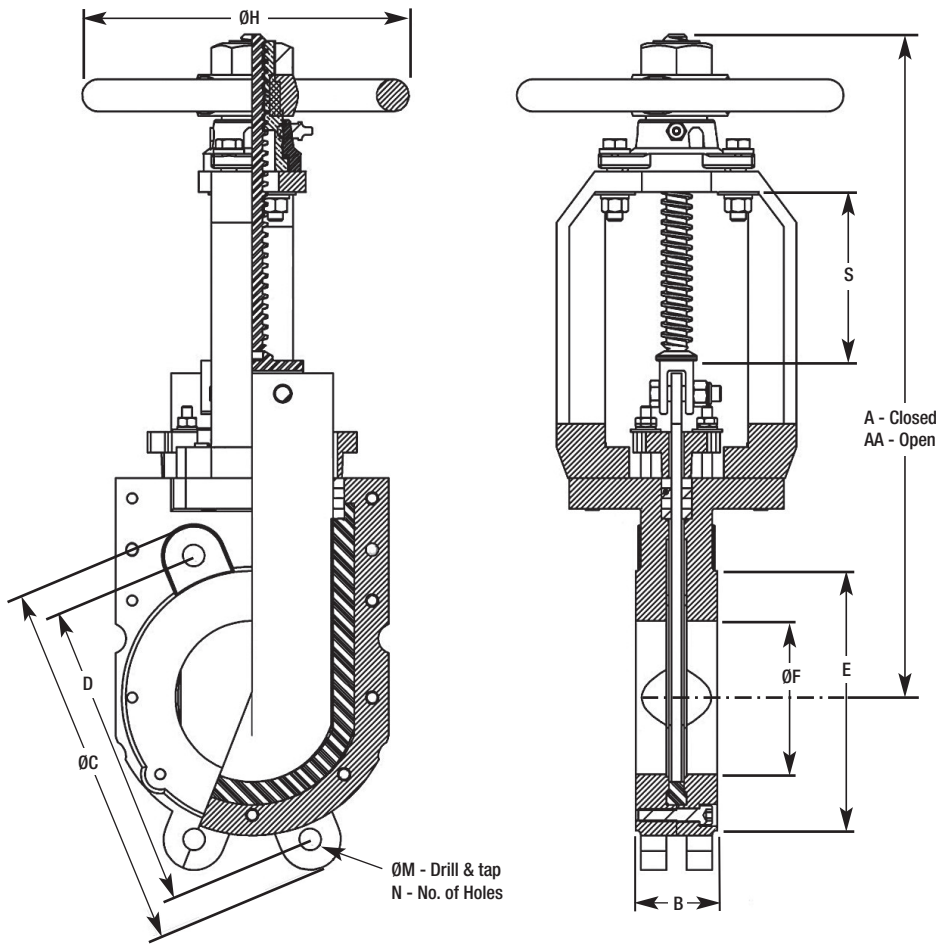
Mueller Co.

Reliable Connections®

Mueller Co. International Division • 6125 Preservation Dr., Suite 200 • Chattanooga, TN 37416 USA
p +1.423.490.9555 • f +1.423.531.0033 • international@muellercompany.com • mueller-international.com

Form 13070 – Rev 12/16

Ductile Iron Resilient Seated Knife Gate Valve



DIMENSIONS - INCHES (MM)

Valve Size	A - Closed	AA - Open	B	ØC	D	E	ØF	ØH	ØM	N	S	Wt.-Lb. (kg.)
2"/DN80	13 (330)	15 (381)	17/8 (48)	6 (152)	43/4 (121)	41/8 (105)	2 (51)	8 (203)	5/8 (16)x11	4	2 (51)	19 (9)
3"/DN80	143/4 (375)	173/4 (451)	2 (51)	71/2 (191)	6 (121)	5 (127)	21/2 (79)	8 (203)	5/8 (16)x11	4	3 (76)	29 (13)
4"/DN100	169/16 (421)	209/16 (522)	2 (51)	9 (229)	71/2 (191)	63/16 (157)	31/2 (102)	8 (203)	5/8 (16)x11	8	4 (102)	46 (21)
6"/DN150	201/2 (521)	261/2 (673)	21/4 (57)	11 (279)	91/2 (241)	81/2 (216)	51/4 (152)	12 (305)	3/4 (19)x10	8	6 (152)	75 (34)
8"/DN200	241/4 (616)	321/2 (826)	23/4 (70)	131/2 (343)	113/4 (298)	105/8 (270)	71/4 (203)	12 (305)	3/4 (19)x10	8	81/4 (210)	118 (53)
10"/DN250	29 (737)	391/4 (977)	23/4 (70)	16 (406)	141/4 (362)	123/4 (324)	9 (245)	16 (406)	7/8 (22)x9	12	101/4 (260)	180 (82)
12"/DN300	345/8 (879)	47 (1194)	3 (76)	19 (483)	17 (432)	15 (381)	111/4 (305)	20 (508)	7/8 (22)x9	12	123/8 (314)	295 (134)
14"/DN350	40 (1016)	541/4 (1378)	3 (76)	21 (533)	183/4 (476)	17 (413)	1213/16 (349)	20 (508)	1 (25)x8	12	141/4 (362)	345 (156)
16"/DN400	44 (1118)	59 (1499)	31/2 (89)	231/2 (597)	211/4 (540)	181/2 (470)	143/4 (406)	20 (508)	1 (25)x8	16	15 (381)	455 (206)