

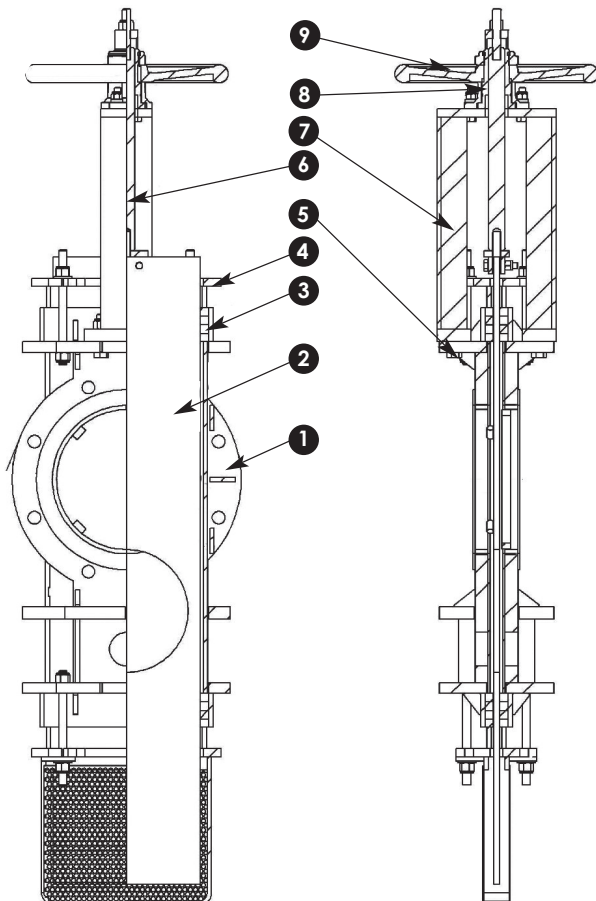
# Fabricated Slide Gate Valve

# PRATT®



## PRODUCT FEATURES

- Sizes: 3" –36"/DN80 –DN900.
- Stainless Steel lined body (suited for wet or dry dense and abrasive media) as well as Stainless Steel stem, gate, seat, and raised face.
- Body cavity, seat configuration, and beveled gate designed provides shut-off capability in thick media such as pulp stock and slurries, or with solid media like pellets and powders.
- Smooth flow non-clogging full port design.
- Heavy-duty body design resists deflection from line loads and internal pressure.
- Gate design withstands full 150psig/10barg pressure as required by MSS SP-81.
- Valve seat face is protected by gate in both open and closed positions.
- Enclosed Bronze stem bushing reduces operating torque and protects stem bushing in harsh environments.
- Operators available: handwheel, chainwheel, bevel gear, hydraulic or pneumatic cylinder, fail safe spring cylinder, or electric motor.
- Can manufacture in special materials such as Alloy 20, Hastelloy, Titanium, and Monel for severe services. Coatings can be added to protect blade.
- Wiper available in packing to provide gate support and stabilize packing seal.
- Flanges meet ANSI B16.5-150 standards with all tapped holes and serrated gasket faces, PN10 & PN16 drilling also available.
- Hard-faced seat option available to prevent galling in high cycle and/or high end pressure or abrasive applications.
- V-Port or O-Ring resilient seat options available to suit specific applications.
- Standard TFE lubricated synthetic packing (TLSP) rated to 260° C and pH range of 3-11.
- Custom designed sizes, pressures, and configurations available.



## PARTS LIST

ID	Part Name	Material Standards
1	Body Seat, RF, Flanges, Ext. Trim	W44, A44 –304 SS); W66, A66 –316 SS; A77 –317 SS
2	Gate	W44, A44–304 SS;W66, A66–316 SS; A77–317 SS
3	Packing	W44, A44, W66, A66–TFE/SYN; A77–TFE
4	Packing Gland	W44, W66–Steel; A44–304 SS; A66–316 SS; A77–317 SS
5	Bolting	W44, W66 – Plated; A44, A66, A77–304 SS
6	Stem & Clevis	304 Stainless Steel
7	Yoke	W44, W66–Steel; A44, A66, A77–304 SS
8	Stem Bushing	Bronze
9	Handwheel	Cast Iron

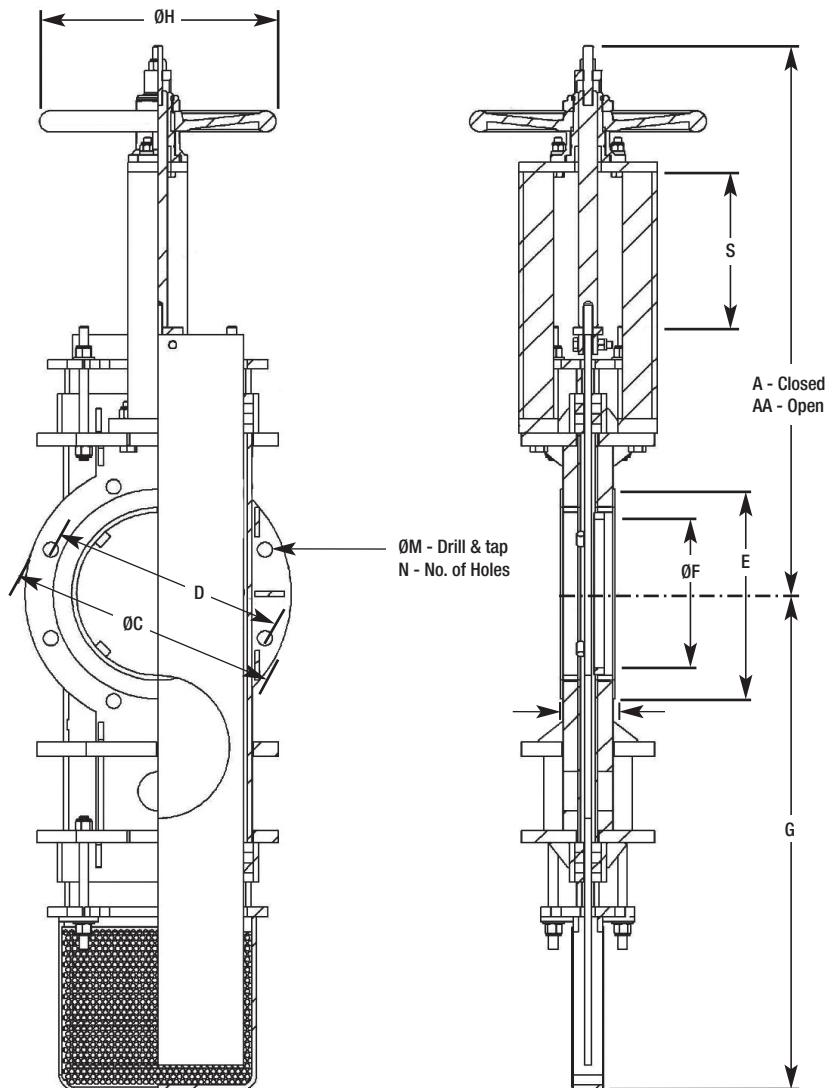
**Mueller Co.**

Reliable Connections®

 Mueller Co. International Division • 6125 Preservation Dr., Suite 200 • Chattanooga, TN 37416 USA  
 p +1.423.490.9555 • f +1.423.531.0033 • international@muellercompany.com • [mueller-international.com](http://mueller-international.com)

Form 13067 – Rev 12/16

# Fabricated Slide Gate Valve



## DIMENSIONS - INCHES (MM)

Valve Size	A - Closed	AA - Open	B	ØC	D	E	ØF	G	ØH	ØM	N	S
3"/DN80	17 <sup>5</sup> / <sub>8</sub> (448)	20 <sup>1</sup> / <sub>2</sub> (521)	2 (51)	7 <sup>1</sup> / <sub>2</sub> (191)	6 (152)	5 (127)	2 <sup>1</sup> / <sub>2</sub> (64)	11 <sup>11</sup> / <sub>16</sub> (297)	8 (203)	5/8 (16)x11	4	2 <sup>13</sup> / <sub>16</sub> (71)
4"/DN100	21 (533)	25 (635)	2 (51)	9 (229)	7 <sup>1</sup> / <sub>2</sub> (191)	6 <sup>3</sup> / <sub>16</sub> (157)	3 <sup>1</sup> / <sub>2</sub> (89)	13 <sup>1</sup> / <sub>4</sub> (337)	8 (203)	5/8 (16)x11	8	3 <sup>7</sup> / <sub>8</sub> (98)
6"/DN150	23 <sup>3</sup> / <sub>8</sub> (594)	29 (737)	2 <sup>1</sup> / <sub>4</sub> (57)	11 (279)	9 <sup>1</sup> / <sub>2</sub> (241)	8 <sup>1</sup> / <sub>2</sub> (216)	5 <sup>1</sup> / <sub>4</sub> (133)	19 <sup>1</sup> / <sub>8</sub> (486)	12 (305)	3/4 (19)x10	8	5 <sup>3</sup> / <sub>4</sub> (146)
8"/DN200	27 <sup>3</sup> / <sub>8</sub> (695)	35 (889)	2 <sup>3</sup> / <sub>4</sub> (70)	13 <sup>1</sup> / <sub>2</sub> (343)	11 <sup>3</sup> / <sub>4</sub> (298)	10 <sup>5</sup> / <sub>8</sub> (270)	7 <sup>1</sup> / <sub>4</sub> (184)	25 <sup>9</sup> / <sub>16</sub> (649)	12 (305)	3/4 (19)x10	8	7 <sup>5</sup> / <sub>8</sub> (194)
10"/DN250	30 <sup>1</sup> / <sub>4</sub> (768)	39 <sup>7</sup> / <sub>8</sub> (1013)	2 <sup>3</sup> / <sub>4</sub> (70)	16 (406)	14 <sup>1</sup> / <sub>4</sub> (362)	12 <sup>3</sup> / <sub>4</sub> (324)	9 (229)	18 <sup>7</sup> / <sub>8</sub> (479)	16 (406)	7/8 (22)x9	12	9 <sup>3</sup> / <sub>4</sub> (248)
12"/DN300	25 <sup>3</sup> / <sub>8</sub> (645)	35 <sup>1</sup> / <sub>8</sub> (892)	3 (76)	19 (483)	17 (432)	15 (381)	11 <sup>1</sup> / <sub>4</sub> (286)	34 <sup>3</sup> / <sub>4</sub> (883)	16 (406)	7/8 (22)x9	12	11 <sup>3</sup> / <sub>4</sub> (298)
14"/DN350	39 <sup>5</sup> / <sub>8</sub> (1006)	53 <sup>5</sup> / <sub>8</sub> (1362)	3 (76)	21 (533)	18 <sup>3</sup> / <sub>4</sub> (476)	16 <sup>1</sup> / <sub>4</sub> (413)	12 <sup>13</sup> / <sub>16</sub> (325)	40 <sup>1</sup> / <sub>4</sub> (1022)	20 (508)	1 (25)x8	12	13 <sup>3</sup> / <sub>4</sub> (349)
16"/DN400	43 <sup>1</sup> / <sub>2</sub> (1105)	58 <sup>7</sup> / <sub>8</sub> (1495)	3 <sup>1</sup> / <sub>2</sub> (89)	23 <sup>1</sup> / <sub>2</sub> (594)	21 <sup>1</sup> / <sub>4</sub> (540)	18 <sup>1</sup> / <sub>2</sub> (470)	14 <sup>3</sup> / <sub>4</sub> (375)	43 <sup>5</sup> / <sub>8</sub> (1108)	20 (508)	1 (25)x8	16	15 <sup>3</sup> / <sub>8</sub> (391)
18"/DN450	44 <sup>3</sup> / <sub>8</sub> (1127)	62 <sup>1</sup> / <sub>8</sub> (1578)	3 <sup>1</sup> / <sub>2</sub> (89)	25 (635)	22 <sup>3</sup> / <sub>4</sub> (578)	21 (533)	16 <sup>3</sup> / <sub>4</sub> (425)	51 <sup>3</sup> / <sub>8</sub> (1305)	20 (508)	1 <sup>1</sup> / <sub>8</sub> (29)x7	16	17 <sup>3</sup> / <sub>4</sub> (451)
20"/DN500	47 <sup>7</sup> / <sub>8</sub> (1216)	66 <sup>7</sup> / <sub>8</sub> (1699)	4 <sup>1</sup> / <sub>2</sub> (114)	27 <sup>1</sup> / <sub>2</sub> (699)	25 (635)	23 (584)	18 (457)	54 (1372)	20 (508)	1 <sup>1</sup> / <sub>8</sub> (29)x7	20	19 (483)
24"/DN600	58 <sup>5</sup> / <sub>8</sub> (1489)	81 <sup>5</sup> / <sub>8</sub> (2073)	4 <sup>1</sup> / <sub>2</sub> (114)	32 (813)	29 <sup>1</sup> / <sub>2</sub> (749)	27 <sup>1</sup> / <sub>4</sub> (692)	22 <sup>1</sup> / <sub>4</sub> (565)	64 <sup>7</sup> / <sub>8</sub> (1648)	24 (610)	1 <sup>1</sup> / <sub>8</sub> (29)x7	20	23 (584)

Valve Size	3"/DN80	4"/DN100	6"/DN150	8"/DN200	10"/DN250	12"/DN300	14"/DN350	16"/DN400	18"/DN450	20"/DN500	24"/DN600
Wt-Lb (Kg)	75 (34)	92 (42)	122 (55)	170 (77)	245 (111)	340 (154)	445 (202)	565 (256)	640 (290)	915 (415)	1145 (519)



Copyright © 2016 Henry Pratt Company, LLC. All Rights Reserved.  
 The trademarks, logos and service marks displayed in this document herein are the property of Henry Pratt Company, LLC, its affiliates or other third parties. Please contact your Pratt Sales or Customer Service Representative concerning any other application(s).