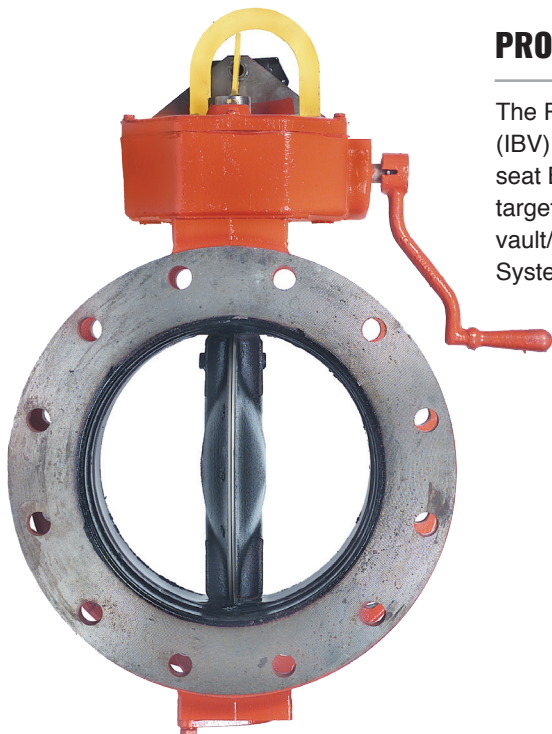


# IBV – Indicating Butterfly Valve

FOR SEAWATER SERVICE



## PRODUCT FEATURES

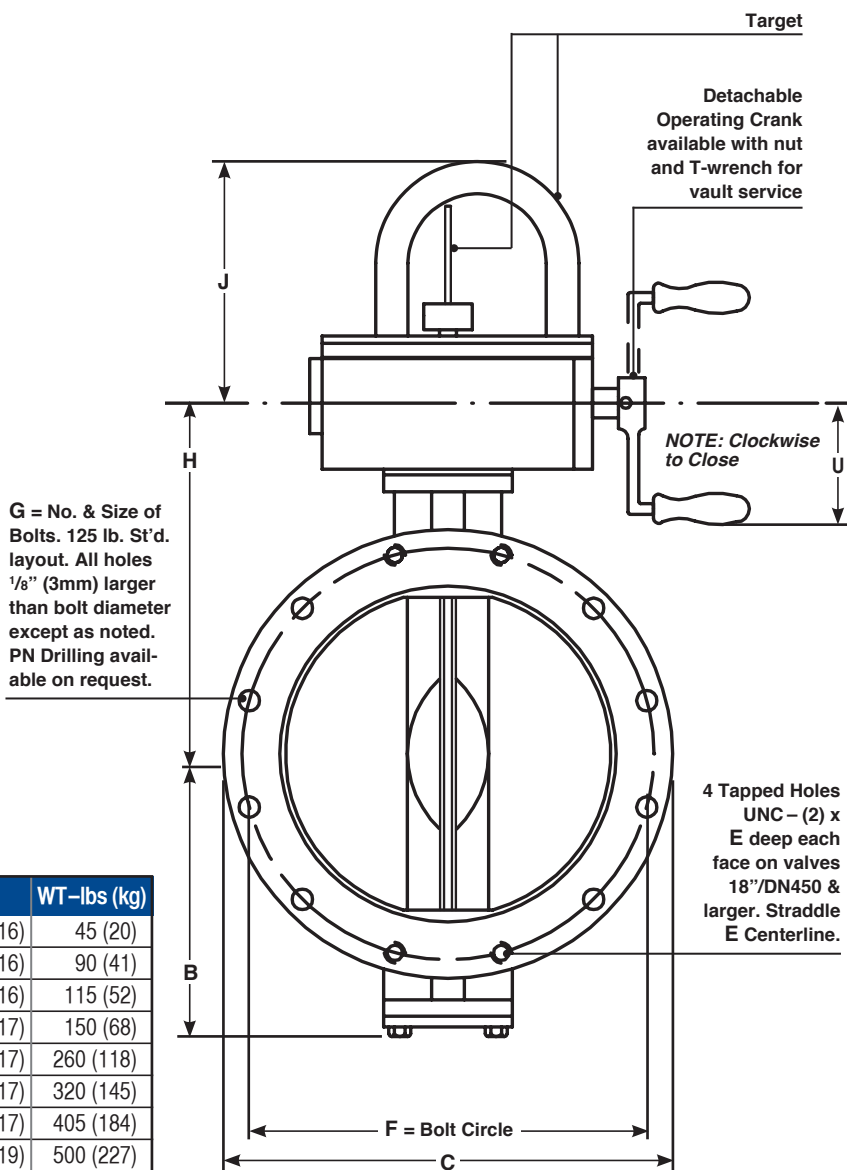
The Pratt Indicating Butterfly Valve (IBV) is a manually operated rubber seat Butterfly Valve with a high visibility target. The IBV is designed for indoor or vault/chamber service in Fire Protection Systems.

- Flanged IBV size range: 3" – 24"/DN80 – DN600, UL Listed 250psig/17barg.
- Conforms to AWWA C504 standards.
- Tested to UL 1091.
- Equipped with a weather proof Actuator.
- Does not require exercising.

## DIMENSIONS – inches (mm)

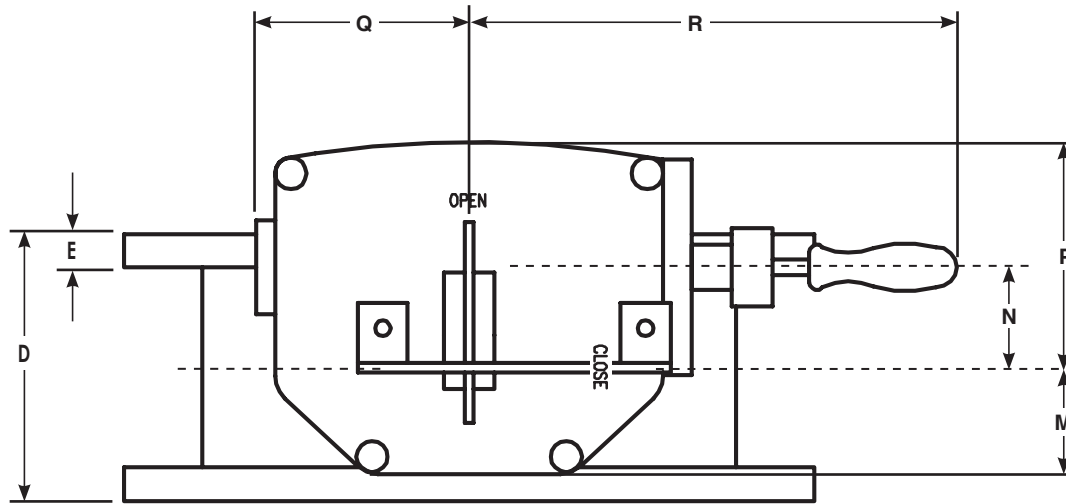
Valve Size	B	C	E	F
3"/DN80	3 <sup>3</sup> / <sub>4</sub> (95)	7 <sup>1</sup> / <sub>2</sub> (191)	1 <sup>3</sup> / <sub>16</sub> (21)	6 (152)
4"/DN100	4 <sup>1</sup> / <sub>2</sub> (114)	9 (229)	1 (25)	7 <sup>1</sup> / <sub>2</sub> (191)
6"/DN150	5 <sup>1</sup> / <sub>2</sub> (140)	11 (279)	1 <sup>1</sup> / <sub>16</sub> (27)	9 <sup>1</sup> / <sub>2</sub> (241)
8"/DN200	6 <sup>3</sup> / <sub>4</sub> (171)	13 <sup>1</sup> / <sub>2</sub> (343)	1 <sup>3</sup> / <sub>16</sub> (30)	11 <sup>3</sup> / <sub>4</sub> (298)
10"/DN250	9 <sup>7</sup> / <sub>8</sub> (251)	16 (406)	1 <sup>1</sup> / <sub>8</sub> (29)	14 <sup>1</sup> / <sub>4</sub> (362)
12"/DN300	11 <sup>3</sup> / <sub>8</sub> (289)	19 (483)	1 <sup>5</sup> / <sub>16</sub> (33)	17 (432)
14"/DN350	12 <sup>5</sup> / <sub>8</sub> (321)	21 (533)	1 <sup>7</sup> / <sub>16</sub> (36)	18 <sup>3</sup> / <sub>4</sub> (476)
16"/DN400	14 <sup>1</sup> / <sub>2</sub> (368)	23 <sup>1</sup> / <sub>2</sub> (597)	1 <sup>1</sup> / <sub>2</sub> (38)	21 <sup>1</sup> / <sub>4</sub> (540)
18"/DN450	15 <sup>1</sup> / <sub>4</sub> (387)	25 (635)	1 <sup>5</sup> / <sub>8</sub> (41)	22 <sup>3</sup> / <sub>4</sub> (578)
20"/DN500	17 (432)	27 <sup>1</sup> / <sub>2</sub> (698)	1 <sup>3</sup> / <sub>4</sub> (44)	25 (635)
24"/DN600	18 <sup>5</sup> / <sub>8</sub> (473)	32 (813)	1 <sup>7</sup> / <sub>8</sub> (48)	29 <sup>1</sup> / <sub>2</sub> (749)

Valve Size	# Holes – ØG	H	J	U	WT – lbs (kg)
3"/DN80	4 – 5/8 (16)	6 <sup>3</sup> / <sub>8</sub> (162)	7 <sup>3</sup> / <sub>8</sub> (187)	4 <sup>9</sup> / <sub>16</sub> (116)	45 (20)
4"/DN100	8 – 5/8 (16)	7 <sup>15</sup> / <sub>32</sub> (190)	7 <sup>3</sup> / <sub>8</sub> (187)	4 <sup>9</sup> / <sub>16</sub> (116)	90 (41)
6"/DN150	8 – 3/4 (19)	8 <sup>1</sup> / <sub>2</sub> (216)	7 <sup>3</sup> / <sub>8</sub> (187)	4 <sup>9</sup> / <sub>16</sub> (116)	115 (52)
8"/DN200	8 – 3/4 (19)	9 <sup>3</sup> / <sub>4</sub> (248)	7 <sup>3</sup> / <sub>8</sub> (187)	8 <sup>9</sup> / <sub>16</sub> (217)	150 (68)
10"/DN250	12 – 7/8 (22)	11 <sup>7</sup> / <sub>16</sub> (390)	7 <sup>21</sup> / <sub>32</sub> (194)	8 <sup>9</sup> / <sub>16</sub> (217)	260 (118)
12"/DN300	12 – 7/8 (22)	12 <sup>15</sup> / <sub>16</sub> (329)	7 <sup>21</sup> / <sub>32</sub> (194)	8 <sup>9</sup> / <sub>16</sub> (217)	320 (145)
14"/DN350	12 – 1 (25)	14 <sup>3</sup> / <sub>4</sub> (375)	7 <sup>21</sup> / <sub>32</sub> (194)	8 <sup>9</sup> / <sub>16</sub> (217)	405 (184)
16"/DN400	16 – 1 (25)	16 <sup>11</sup> / <sub>32</sub> (415)	9 <sup>7</sup> / <sub>8</sub> (251)	12 <sup>9</sup> / <sub>16</sub> (319)	500 (227)
18"/DN450	16 – 1 <sup>1</sup> / <sub>8</sub> (29)	17 <sup>7</sup> / <sub>32</sub> (437)	9 <sup>7</sup> / <sub>8</sub> (251)	12 <sup>9</sup> / <sub>16</sub> (319)	610 (277)
20"/DN500	20 – 1 <sup>1</sup> / <sub>8</sub> (29)	19 <sup>15</sup> / <sub>32</sub> (494)	11 <sup>5</sup> / <sub>32</sub> (283)	12 <sup>9</sup> / <sub>16</sub> (319)	850 (295)
24"/DN600	20 – 1 <sup>1</sup> / <sub>4</sub> (32)	23 <sup>3</sup> / <sub>16</sub> (592)	12 <sup>1</sup> / <sub>8</sub> (308)	12 <sup>9</sup> / <sub>16</sub> (319)	1285 (583)



# IBV – Indicating Butterfly Valve

FOR SEAWATER SERVICE



## DIMENSIONS – inches (mm)

Valve Size	D	E
3"/DN80	5 (127)	1 <sup>3</sup> / <sub>16</sub> (21)
4"/DN100	5 (127)	1 (25)
6"/DN150	5 (127)	1 <sup>1</sup> / <sub>16</sub> (27)
8"/DN200	6 (152)	1 <sup>3</sup> / <sub>16</sub> (30)
10"/DN250	8 (203)	1 <sup>1</sup> / <sub>8</sub> (29)
12"/DN300	8 (203)	1 <sup>5</sup> / <sub>16</sub> (33)
14"/DN350	8 (203)	1 <sup>7</sup> / <sub>16</sub> (36)
16"/DN400	8 (203)	1 <sup>1</sup> / <sub>2</sub> (38)
18"/DN450	8 (203)	1 <sup>5</sup> / <sub>8</sub> (41)
20"/DN500	8 (203)	1 <sup>3</sup> / <sub>4</sub> (44)
24"/DN600	8 (203)	1 <sup>7</sup> / <sub>8</sub> (48)

Valve Size	M	N	P	Q	R
3" – 6"/DN80 – DN200	2 <sup>1</sup> / <sub>8</sub> (54)	2 (51)	4 <sup>1</sup> / <sub>2</sub> (114)	4 <sup>1</sup> / <sub>2</sub> (114)	11 (279)
8"/DN200	2 <sup>1</sup> / <sub>8</sub> (54)	2 (51)	4 <sup>1</sup> / <sub>2</sub> (114)	4 <sup>1</sup> / <sub>2</sub> (114)	13 <sup>5</sup> / <sub>16</sub> (339)
10"–14"/DN250 – DN350	3 <sup>1</sup> / <sub>4</sub> (83)	3 <sup>5</sup> / <sub>32</sub> (80)	5 (143)	5 <sup>3</sup> / <sub>8</sub> (137)	15 <sup>7</sup> / <sub>16</sub> (392)
16"–18"/DN400 – DN450	3 <sup>3</sup> / <sub>8</sub> (86)	4 (102)	7 <sup>5</sup> / <sub>16</sub> (186)	6 <sup>3</sup> / <sub>4</sub> (171)	18 <sup>3</sup> / <sub>4</sub> (476)
20"/DN500	4 <sup>1</sup> / <sub>2</sub> (114)	5 <sup>1</sup> / <sub>2</sub> (140)	8 <sup>3</sup> / <sub>4</sub> (222)	10 <sup>1</sup> / <sub>8</sub> (257)	24 (610)
24"/DN600	5 <sup>1</sup> / <sub>2</sub> (140)	3 <sup>5</sup> / <sub>8</sub> (92)	10 <sup>1</sup> / <sub>2</sub> (265)	15 <sup>15</sup> / <sub>16</sub> (405)	26 <sup>7</sup> / <sub>8</sub> (683)

**NOTE:** Dimensions +/- 1/16" (1.5mm) up to 10"/DN250 valves, +/- 1/8" (3mm) for 12"/DN300 and larger valves.

## MATERIALS OF CONSTRUCTION

Part	Material
Body	Ductile Iron ASTM A536 (65-45-12) - Fully Rubber Lined
Disc	Nickel-Aluminium-Bronze (NAB) ASTM B505 - C95500
Seat	NBR (EPDM option available)
Shaft	Super Duplex ASTM A479
Finish	PrattGuard 200 available to order

## FLANGED CONNECTIONS

Pratt IBV valve bodies are available with Flanged connections. Underwriters Laboratories Listing for Flanged Valves is 250psig/17barg. Each Valve is tested for five minutes with air pressure against a closed disc covered in a pool of water at the pressure above rated pressure required by UL rules. Mechanical Joint end connections also available, please contact us for details.



Copyright © 2016 Henry Pratt Company, LLC. All Rights Reserved. The trademarks, logos and service marks displayed in this document herein are the property of Henry Pratt Company, LLC, its affiliates or other third parties. These products are intended for use in potable water applications. Please contact your Pratt Sales or Customer Service Representative concerning any other application(s).