

PIVA – Post Indicator Valve Assembly

FOR SEAWATER SERVICE



PRODUCT FEATURES

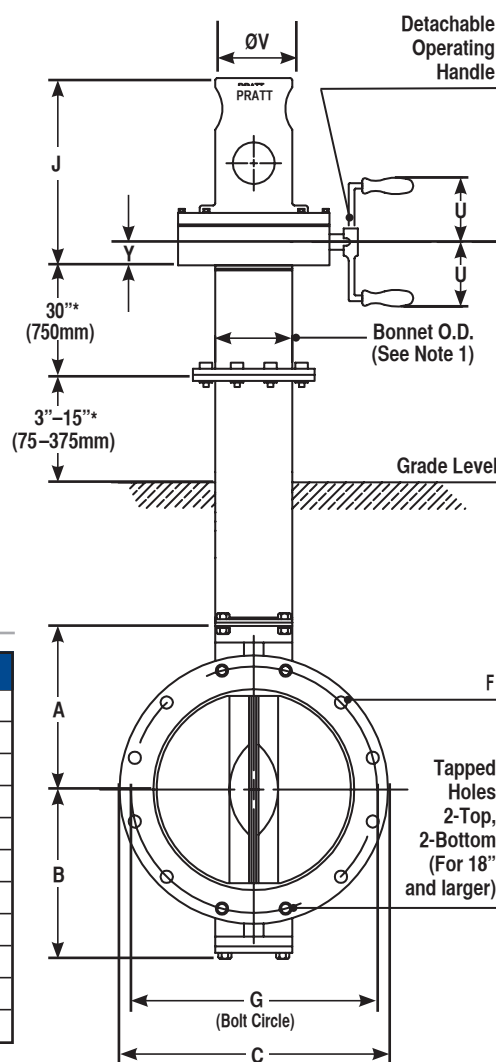
The Pratt® Post Indicator Valve Assembly (PIVA) is a manually operated, buried Butterfly Valve with a high visibility target. The PIVA includes a Torque Spring feature, if the Valve Indicator is damaged, the Torque Spring maintains the Valve in an open position.

- 3"/DN80 – 24"/DN600, UL Listed to 250psig/17barg.
- Wafer Style PIVA also available (lower pressure ratings apply).
- Torque Spring feature.

- Valve position visible from 300'/100m away.
- Ease of operation. Can be easily opened or closed by one person.
- Design includes a Safety/Traffic Break feature.
- Equipped with a weather proof Actuator.
- Does not require exercising.

MATERIALS OF CONSTRUCTION

Part	Material
Body	Ductile Iron ASTM A536 (65-45-12) – Fully Rubber Lined
Disc	Nickel-Aluminium-Bronze (NAB) ASTM B505 – C95500
Seat	NBR (EPDM option available)
Shaft	Super Duplex ASTM A479
Post and Spindle	Carbon Steel
Finish	PrattGuard 200 available to order



FLANGED END DIMENSIONS – inches (mm)

Valve Size	A	B	C-Flanged	C-Wafer	F=Qty-Ø Bolt -ØHole	G
3"/DN80	5 1/8 (130)	3 3/4 (95)	7 1/2 (191)	4 1/4 (108)	4 - 5/8 (16) - 3/4 (19)	6 (152)
4"/DN100	5 7/8 (149)	4 1/2 (114)	9 (229)	6 3/4 (171)	8 - 5/8 (16) - 3/4 (19)	7 1/2 (190)
6"/DN150	6 7/8 (175)	5 1/2 (140)	11 (279)	8 5/8 (219)	8 - 3/4 (19) - 7/8 (22)	9 1/2 (241)
8"/DN200	8 1/8 (206)	6 3/4 (172)	13 1/2 (343)	10 7/8 (276)	8 - 3/4 (19) - 7/8 (22)	11 3/4 (298)
10"/DN250	9 3/8 (238)	9 7/8 (251)	16 (406)	13 1/4 (337)	12 - 7/8 (22) - 1 (25)	14 1/4 (362)
12"/DN300	11 (279)	11 3/8 (289)	19 (483)	16 (406)	12 - 7/8 (22) - 1 (25)	17 (432)
14"/DN350	12 3/8 (314)	12 5/8 (321)	21 (533)	17 5/8 (448)	12 - 1 (25) - 1 1/8 (28)	18 3/4 (476)
16"/DN400	14 (356)	14 1/2 (368)	23 1/2 (597)	20 1/8 (511)	16 - 1 (25) - 1 1/8 (28)	21 1/4 (540)
18"/DN450	14 7/8 (378)	15 1/4 (387)	25 (635)	21 1/2 (546)	16 - 1 1/8 (28) - 1 1/4 (32)	22 3/4 (578)
20"/DN500	16 1/2 (419)	17 (432)	27 1/2 (698)	23 3/4 (603)	20 - 1 1/8 (28) - 1 1/4 (32)	25 (635)
24"/DN600	19 3/8 (492)	18 1/2 (470)	32 (813)	—	20 - 1 1/4 (32) - 1 1/2 (38)	29 1/2 (749)

Actuator Size	Valve Size	J	U	ØV	Y	No. of Turns
MDT-2S	3"/DN80 – 8"/DN200	12 (304)	8 5/8 (219)	4 1/2 (114)	2 (51)	32
MDT-3S	10"/DN250 – 14"/DN350	12 7/8 (327)	8 5/8 (219)	4 1/2 (114)	2 7/16 (62)	30
MDT-4S	16"/DN400 – 18"/DN450	13 1/2 (343)	12 9/16 (319)	4 1/2 (114)	2 27/32 (72)	40
MDT-5	20"/DN500	14 3/4 (375)	12 9/16 (319)	4 1/2 (114)	3 1/2 (89)	44
MDT-5S	24"/DN600	17 1/4 (438)	12 9/16 (319)	4 1/2 (114)	4 (102)	136

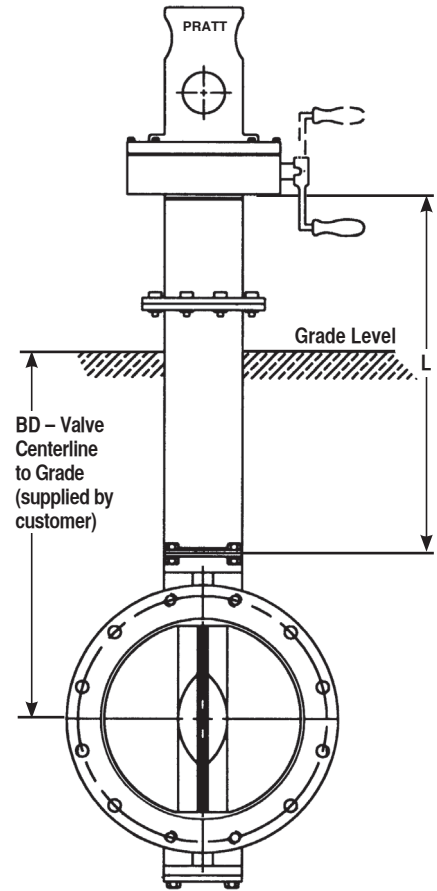
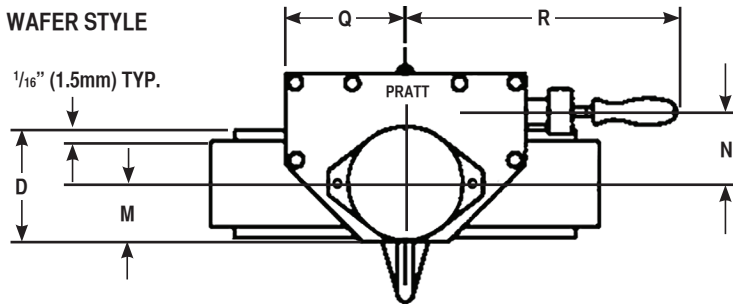
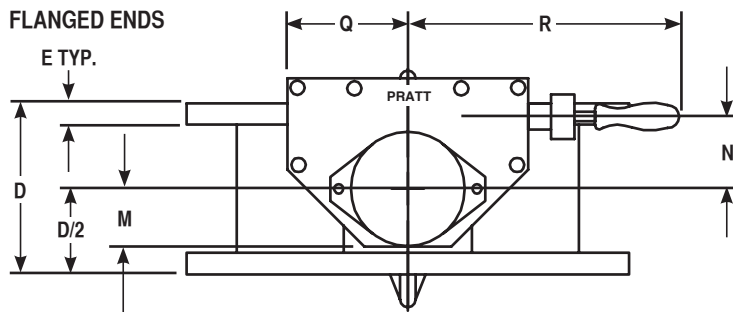
NOTES:
 1. Outer Tube O.D. is 4 1/2" (114mm) on sizes 8"/DN200 and smaller, 5 9/16" (141mm) on Valve sizes 10"/DN250 – 14"/DN350, 6 5/8" (168mm) on Valve sizes 16"/DN400 and 18"/DN450, 8 5/8" (219mm) on 20"/DN500) – 24"/DN600.

*For sizes 20"/DN500 & 24"/DN600, grade to Gear dimension 23" (585mm) – 45" (1145mm), based on Bury Depth (BD).



PIVA – Post Indicator Valve Assembly

FOR SEAWATER SERVICE



DIMENSIONS – inches (mm)

	BD – Valve Size			L – Valve Size
	3"/DN80	4"/DN100	6"/DN150	3"/DN80–18"/DN450
BURIED DEPTH –	1'2 1/4"–2'2 1/4" (362–667)	1'3"–2'3" (381–686)	1'4"–2'4" (406–711)	54 (1372)
	2'2 1/4"–3'2 1/4" (667–971)	2'3"–3'3" (686–991)	2'4"–3'4" (711–1016)	66 (1676)
	3'2 1/4"–4'2 1/4" (971–1276)	3'3"–4'3" (991–1295)	3'4"–4'4" (1016–1321)	78 (1981)
	4'2 1/4"–5'2 1/4" (1276–1581)	4'3"–5'3" (1295–1600)	4'4"–5'4" (1321–1626)	90 (2286)
	5'2 1/4"–6'2 1/4" (1581–1886)	5'3"–6'3" (1600–1855)	5'4"–6'4" (1626–1930)	102 (2591)
	6'2 1/4"–7'2 1/4" (1886–2191)	6'3"–7'3" (1855–2210)	6'4"–7'4" (1930–2235)	114 (2896)
	7'2 1/4"–8'2 1/4" (2191–2495)	7'3"–8'3" (2210–2515)	7'4"–8'4" (2235–2540)	126 (3200)

	BD – Valve Size						L – Valve Size
	8"/DN200	10"/DN250	12"/DN300	14"/DN350	16"/DN400	18"/DN450	3"/DN80–18"/DN450
BURIED DEPTH –	1'5"–2'5" (432–737)	1'6"–2'6" (457–762)	1'8"–2'8" (508–813)	1'9"–2'9" (533–838)	1'10"–2'10" (559–867)	1'11"–2'11" (584–889)	54 (1372)
	2'5"–3'5" (737–1041)	2'6"–3'6" (762–1067)	2'8"–3'8" (813–1118)	2'9"–3'9" (838–1143)	2'10"–3'10" (867–1168)	2'11"–3'11" (889–1194)	66 (1676)
	3'5"–4'5" (1041–1346)	3'6"–4'6" (1067–1372)	3'8"–4'8" (1118–1422)	3'9"–4'9" (1143–1448)	3'10"–4'10" (1168–1473)	3'11"–4'11" (1194–1499)	78 (1981)
	4'5"–5'5" (1346–1651)	4'6"–5'6" (1372–1676)	4'8"–5'8" (1422–1727)	4'9"–5'9" (1448–1753)	4'10"–5'10" (1473–1778)	4'11"–5'11" (1499–1803)	90 (2286)
	5'5"–6'5" (1651–1956)	5'6"–6'6" (1676–1981)	5'8"–6'8" (1727–2032)	5'9"–6'9" (1753–2057)	5'10"–6'10" (1778–2083)	5'11"–6'11" (1803–2108)	102 (2591)
	6'5"–7'5" (1956–2261)	6'6"–7'6" (1981–2286)	6'8"–7'8" (2032–2337)	6'9"–7'9" (2057–2362)	6'10"–7'10" (2083–2388)	6'11"–7'11" (2108–2413)	114 (2896)
	7'5"–8'5" (2261–2565)	7'6"–8'6" (2286–2591)	7'8"–8'8" (2337–2642)	7'9"–8'9" (2362–2667)	7'10"–8'10" (2388–2692)	7'11"–8'11" (2413–2718)	126 (3200)

BURIED DEPTH –	BD – Valve Size		L – Valve Size	
	20"/DN500 & 24"/DN600	20"/DN500	24"/DN600	
	2'6"–3'3" (762–990)	49 (1245)	48 (1219)	
	3'3"–4'9" (990–1448)	67 (1701)	62 (1575)	
	4'9"–6'3" (1448–1855)	85 (2159)	80 (2032)	
	6'3"–7'9" (1855–2362)	103 (2616)	98 (2489)	
	7'9"–9'3" (2362–2820)	121 (3073)	116 (2946)	

Actuator Size	Valve Size	M	N	Q	R
MDT-2S	3"/DN80 – 8"/DN200	2 1/8 (54)	2 (51)	4 1/2 (114)	13 5/16 (287)
MDT-3S	10"/DN250 – 14"/DN350	3 1/4 (83)	3 3/32 (80)	5 3/8 (136)	15 7/16 (392)
MDT-4S	16"/DN400 – 18"/DN450	3 3/8 (86)	4 (102)	6 3/4 (171)	18 3/4 (476)
MDT-5	20"/DN500	4 1/2 (114)	5 1/2 (140)	10 1/8 (257)	24 (610)
MDT-5S	24"/DN600	5 1/2 (140)	3 3/8 (92)	15 15/16 (405)	26 9/32 (498)

Valve Size	3"/DN80	4"/DN100	6"/DN150	8"/DN200	10"/DN250	12"/DN300	14"/DN350	16"/DN400	18"/DN450	20"/DN500	24"/DN600
D – Wafer	2 1/16 (53)	2 5/16 (59)	2 15/16 (75)	3 1/16 (78)	3 3/16 (81)	3 7/16 (87)	3 11/16 (93)	4 3/16 (106)	4 11/16 (119)	5 3/16 (132)	--
D – Flanged Ends	5 (127)	5 (127)	5 (127)	6 (152)	8 (203)	8 (203)	8 (203)	8 (203)	8 (203)	8 (203)	8 (203)
E – Flanged Ends	1 3/16 (21)	1 (25)	1 1/16 (27)	1 3/16 (30)	1 1/8 (27)	1 5/16 (33)	1 7/16 (37)	1 1/2 (38)	1 5/8 (41)	1 3/4 (44)	1 15/16 (49)

Pratt® PIVA® Valve bodies are available with Wafer or Flanged connections in sizes 3"/DN80 – 24"/DN600 in a variety of Post Lengths to accommodate varying bury depths. Each Valve Assembly is tested for five minutes with air pressure against a closed disc covered in a pool of water at the pressure above rated pressure required by UL rules. Mechanical Joint end connections also available, please contact us for details.



Copyright © 2017 Henry Pratt Company, LLC. All Rights Reserved.
The trademarks, logos and service marks displayed in this document herein are the property of Henry Pratt Company, LLC, its affiliates or other third parties. These products are intended for use in potable water applications. Please contact your Pratt Sales or Customer Service Representative concerning any other application(s).