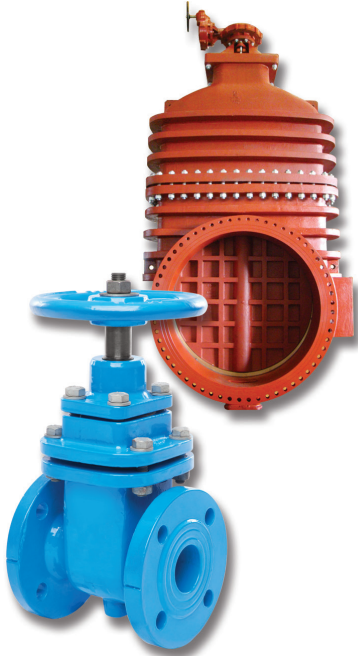


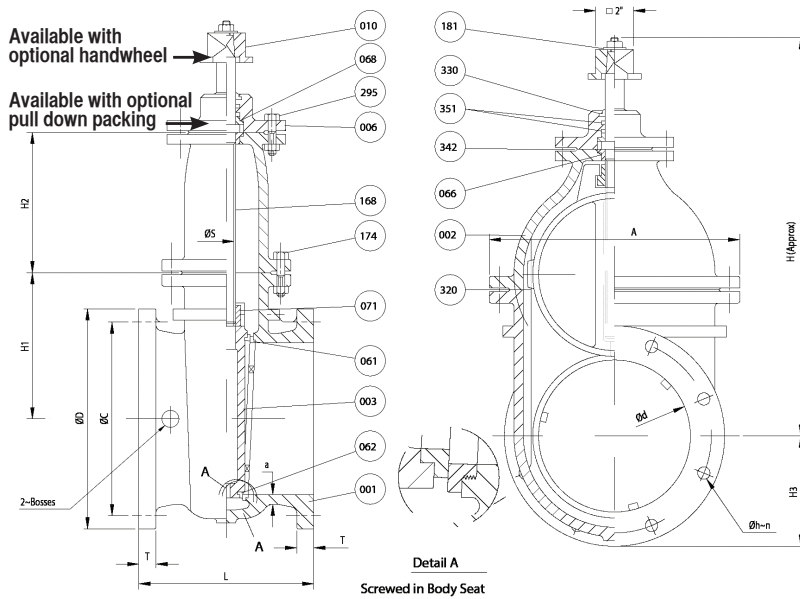
# Metal Seat Solid Wedge Gate Valve



## PRODUCT FEATURES



- Designed and manufactured for use in wastewater and sewage applications.
- 3" through 96" / DN80 through DN2400
- 250 psi / 17 barg operating temperature
- Ductile Iron (ASTM A536 Gr. 64-45-12) body and disc
- Coated with liquid epoxy
- Bronze (ASTM B62) Disc & Seat Ring
- Conforms with AWWA C500, ANSI B16.1 CL. 125 # Drilling (250# drilling available upon request)
- Available with flanged or mechanical joint ends
- Bronze trim with 304 stainless steel stems
- Bronze body and wedge guides in all valves 16" and larger
- Manufactured with by-passes, clean-out ports, indicator, rollers and tracks and/or extension stems and floor stands.
- Available with o-ring stem seal or pull down packing
- Full flow waterway assures top performance and prevents clogging
- Extra wide bronze surfaces on disc and seat provide large seating area
- Corrosion resistant one piece stem is manufactured using high strength stainless steel
- Corrosion fitting stem to wedge connection maintains alignment of components



Material List				
No.	Parts	Materials	ASTM Design	Qty.
351	O-Ring	Rubber (Buna N)	D 2000 BK 707	2
342	Stuffing Box Gasket	Rubber (Buna)	D 2000 BK 807	1
330	Wiper Ring	Rubber (Buna)	D 2000 BK 707	1
320	Bonnet Gasket	Rubber (Buna)	D 2000 BK 807	1
299	Stuffing Box Bolt	Zinc Coated Steel	A 307 Grade B	1 set
295	Stuffing Box Bolt & Nut	Zinc Coated Steel	A 307 Grade B	1 set
181	Top Nut	Zinc Coated Steel	A 307 Grade B	1
175	Bonnet Bolt & Nut	Zinc Coated Steel	A 307 Grade B	1 set
174	Bonnet Bolt & Nut	Zinc Coated Steel	A 307 Grade B	1 set
168	Stem	Stainless Steel	A 272 Type 304	1
071	Stem Nut	Bronze	B62	1
068	Stuffing Box Bushing	Bronze	B62	1
066	Bonnet Bushing	Bronze	B62	1
062	Disc Seat Ring	Bronze	B62	2
061	Body Seat Ring	Bronze	B62	2
010	Operating Nut	Cast Iron	A 126 Class B	1
006	Stuffing Box	Ductile Iron	A 536 Gr. 65-45-12	1
003	Disc	Ductile Iron	A 536 Gr. 65-45-12	1
002	Bonnet	Ductile Iron	A 536 Gr. 65-45-12	1
001	Body	Ductile Iron	A 536 Gr. 65-45-12	1

## DIMENSIONS - INCHES (MM)

Size Ød in.	L	ANSI B 16.1 Class 125						a (min)	A	ØS at base of thread	H	H1	H2	H3
		ØD	ØC	Øh	n	T								
3 (DN80)	8 (203)	7 1/2 (191)	6 (152)	3/4 (19)	4 (102)	3/4 (19)	0.37 (9)	7.72 (196)	0.874 (22)	13.19 (335)	4.93 (125)	3.04 (77)	3.75 (95)	
4 (DN100)	9 (229)	9 (229)	7 1/2 (191)	3/4 (19)	8 (203)	15/16 (24)	0.40 (10)	8.78 (223)	0.874 (22)	14.68 (373)	5.71 (145)	3.63 (92)	4.50 (114)	
6 (DN150)	10 1/2 (267)	11 (279)	9 1/2 (241)	7/8 (22)	8 (203)	1 (25)	0.43 (11)	11.11 (282)	1.034 (26)	18.70 (475)	7.49 (190)	5.44 (138)	5.50 (140)	
8 (DN200)	11 1/2 (292)	13 1/2 (343)	11 3/4 (299)	7/8 (22)	8 (203)	1 1/8 (29)	0.50 (13)	14.02 (356)	1.034 (26)	22.00 (559)	9.06 (230)	7.25 (184)	6.75 (172)	
10 (DN250)	13 (330)	16 (406)	14 1/4 (362)	1 (25)	12 (305)	1 3/16 (30)	0.63 (16)	16.46 (418)	1.157 (29)	25.39 (645)	10.95 (278)	8.67 (220)	8.00 (203)	
12 (DN300)	14 (356)	19 (483)	17 (432)	1 (25)	12 (305)	1 1/4 (32)	0.68 (17)	18.82 (478)	1.192 (30)	28.97 (736)	11.82 (300)	11.03 (280)	9.50 (241)	

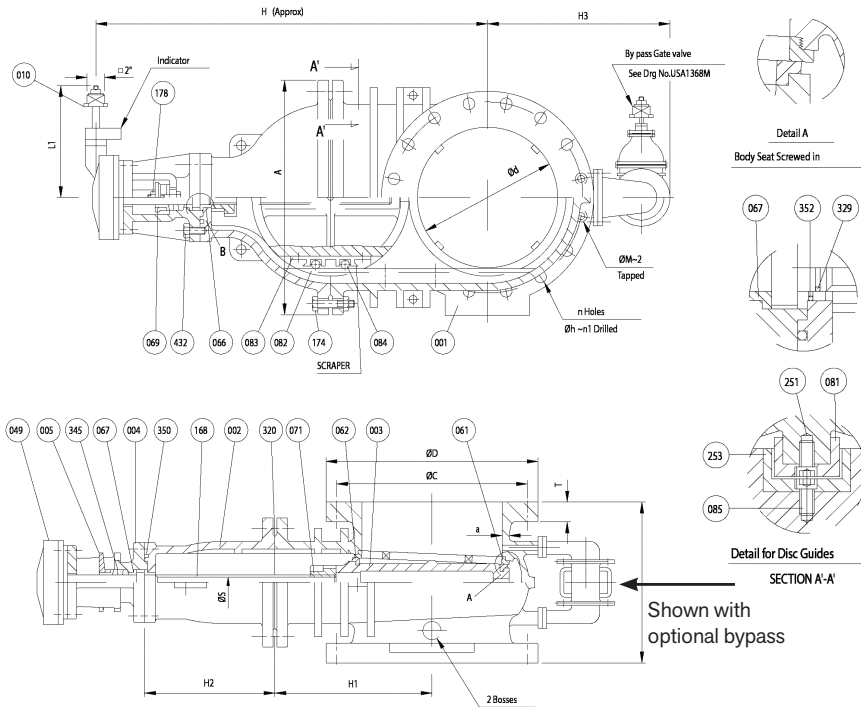


Reliable Connections

Mueller Co. International Division • 6125 Preservation Dr., Suite 200 • Chattanooga, TN 37416 USA  
 p +1.423.490.9555 • f +1.423.531.0033 • international@muellercompany.com • mueller-international.com

Form 13280 - Rev 10/16

# Metal Seat Solid Wedge Gate Valve



Material List				
No.	Parts	Materials	ASTM Design	Qty.
432	Packing Box Bolt	Stainless Steel	A 276 Type 304	1 set
352	O-Ring C	Rubber (Buna N)	D 2000 BK 707	1
350	O-Ring A	Rubber (Buna N)	D 2000 BK 707	1
345	Packing	Braided Packing Synthetic Yarn with PTFE		1 set
329	O-Ring	Rubber (Buna N)	D 2000 BK 707	1
320	Bonnet Gasket	Rubber (Buna N)	D 2000 BK 807	1
253	Disc Guide	Bronze	B62	1
251	Body Guide Bolt	Stainless Steel	A 276 Type 304	1 set
178	Gland Bolt & Nut	Stainless Steel	A 276 Type 304	2
174	Bonnet Bolt & Nut	Stainless Steel	A 276 Type 304	1 set
168	Stem	Stainless Steel	A 276 Type 316	1
085	Disc Guide Bolt	Stainless Steel	A 276 Type 304	1
084	Roller	Bronze	B62	2
083	Roller Box	Bronze	B62	1
082	Bonnet Guide	Bronze	B62	2
081	Body Guide	Bronze	B62	2
071	Stem Nut	Bronze	B62	1
069	Gland Bushing	Bronze	B62	1
067	Packing Box Bushing	Bronze	B62	1
066	Bonnet Bushing	Bronze	B62	1
062	Disc Seat Ring	Bronze	B62	2
061	Body Seat Ring	Bronze	B62	2
049	Gear Operator	See Table	-----	1 set
010	Operating Nut	Cast Iron	A 126 Class B	1
005	Gland	Ductile Iron	A 536 Gr.65-45-12	1
004	Packing Box	Ductile Iron	A 536 Gr.65-45-12	1
003	Disc	Ductile Iron	A 536 Gr.65-45-12	1
002	Bonnet	Ductile Iron	A 536 Gr.65-45-12	1
001	Body	Ductile Iron	A 536 Gr.65-45-12	1

## DIMENSIONS - INCHES (MM)''

Size Ød	L	ANSI B 16.1 Class 125					a (min)	A	ØS at base of thread	H	H1	H2	H3	L1	ØM	n1	Gear Ratio	Bypass Size
		ØD	ØC	Øh	n	T												
14 (DN350)	15(381)	21(533)	18 <sup>3</sup> / <sub>4</sub> (476)	1 <sup>1</sup> / <sub>8</sub> (29)	12(305)	1 <sup>3</sup> / <sub>8</sub> (35)	0.78(20)	22.76(578)	1.398(36)	38.58(980)	14.59(371)	12.68(322)	11.50(292)	11.18(284)	1x8TPI (UNC)	10(254)	2.5:1	2(51)
16 (DN400)	16(406)	23 <sup>1</sup> / <sub>2</sub> (597)	21 <sup>1</sup> / <sub>4</sub> (540)	1 <sup>1</sup> / <sub>8</sub> (29)	16(406)	1 <sup>7</sup> / <sub>16</sub> (37)	0.87(22)	26(660)	1.556(40)	44(1118)	16.64(423)	14.38(365)	25.79(655)	14.58(370)	1x8TPI (UNC)	14(356)	3:1	3(76)
18 (DN450)	17(432)	25(635)	22 <sup>3</sup> / <sub>4</sub> (578)	1 <sup>1</sup> / <sub>4</sub> (32)	16(406)	1 <sup>9</sup> / <sub>16</sub> (40)	0.95(24)	29.29(744)	1.556(40)	47.33(1202)	18.71(475)	15.59(396)	27.88(708)	14.58(370)	1 <sup>1</sup> / <sub>8</sub> x8TPI (UNC)	14(356)	3:1	3(76)
20 (DN500)	18(457)	27 <sup>1</sup> / <sub>2</sub> (699)	25(635)	1 <sup>1</sup> / <sub>4</sub> (32)	20(508)	1 <sup>11</sup> / <sub>16</sub> (43)	1.10(28)	32.52(826)	1.831(47)	51.38(1305)	20.79(528)	17.56(446)	27.88(708)	14.58(370)	1 <sup>1</sup> / <sub>8</sub> x7TPI (UNC)	18(457)	3:1	3(76)
24 (DN600)	20(508)	32(813)	29 <sup>1</sup> / <sub>2</sub> (749)	1 <sup>3</sup> / <sub>8</sub> (35)	20(508)	1 <sup>7</sup> / <sub>8</sub> (48)	1.18(30)	36.54(928)	2.028(52)	60.24(1530)	22.05(560)	24.73(628)	32.63(829)	17.32(440)	1 <sup>1</sup> / <sub>4</sub> x7TPI (UNC)	18(457)	4:1	4(102)



Copyright © 2016 Henry Pratt Company, LLC. All Rights Reserved.

The trademarks, logos and service marks displayed in this document herein are the property of Henry Pratt Company, LLC, its affiliates or other third parties. These products are intended for use in potable water applications. Please contact your Pratt Sales or Customer Service Representative concerning any other application(s).