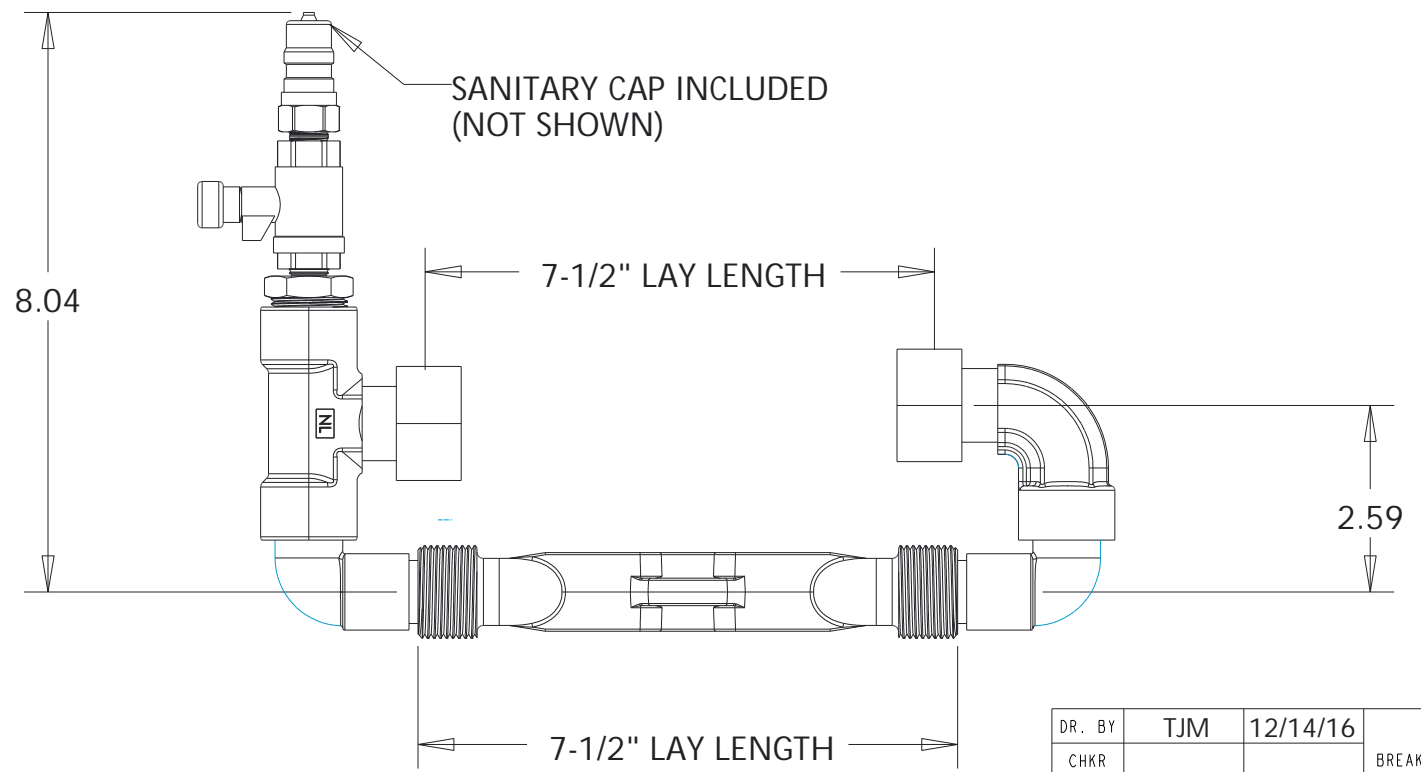
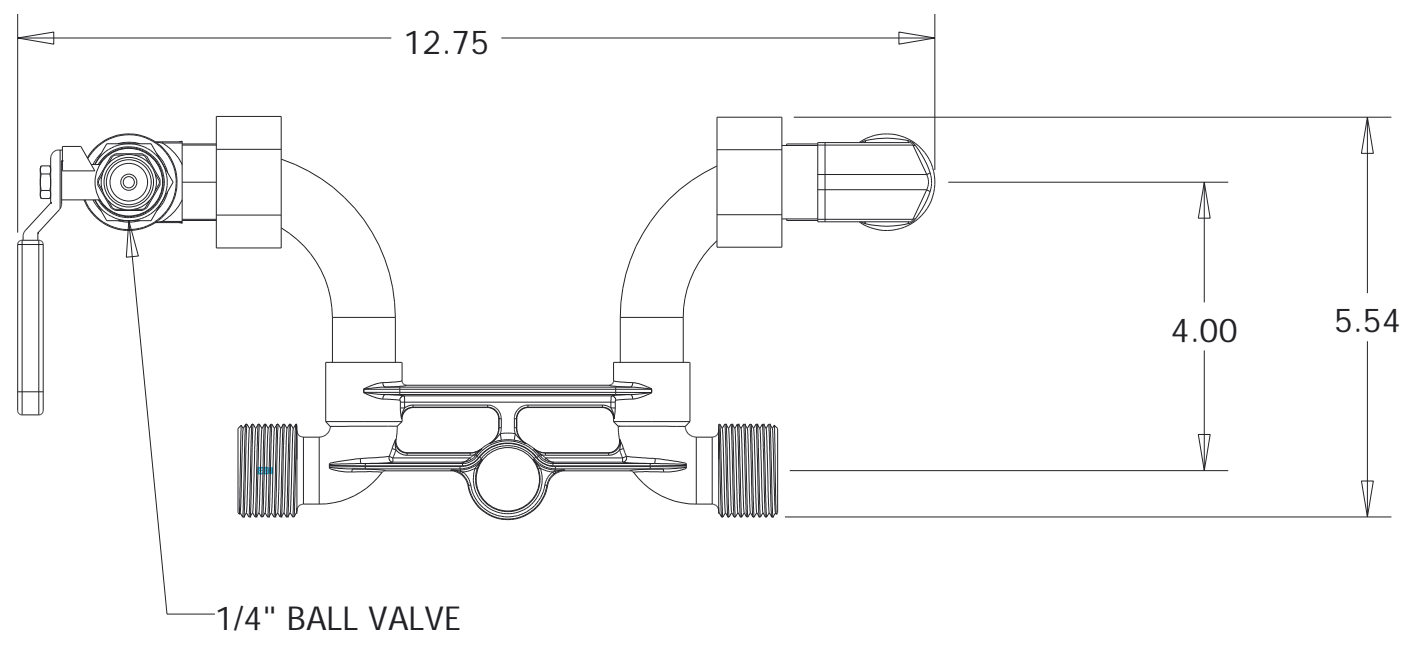


547800



203H1445---02N

NOT TO SCALE



DR. BY	TJM	12/14/16	UNLESS OTHERWISE NOTED	THIRD ANGLE PROJECTION		C. B. NO.
CHKR			BREAK CAST CORNER(S)---			
ENGR			BREAK MACH CORNER(S)---	PURCH.	FINISH	PATT. NO.
MGR			TOLERANCES	REF. NO.	SCALE	
MFG			UNLESS OTHERWISE NOTED			
TOOL			LINEAR			
FDRY			±			
MAT'L:				STK. NO.		



DESCR. IN GROUND SAMPLE STATION SYSTEM

NUMBER 203H1445---02N & 547800