

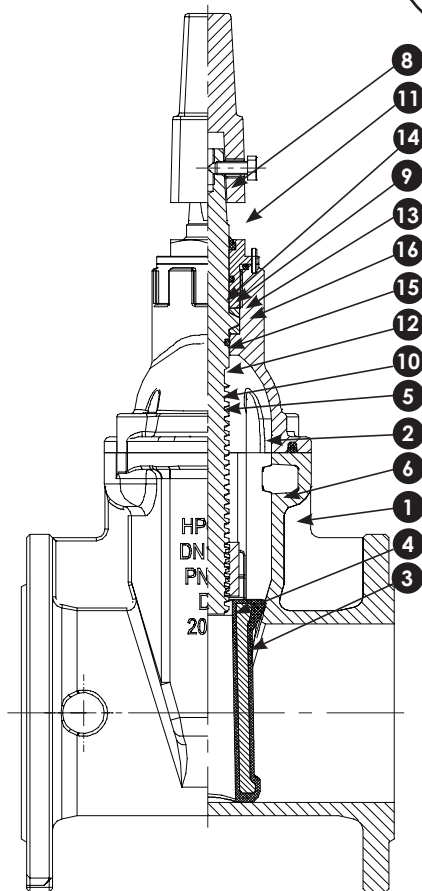
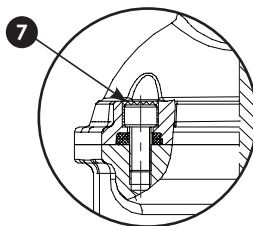
## EN588-1 Series 3 Resilient Wedge Gate Valve

PRATT®



## PRODUCT FEATURES

- Non-Rising Stem (NRS).
- Meets EN1074:2000 1 & 2 Type A standard.
- Operating Nut (optional Handwheel).
- DN50 – DN300.
- All Ductile Iron Body and Bonnet.
- Blue Fusion Bonded Epoxy Coating – 250 $\mu$  nominal DFT
- Antifriction Washer above and below Thrust Collar.
- Ductile Iron Wedge, symmetrical and fully encapsulated with molded rubber; no exposed iron.
- 10 year limited warranty.
- 16bar/PN16 working pressure.
- End Connection: PN16 Flange End Drilling (EN1092-2:1997); PN10 also available sizes DN200 - DN300.



## PARTS LIST

ID	Part Name	Qty.	Material	Standard
1	Body	1	EN-GJS-500-7 DI	EN1563:2011
2	Bonnet	1	EN-GJS-500-7 DI	EN1563:2011
3	Disc	1	EN-GJS-500-7 DI/EPDM	EN1563:2011
4	Stem Nut	1	CC331G AL BZ	EN1982:2008
5	Stem	1	1.4057 SS	EN10088-1:2005
6	Gasket	1	EPDM	WA, EN681-1:1996
7	Bonnet Bolt	4	304SS	GB/T 70.1-2008
8	Stem Cap	1	EN-GJS-500-7 DI	EN1563:2011
9	Gland Bushing	1	CW617N Brass	EN12164:2011
10	O-Ring	1	EPDM	WA, EN 681-1:1996
11	Cap Screw	1	304SS	GB/T 5783-2000
12	Thrust Collar	2	CW617N Brass	EN12164:2011
13	Groove Pin	1	316SS	-
14	Wiper Ring	1	EPDM	WA, EN681-1:1996
15	O-Ring	2	EPDM	-
16	O-Ring	1	EPDM	-

**Mueller Co.**

Reliable Connections®

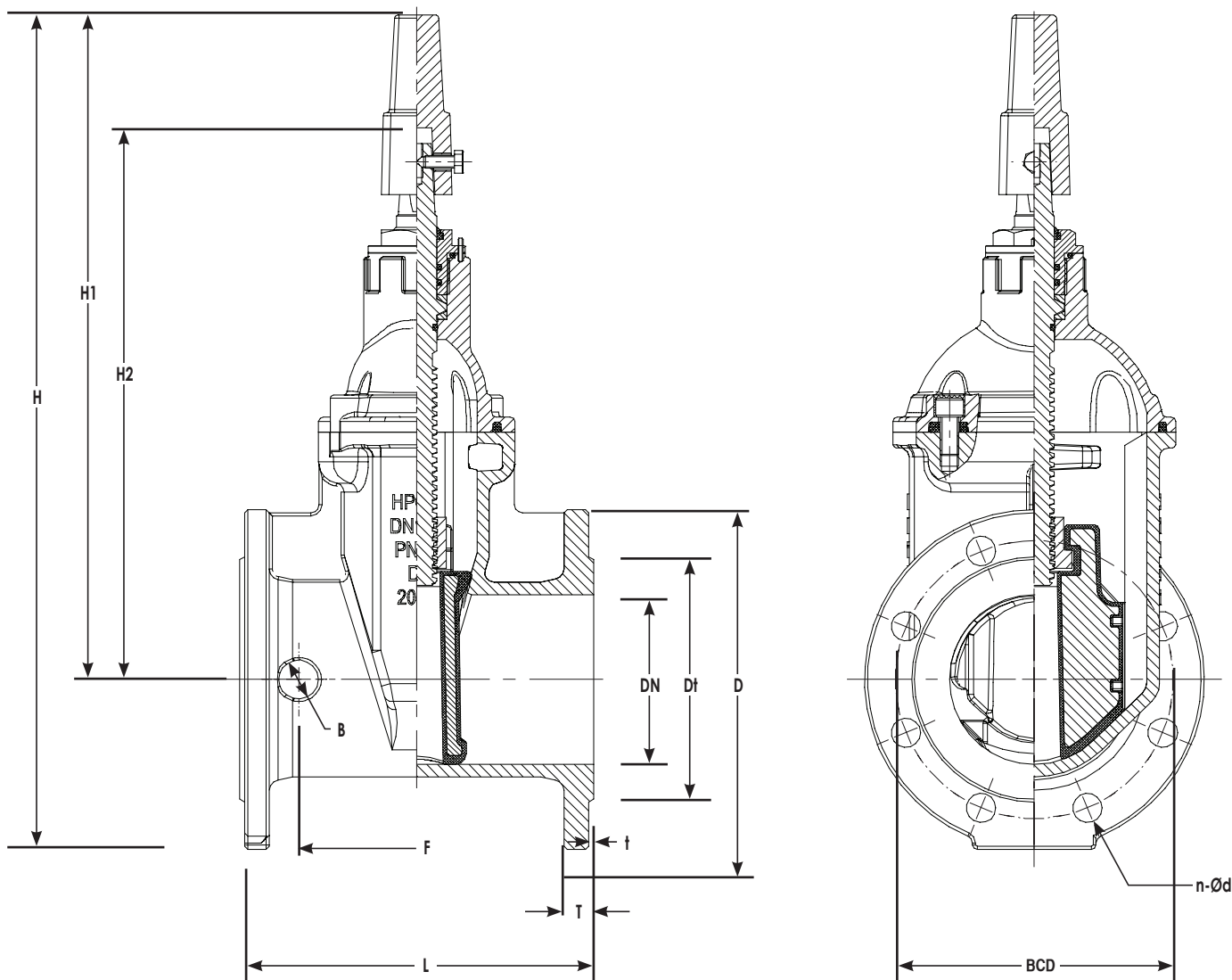
 Mueller Co. International Division • 6125 Preservation Dr., Suite 200 • Chattanooga, TN 37416 USA  
 p +1.423.490.9555 • f +1.423.531.0033 • international@muellercompany.com • [mueller-international.com](http://mueller-international.com)

Form 13281 – Rev 03/17

# EN588-1 Series 3 Resilient Wedge Gate Valve



## DIMENSIONS



## DIMENSIONS - MM

DN	PN	Weight - Kg	F	B	H2	H1	H	t	T	n-Ød	BCD	Dt	D	L	Turns to Close
50	PN16	13	102	25	263	346	429	3	19	4-Ø19	125	99	165	178	7
65	PN16	16	98	38	293	376	469	3	19	4-Ø19	145	118	185	190	9
80	PN16	19	111	38	323	406	506	3	19	4-Ø19	160	132	200	203	12
100	PN16	23	153	25	347	430	540	3	19	8-Ø19	180	155	220	229	14
125	PN16	34	167	38	421	494	619	3	19	8-Ø20	210	183	250	254	15
150	PN16	41	167	38	440	525	667	3	19	8-Ø23	240	211	285	267	17
200	PN10	64	192	45	520	605	775	3	20	8-Ø23	295	264	340	292	18
200	PN16	64	192	45	520	605	775	3	20	12-Ø23	295	264	340	292	18
250	PN10	109	213	54	616	712	914	3	22	12-Ø23	350	314	405	330	22
250	PN16	109	213	54	616	712	914	3	22	12-Ø28	355	319	405	330	22
300	PN10	164	192	45	520	605	775	4	20	12-Ø23	400	362	460	356	25
300	PN16	164	239	54	707	803	1031	4	25	12-Ø28	410	367	460	356	25

Standard Clockwise-Close (Open-Left). Anticlockwise-Close available to special order.



Copyright © 2017 Henry Pratt Company, LLC. All Rights Reserved.  
 The trademarks, logos and service marks displayed in this document herein are the property of Henry Pratt Company, LLC, its affiliates or other third parties. These products are intended for use in potable water applications. Please contact your Pratt Sales or Customer Service Representative concerning any other application(s).