

# R-USP1+ Resilient Wedge Gate Valve

OS&Y – PLUS: 2” – 12”/DN50 – DN300



VALVE & HYDRANT

Image shown  
2”–6”/DN50 – DN150  
bonnet/yoke combo.  
8”–12”/DN200 – DN300  
bonnet and yoke are  
two pieces. Contact  
Mueller Co. for  
option details.

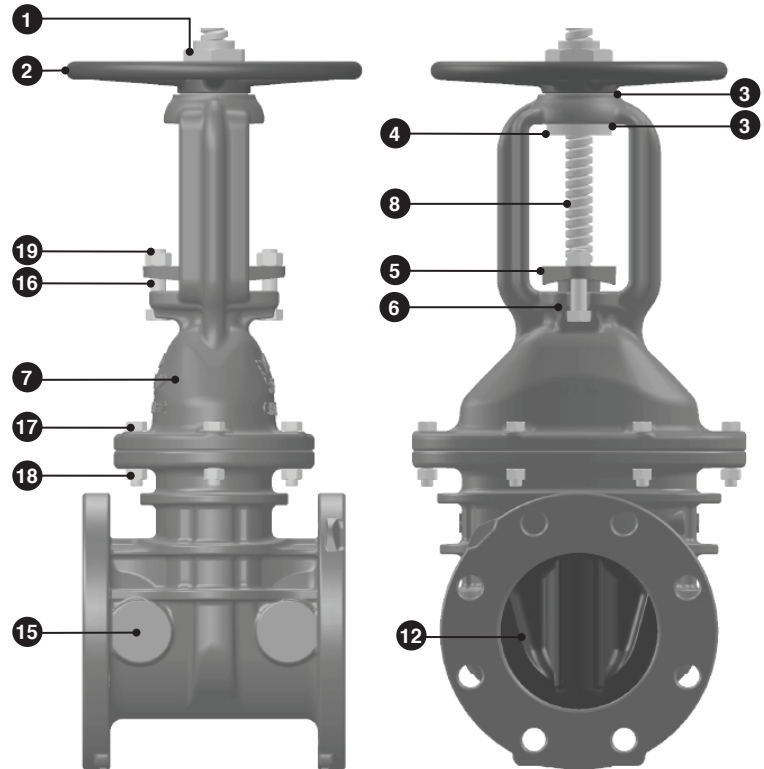


## PRODUCT FEATURES

- Outside Screw & Yoke (OS&Y), Standard-PLUS (+) Gate Valve.
- Iron Body, Bonnet, and Yoke.
- Mueller Pro-Gard® 2-Pass Fusion Bonded Epoxy Coating covers all cast surfaces inside and out – 10 mils (250µm) minimum. Meets requirements of AWWA/ANSI C550.
- Meets requirements of AWWA/ANSI C515 and is certified to ANSI/NSF 61 & 372.
- Iron wedge, symmetrical and fully encapsulated with molded rubber; no exposed iron.
- Polymer cap bearings on wedge guides.
- Everdur Bronze Stem.
- 316 Bolts, Nuts and Washers.
- 10-year limited warranty.
- 2”– 3”/DN50 – DN80: 250psig/17barg WP, 500psig/34barg UL/FM TP; 4” – 12”/DN100 – DN300: 350psig/24barg AWWA/UL/FM WP, 700psig/48barg TP.
- UL listed, FM approved.
- Meets AWWA C515 requirements.
- Flange End drilling meets: ANSI B16.1, Class 125 and ANSI B16.42, Class 150 Flat Face. Optional PN10, PN16 drilling.
- Fitted with End Covers as standard.

## PARTS LIST (Typ.)

ID	PART NAME	MATERIAL
1	Cap Nut	Bronze ASTM B62/B584
2	Handwheel	Ductile Iron ASTM A536
3	Thrust Washer	Brass
4	Bush Nut	Bronze ASTM B62
5	Gland Flange	Ductile Iron ASTM A536
6	Stem Packing**	Lube Flax
7	Bonnet Yoke	Ductile Iron ASTM A536
8	Stem	Silicon Bronze ASTM B98 (C66100)
9	O-Ring	Nitrile ASTM D2000
10	Wedge Nut	Bronze ASTM B584
11	Pin. Type E	Silicon Bronze
12	Wedge	See Note 1
13	Guide Cap	Acetal
14	Bonnet Gasket	Nitrile ASTM D2000
15	Body	Ductile Iron ASTM A536
16	Gland Bolt	316 Stainless Steel ASTM F593
17	Bonnet Bolt	316 Stainless Steel ASTM F593
18	Bonnet Nut	316 Stainless Steel ASTM F594
19	Gland Nut	Silicon Bronze ASTM B98



**NOTES:**  
1. 2” – 3”/DN50 – DN80 Rubber Encapsulated Grey Iron Wedge Rubber – EPDM ASTM D2000. Manufacturer’s option to upgrade to Ductile Iron ASTM A536. 4” – 12”/DN100 – DN300 Rubber Encapsulated Ductile Iron Wedge Rubber – EPDM ASTM D2000.

## \*\*STEM PACKING INFORMATION

Valve Size	2”/DN50, 2½”/DN65, 3”/DN80	4”/DN100	6”/DN150	8”/DN200	10”/DN250	12”/DN300
Part No. / Quantity	175972 / 4	176477 / 4	170712 / 4	175937 / 4	175975 / 4	170749 / 3
Size – inches (mm)	¼ (6) x 3⅝ (92)	¼ (6) x 4¼ (108)	⅝ (8) x 4¾ (121)	⅝ (8) x 5⅛ (130)	⅝ (8) x 5½ (133)	¾ (10) x 6⅜ (161)

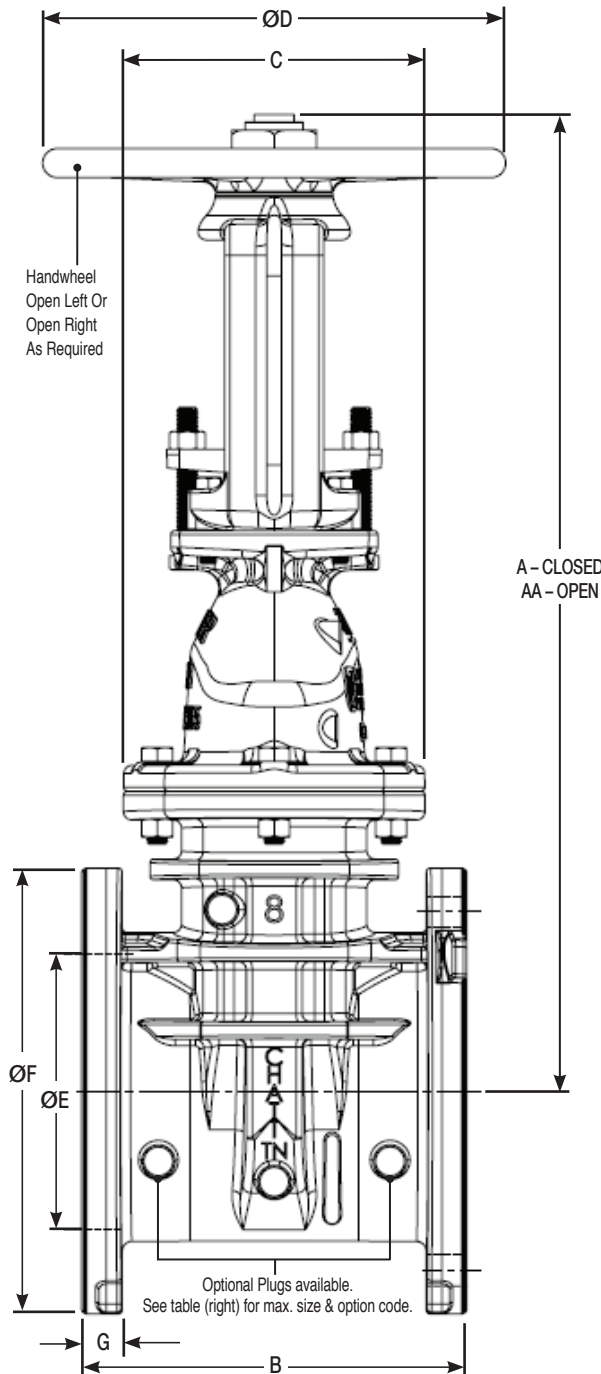


# R-USP1+ Resilient Wedge Gate Valve

OS&Y – PLUS: 2" – 12"/DN50 – DN300



**VALVE &  
HYDRANT**



## DIMENSIONS – Inches (mm)

Valve Size	A-Closed	AA-Open	B	C*
2"/DN50	14.09 (357)	16.69 (424)	7.00 (178)	7.02 (178)
2½"/DN65	15.91 (404)	19.56 (497)	7.50 (191)	8.63 (219)
3"/DN80	15.66 (398)	19.31 (490)	8.00 (203)	8.63 (219)
4"/DN100	19.00 (483)	23.68 (601)	9.00 (229)	10.79 (274)
6"/DN150	24.50 (622)	31.38 (797)	10.50 (267)	13.50 (343)
8"/DN200	29.50 (749)	38.50 (978)	11.50 (292)	16.36 (416)
10"/DN250	35.75 (908)	47.00 (1194)	13.00 (330)	19.99 (508)
12"/DN300	40.50 (1028)	53.50 (1359)	14.00 (356)	21.00 (533)

Valve Size	ØD	ØE Thru Ø	ØF	G
2"/DN50	7.00 (178)	2.30 (58)	6.00 (152)	0.68 (17)
2½"/DN65	7.00 (178)	2.80 (71)	7.00 (178)	0.75 (19)
3"/DN80	7.00 (178)	3.30 (84)	7.50 (191)	0.80 (20)
4"/DN100	10.00 (254)	4.31 (109)	9.00 (229)	1.03 (26)
6"/DN150	12.00 (305)	6.30 (160)	11.00 (279)	1.07 (27)
8"/DN200	14.00 (356)	8.30 (211)	13.50 (343)	1.19 (30)
10"/DN250	16.00 (406)	10.30 (262)	16.00 (406)	1.29 (33)
12"/DN300	16.00 (406)	12.30 (312)	19.00 (483)	1.35 (34)

\*C dimension is the overall width of the bonnet flange.

## OPTIONAL PLUGS

Valve Size	R2361 Max. Tap Size
2"/DN50	¾" (19)
2½"/DN65	½" (13)
3"/DN80	½" (13)
4"/DN100	¾" (19)
6"/DN150	1" (25)
8"/DN200	1¼" (32)
10"/DN250	1¼" (32)
12"/DN300	2" (50)

Option No.	Tap Size
0008	½" (13)
0209	¾" (19)
0062	1" (25)
0355	¾" (19)
0070	1¼" (32)
0366	1½" (38)

## WEIGHT – lb. (kg)

Valve Size	2"/DN50	2½"/DN65	3"/DN80	4"/DN100	6"/DN150	8"/DN200	10"/DN250	12"/DN300
Weight	41 (19)	64 (29)	65 (29)	96 (44)	150 (68)	230 (104)	348 (158)	477 (216)