

Swing Check Valve – PLUS

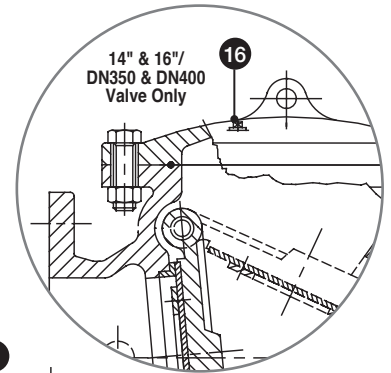
2" – 16"/DN50 – DN400 FOR SEAWATER SERVICE




8"/DN200 shown

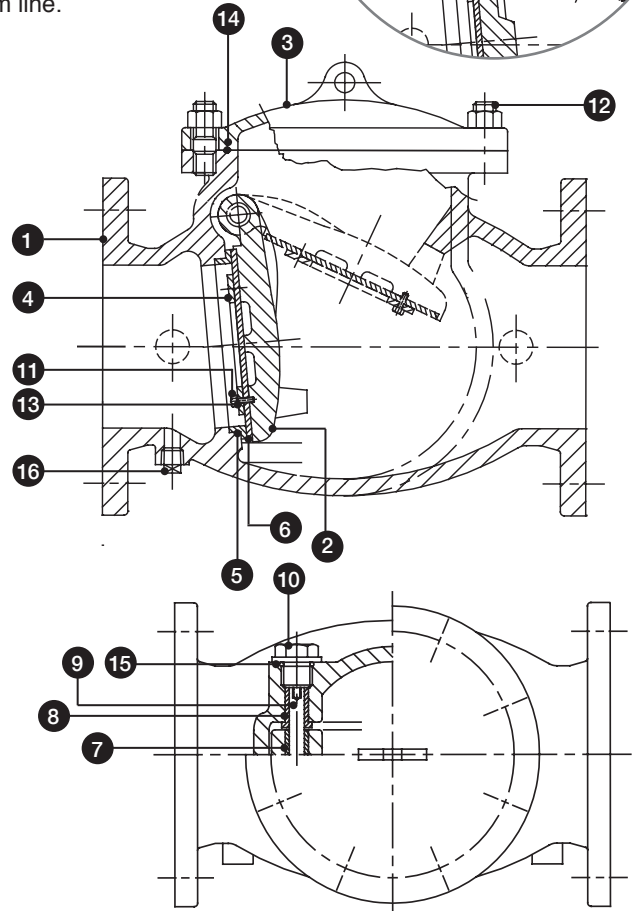
PRODUCT FEATURES

- Gravity operated.
- UL listed and FM approved.
- 2" – 12"/DN50 – DN300:
350 psig / 24 barg C.W.P.,
14" & 16"/DN350 & DN400:
250 psig / 17 barg C.W.P.
- Designs available:
A2122-B13: 2" – 12"/DN50 – DN300;
A2122-B1: 14" & 16"/DN350 & DN400,
Rubber Disc Facing and Bronze Seat
Ring.
- Ductile Iron Valve Body.
- Fusion Bonded Epoxy Coating for
Seawater resistance.
- Ductile Iron Cover has lifting lug.
- Operating parts of Bronze and
Stainless Steel.
- Internal parts serviceable without
removing valve from line.
- Tapping bosses both sides of body for
connecting by-pass.
- Drain plug under inlet end for
connecting drain valve.
- Flange End drilling meets: ANSI B16.1,
Class 125 and ANSI B16.42, Class
150 Flat Face. Optional PN10, PN16
drilling.



PARTS LIST

ID	PART NAME	MATERIAL / ASTM
1	Body	Ductile Iron / A536 Gr. 65-45-12
2	Disc	Ductile Iron / A536 Gr. 65-45-12
3	Cover	Ductile Iron / A536 Gr. 65-45-12
4	Seat Holder	Ductile Iron / A536 Gr. 65-45-12
5	Body Seat Ring	Bronze / B62
6	Disc Seat Ring	Rubber Buna-N or EPDM / D2000
7	Disc Bushing	Bronze / B62
8	Body Bushing	Bronze / B62
9	Hinge Pin	316 Stainless Steel / A276
10	Plug (A)	316 Stainless Steel / A276
11	Disc Seat Bolt	316 Stainless Steel / A276
12	Cover Stud & Nut	316 Stainless Steel / A276
13	Spring Washer	316 Stainless Steel / A276
14	Cover Gasket	Rubber Buna-N or EPDM / D2000
15	O-Ring	Rubber Buna-N or EPDM / D2000
16	Plug (B)	316 Stainless Steel ASTM A276



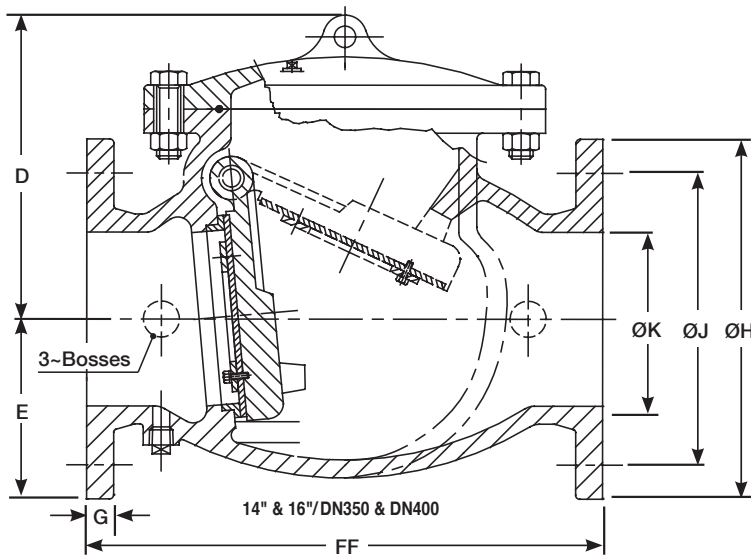
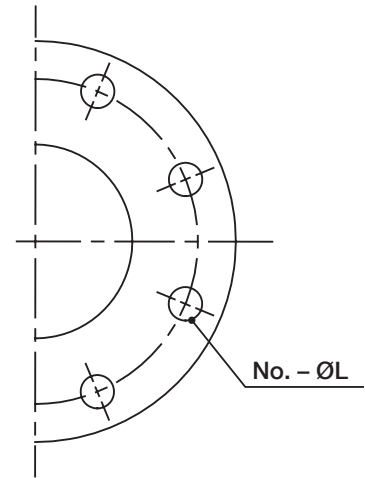
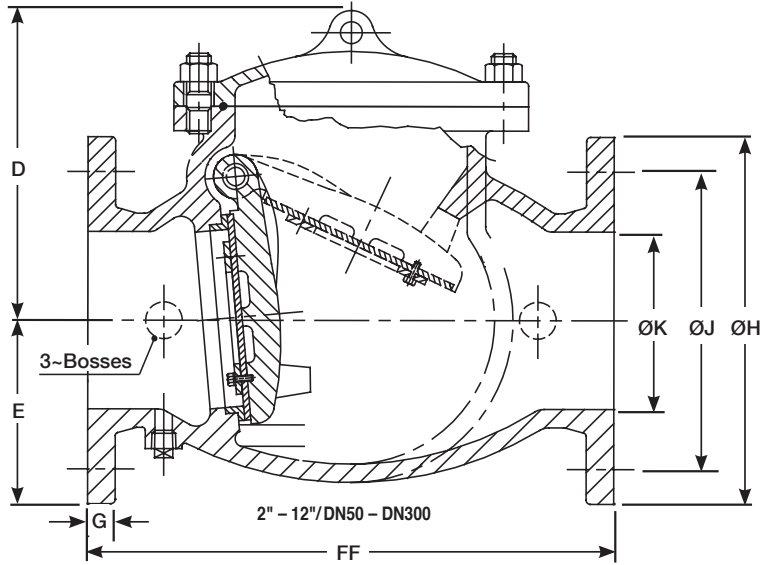

Reliable Connections

Mueller Co. International Division • 1200 Abernathy Road, NE, Suite 1200 • Atlanta, Georgia 30328 USA
p +1.423.490.9555 • f +1.423.531.0033 • international@muellercompany.com • mueller-international.com

Form 13990 – Rev 06/18

Swing Check Valve – PLUS

2" – 16"/DN50 – DN400 FOR SEAWATER SERVICE



DIMENSIONS – inches (mm)

Valve Size	D	E	FF	G	ØH	ØJ	ØK	No. - ØL	WT. - lb. (kg)
2"/ DN50	5 ¹⁵ / ₁₆ (150)	3 (76)	8* (203)	⁵ / ₈ (15)	6 (152)	4 ³ / ₄ (120)	2 (50)	4 - ³ / ₄ (19)	28 (12.7)
2 1/2"/ DN65	6 ⁵ / ₁₆ (160)	3 1/2 (89)	8 1/2* (216)	¹¹ / ₁₆ (17)	7 (177)	5 1/2 (139)	2 1/2 (65)	4 - ³ / ₄ (19)	39 (17.7)
3"/ DN80	7 ³ / ₈ (187)	3 3/4 (95)	9 1/2* (242)	³ / ₄ (19)	7 1/2 (190)	6 (152)	3 (80)	4 - ³ / ₄ (19)	50 (22.7)
4"/ DN100	8 ¹ / ₁₆ (203)	4 1/2 (114)	11 1/2* (292)	¹⁵ / ₁₆ (23)	9 (228)	7 1/2 (190)	4 (100)	8 - ³ / ₄ (19)	75 (34.0)
6"/ DN150	10 ⁵ / ₈ (269)	5 1/2 (139)	14* (355)	1 (25)	11 (279)	9 1/2 (241)	6 (150)	8 - ⁷ / ₈ (22)	191 (86.6)
8"/ DN200	12 ³ / ₈ (314)	6 3/4 (171)	19 1/2* (495)	1 1/8 (28)	13 1/2 (342)	11 3/4 (298)	8 (200)	8 - ⁷ / ₈ (22)	272 (123.4)
10"/ DN250	14 ¹¹ / ₁₆ (373)	8 (203)	24 1/2* (622)	¹ / ₁₆ (30)	16 (406)	14 1/4 (361)	10 (250)	12 - 1 (25)	436 (197.8)
12"/ DN300	17 ⁷ / ₁₆ (442)	9 1/2 (241)	27 1/2** (701)	1 1/4 (31)	19 (482)	17 (431)	12 (300)	12 - 1 (25)	656 (297.6)
14"/ DN350	20 ¹⁵ / ₁₆ (531)	10 1/2 (266)	31** (790)	1 3/8 (34)	21 (533)	18 3/4 (476)	14 (350)	12 - 1 1/8 (28)	962 (436.4)
16"/ DN400	23 1/4 (590)	11 3/4 (298)	36** (917)	1 7/16 (36)	23 1/2 (596)	21 1/4 (539)	16 (400)	16 - 1 1/8 (28)	1294 (586.9)

* ± 1/16 (1.5 mm) ** ± 1/8 (3 mm)

NOTE: No. - ØL column is for the ANSI flange only.



Reliable Connections

Copyright © 2017 Mueller Co., LLC. All Rights Reserved. The trademarks, logos and service marks displayed in this document herein are the property of Mueller Co., LLC, its affiliates or other third parties. Products marked with a section symbol (§) are subject to patents or patent applications. For details, visit www.muellerco.com. These products are intended for use in potable water applications. Please contact your Mueller Sales or Customer Service Representative concerning any other application(s).