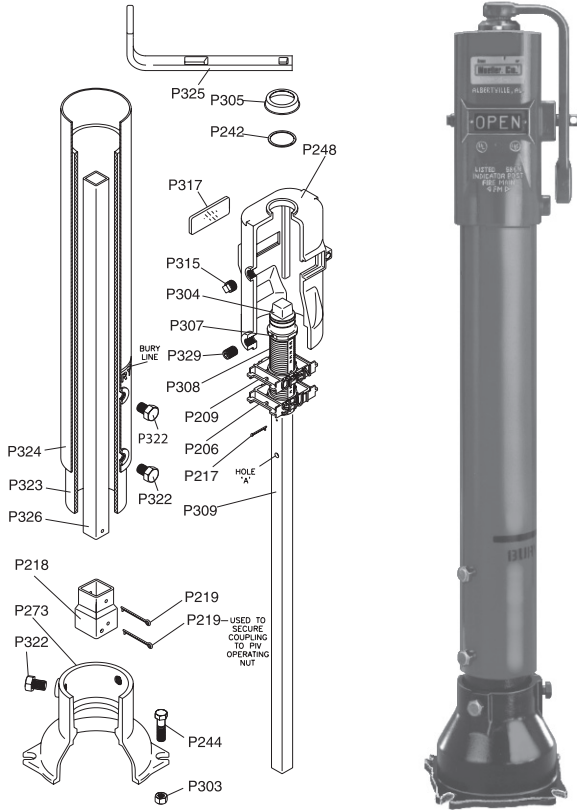
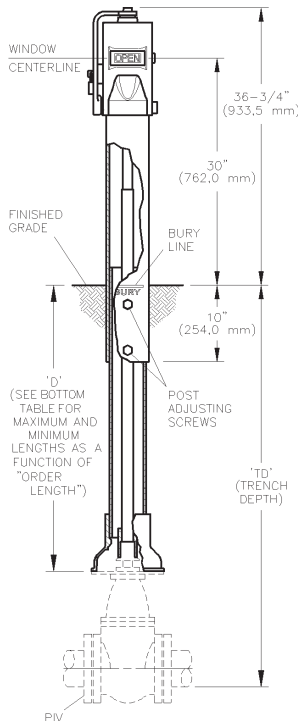


C-20807

*NOTE: C-20807 is not FM listed.



Catalog Part No.	Description	Material	Material Standard
P206	SHUT Target	Plastic	Nylon
P209	OPEN Target	Plastic	Nylon
P217	Cotter Pin (short)	Brass	ASTM B21
P218	Coupling	Cast Iron	ASTM A126 Class B
P219	Cotter Pin (long)	Brass	ASTM B21
P242	Retaining ring	Stainless Steel	AISI 302
P244	Hex Bolt	Stainless Steel	AISI 304
P248	Post Head	Ductile Iron	ASTM A536 GR.65-45-12
P273	Bell	Cast Iron	ASTM A126 CL.B
P303	Hex Nut	Stainless Steel	AISI 304
P304	Operating Nut	Ductile Iron	ASTM A536 GR.65-45-12
P305	Cap	Plastic	Polypropylene
P307	Spring pin	Stainless Steel	AISI 420
P308	Threaded sleeve	Aluminum	Alloy 319
P309	Upper stem	Steel	ASTM A513
P315	Pipe plug - hex socket	Steel	
P317	Window	Plexiglass	
P322	Hex head screw	Steel/zinc plated	ASTM A307 GR.A
P323	Lower Barrel	Ductile Iron	ASTM A746 Class 51
P324	Upper Barrel	Steel	ASTM A53 GR.B
P325	Wrench	Steel	ASTM A35 HRS
P326	Lower Stem	Steel	ASTM A500 GR.B
P329	Socket head set screw	Steel	ANSI B18.3



NOMINAL TRENCH DEPTHS FOR MUELLER RESILIENT WEDGE POST INDICATOR VALVES

Valve Size	"ORDER LENGTH" A		"ORDER LENGTH" B		"ORDER LENGTH" C		"ORDER LENGTH" D		"ORDER LENGTH" E	
	Min.	Max.	Min.	Max.	Min.	Max.	Min.	Max.	Min.	Max.
16"	5' - 3"	7' - 1"	6' - 10"	8' - 10"	8' - 7"	10' - 7"	10' - 2"	15' - 9"	12' - 1"	13' - 10"
18"	5' - 10"	7' - 8"	7' - 5"	9' - 5"	9' - 2"	11' - 2"	10' - 11"	16' - 11"	12' - 8"	14' - 5"
20"	6' - 3"	8' - 1"	7' - 9"	9' - 10"	9' - 6"	11' - 7"	11' - 3"	17' - 8"	13' - 0"	14' - 10"
24"	6' - 11"	8' - 9"	8' - 6"	10' - 6"	10' - 3"	12' - 3"	12' - 0"	19' - 2"	13' - 9"	15' - 6"

Valve Size	"ORDER LENGTH" F		"ORDER LENGTH" G		"ORDER LENGTH" H		"ORDER LENGTH" I	
	Min.	Max.	Min.	Max.	Min.	Max.	Min.	Max.
16"	13' - 10"	15' - 10"	16' - 0"	18' - 0"	17' - 8"	19' - 8"	19' - 4"	21' - 4"
18"	14' - 5"	16' - 5"	16' - 7"	18' - 7"	18' - 3"	20' - 3"	19' - 11"	21' - 11"
20"	14' - 9"	16' - 10"	16' - 11"	19' - 0"	18' - 7"	20' - 8"	20' - 3"	22' - 4"
24"	15' - 6"	17' - 6"	17' - 8"	19' - 8"	19' - 4"	21' - 4"	21' - 0"	23' - 0"

D DIMENSION ADJUSTMENT RANGE

	"ORDER LENGTH"								
	A	B	C	D	E	F	G	H	I
MIN	22.25"	41.00"	62.00"	83.00"	104.00"	125.00"	151.00"	171.00"	191.00"
MAX	44.25"	65.25"	86.25"	107.25"	125.25"	149.25"	175.25"	195.25"	215.25"