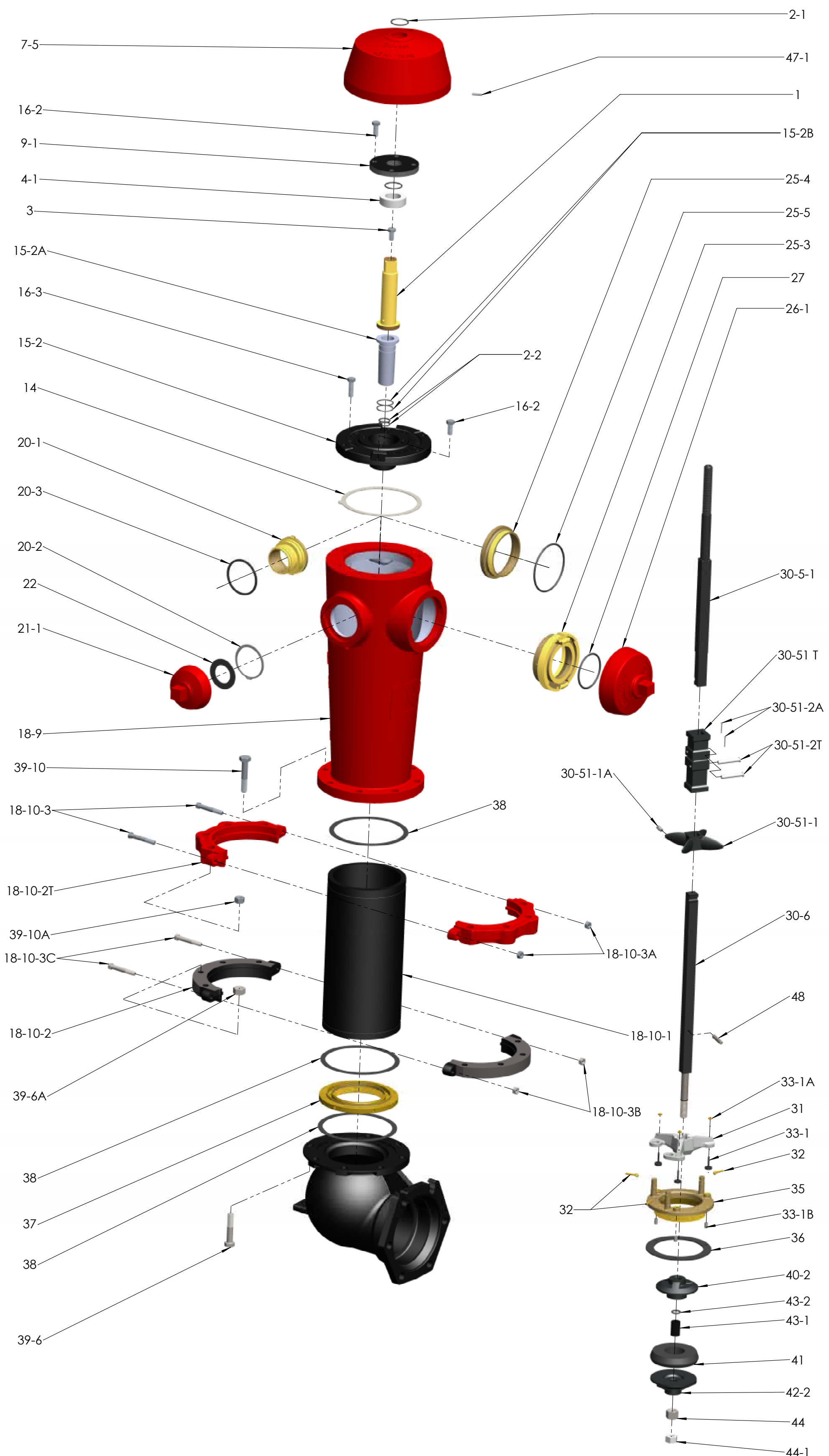
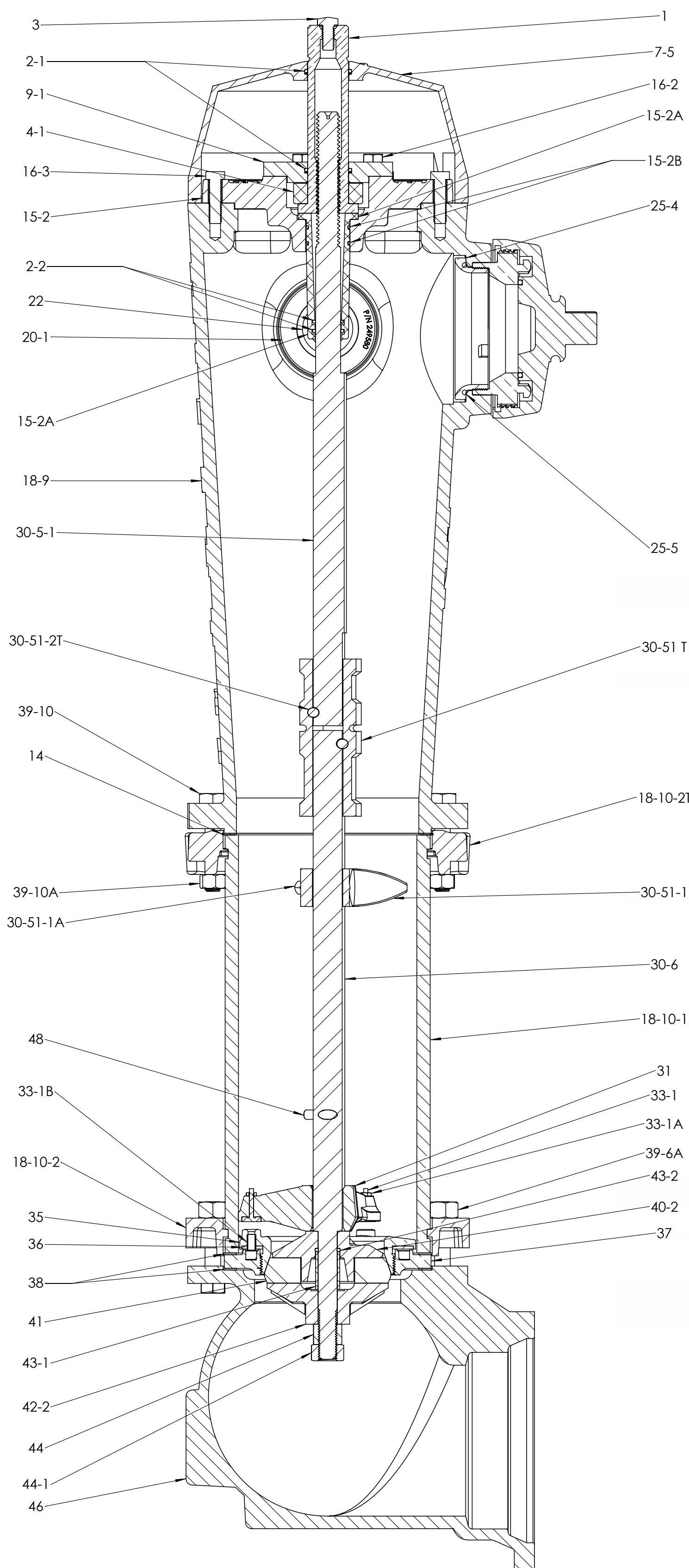


# CENTURY FIRE HYDRANT PARTS

## with E/M (Easy Maintenance) Operating System



Catalog Number	Part Number	Quantity Per	Description
1	****	1	Operating nut (open left or right)
2-1	2000001615	1	Bonnet & housing cover O-ring
2-2	194572	2	Stem seal O-ring (#214)
3	234427	1	Lubricating screw
4-1	364378	1	Thrust bearing
7-5	205	1	CV hydrant bonnet
9-1	132	1	Bearing housing cover
14	604	1	Bearing housing gasket
15-2	372586	1	Bearing housing
15-2a	372816	1	E/M bearing housing sleeve
15-2b	373130	2	Bearing housing O-ring (#129)
16-2	45314	6	Bearing housing cap screw (short)
16-3	45330	4	Bearing housing cap screw (long)
18-9	249556	1	Upper barrel - 2 hose
	240383	1	Upper barrel - 2 hose and pumper
18-10-1	****	1	C.V. lower barrel
18-10-2	281301P	1	CV ductile iron hydrant barrel flange
18-10-2T	306371	1	CV split traffic flange
18-10-3	204072	2	Flange side bolt ground line
18-10-3a	45934	2	Flange side nut ground line
18-10-3b	281832	2	304SS flange side nut, below ground
18-10-3c	281824	2	304SS flange side bolt, below ground

Catalog Number	Part Number	Quantity Per	Description
20-1	****	2	Hose nozzle
20-2	258784	2	Hose nozzle retaining ring
20-3	258792	2	Hose nozzle gasket
21-1	****	2	Hose nozzle cap
22	1805	2	Hose nozzle cap gasket
25-3	****	1	Pumper nozzle
25-4	303364	1	Pumper nozzle retainer
25-5	195956	1	Pumper nozzle O-ring (#352)
26-1	****	1	Pumper cap
27	****	1	Pumper cap O-ring or gasket
30-5-1	265543	1	Upper rod - open left
	265551	1	Upper rod - open right
30-6	****	1	Lower rod
30-51T	282383	1	CV fire hydrant breakable rod coupling
30-51-1	218219D	**	CV rod guide
30-51-1a	47155	**	Rod guide set screw
30-51-2T	305456	2	Coupling clevis pin
30-51-2a	195235	2	Coupling cotter pin
31	558	1	Drip lever
32	47414	3	Drip lever cotter pin
33-1	574	3	Drip lever washer
33-1a	247774	3	Drip washer retainer/hex nut
33-1b	345	3	Hydrant seat drain tube

Catalog Number	Part Number	Quantity Per	Description
35	213	1	CV Ø4.5" hydrant seat
36	280	1	CV hydrant seat gasket 4.5"
37	388	1	CV Ø4.5" drain ring
38	000612	3	Barrel and base gasket
39-6	234451-1	8	304SS base flange bolt
39-6a	195048	8	304SS base flange nut
39-10	321826	8	Grade 2 ground flange bolt
39-10a	190939	8	Grade 2 ground flange nut
40-2	450	1	Valve ball top
41	515	1	CV hydrant valve
42-2	485	1	Valve ball bottom, Ø4-1/2 CV hydrant
43-1	294403	1	CV hydrant valve ball top plastic sleeve
43-2	41301	1	Valve sleeve O-ring (#210)
44	142955	1	304SS 3/4-10 hex nut
44-1	376821	1	316SS 3/4-10 hex lock nut
46	****	1	Base (flanged, MJ, or slip on)
47-1	218243	2	Cover restraining knurl pin
48	2000001814	1	Stop pin, type E groove, 3/8x2

Parts numbers marked with \*\*\*\* are to be specified by the customer.  
\*30-5-1 quantity varies with trench depth

**Mueller Canada**

Copyright © 2015 Mueller Canada. All Rights Reserved.  
The trademarks, logos and service marks displayed in this document herein are the property of Mueller Canada, its affiliates or other third parties. These products are intended for use in potable water applications. Please contact your Mueller Canada Sales or Customer Service Representative concerning any other application(s).

Form MC032 - Rev 1/15