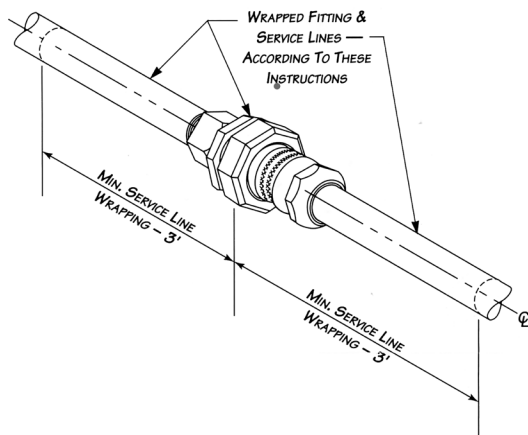


Installation Instructions



CAUTION: Read and follow these instructions to install the Mueller® Insulated Straight Service Fitting. Failure to do so may result in damage to the fitting and/or piping system, and may prevent the insulator from functioning as intended.

WARNING: The potential for electrical shock may be present when working on existing water main and service piping. Before starting any work on such piping, determine and follow the local water authority's procedures as they apply to detecting electrical currents in the water piping, and the steps to be taken to protect personnel from any potential electrical shock hazard. At a minimum, such procedures should include the use of grounding straps (bonding) to bridge the area of service piping where this product is to be installed, and the use of appropriate safety equipment and/or apparel to insulate personnel against any potential electrical shock hazard. Failure to do so could result in serious injury or death.

1. Encasement of service lines and fittings with polyethylene should be as outlined in AWWA C105/A21.5, "American National Standard for Polyethylene Encasement for Ductile Iron Pipe Systems."
2. After connecting the service line to the insulated straight service fitting, wrap the service line and fitting with a flexible dielectric tape such as Polyken #932 Hi-Tack joint wrap tape or equivalent for a minimum clear distance of 3 feet (0.9 meters) in either direction from the fitting. Follow the Polyken instructions for Polyken #932 tape, or ANSI/AWWA C214 as a minimum if other tape materials are used. This helps prevent stray electrical currents from traveling through the soil around the insulated fitting.
3. When backfilling polyethylene-encased service lines and fittings, use the same backfill material as that specified for service lines without polyethylene wrap. Be careful not to damage the polyethylene during backfilling. Backfill should be free from cinders, rocks, refuse or other materials that could damage polyethylene. Backfilling should be accomplished in accordance with the latest revision of ANSI/AWWA C600.

Phone: (800) 423-1323

By deviating from the above listed instructions, you will void any product warranty and release Mueller Co. and its affiliated entities from any and all liability associated with the installation or use of this product. For details on the product's warranty, terms, and conditions, please visit www.muellercompany.com.

© 2016 Mueller Co., LLC. All rights reserved.

Form 11807 05/16