

FIRE PROTECTION PRODUCTS

- Cover Bolts and Nuts are electrogalvanized steel to resist corrosion.
- All internal parts can be removed for inspection or repair without removing valve from line.
- Cast Iron Body is accurately cast and machined to provide long and trouble free service.
- Cast Iron Cover has a lifting lug.
- MUELLER CO. also offers a full line of AWWA Type Check Valves. See MUELLER Water Works Catalog for further information.
- Operating parts made of bronze and stainless steel to reduce corrosion.
- Accurately machined Bronze Seat Ring.
- Disc available with either rubber cap or Bronze seat.
- Bronze mounted cast iron Clapper Arm provides long and trouble free services.



The MUELLER® UL listed and F/M approved Check Valves are of the gravity operated, swing check design. These Check Valves are rugged in construction and simple in design.

The MUELLER Check Valves are designed to permit the removal of all parts through the top of the valve for inspection or replacement without removing the valve from the line.

MUELLER Check Valves are bossed on both sides of the body for connecting by-passes and have a drain plug at the bottom under the inlet end for attaching a drain valve.

These Check Valves are available with either rubber or bronze disc facings.

Shaded area indicates change

SWING CHECK VALVES



UL / FM

FIRE PROTECTION PRODUCTS

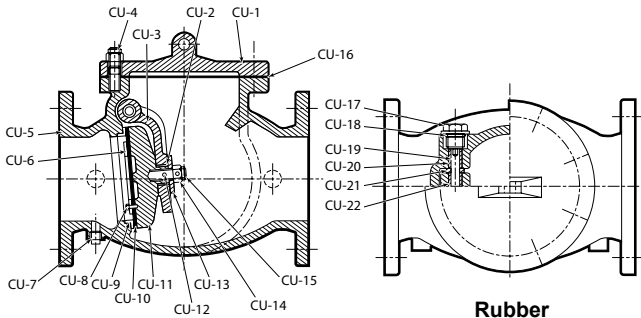


A-2120-6BB Flange Ends - Bronze Disc Ring and Bronze Seat Ring
A-2122-6B1 Flange Ends - Rubber Disc Facing and Bronze Seat Ring 2-1/2" - 12" 200 psi (1375 kPa/13 barg) Working Pressure - 400 psi (2750 kPa/27 barg) Test Pressure

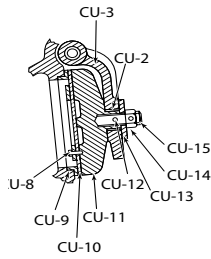
- Listed by Underwriter Laboratories, Inc. and approved by Factory Mutual Research Corporation.
- ANSI B16.1 CL125 Flanges

PARTS LIST

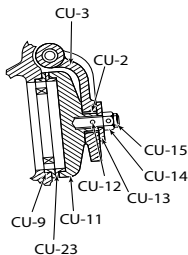
Catalog Parts Numbers	Description	Material	Material Standard
CU-1	Cover	Cast Iron	ASTM 126 Class B
CU-2	Arm Disc Bushing	Bronze	ASTM B62
CU-3	Arm	Cast Iron	ASTM 126 Class B
CU-4	Cover Stud & Nut	Zinc Coated Steel	ASTM A307 Grade B
CU-5	Body	Cast Iron	ASTM 126 Class B
CU-6	Seat Holder	Bronze	ASTM B62
CU-7	Plug (B)	Malleable Iron	ASTM 47
CU-8	Disc Seat Bolt	Stainless Steel	ASTM A276 Type 304
CU-9	Body Seat Ring	Bronze	ASTM B62
CU-10	Disc Seat Ring	Rubber	Buna D2000 BK707
CU-11	Disc	Cast Iron	ASTM 126 Class B
CU-12	Pin	Stainless Steel	ASTM 276 Type 304
CU-13	Washer	Brass	ASTM B21
CU-14	Disc Nut	Brass	ASTM B21
CU-15	Disc Stud	Brass	ASTM B21
CU-16	Cover Gasket	Rubber	Buna D2000 BK 707
CU-17	Plug	Brass	ASTM B21
CU-18	O-Ring	Rubber	Buna N D2000 BK 707
CU-19	Hinge Pin	Stainless Steel	ASTM 276 Type 304
CU-20	Body Bushing	Bronze	ASTM B62
CU-21	Spacer	Bronze	ASTM B62
CU-22	Arm Bushing	Bronze	ASTM B62
CU-23	Disc Seat Bearing	Bronze	ASTM B62



Rubber



Bronze



SWING CHECK VALVE WEIGHTS

	2-1/2"	3"	4"	6"	8"	10"	12"
lbs.	44	51	80	152	313	462	660
kg.	20.0	23.1	36.3	68.9	142.0	209.6	299.4

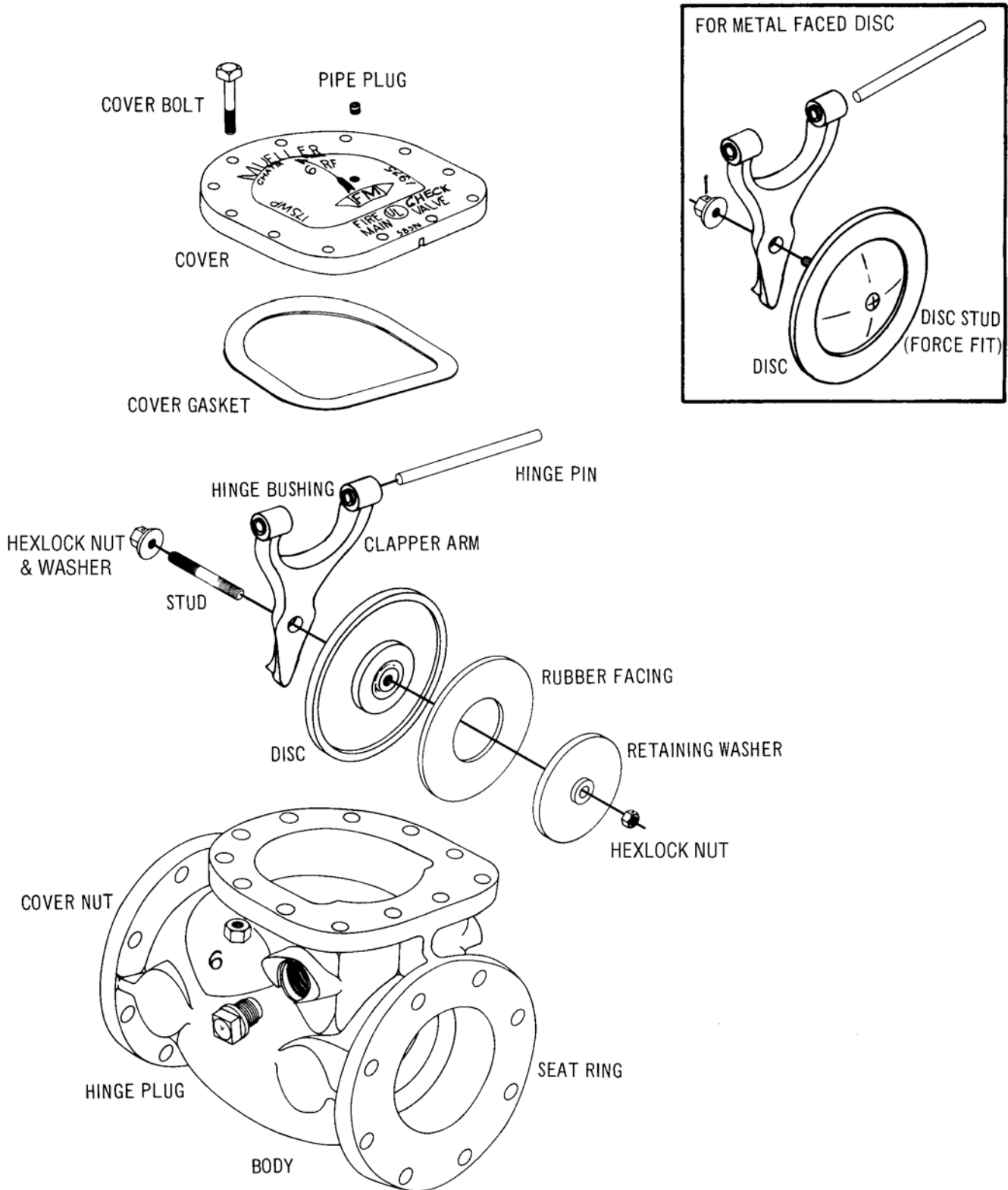
DIMENSIONAL INFORMATION FOR FLANGE END CHECK VALVES

Size	Dimension - inches (mm)													
	E		F		FF		G		R		UU		Q	
2-1/2 (65)	6.57 (167)	3.50 (89)	8.50 (216)	1.50 (38)	7.01 (178)	5.51 (140)	2.50 (65)	7.48 (190)	3.78 (96)	9.50 (241)	1.50 (38)	7.52 (191)	5.98 (152)	3.00 (80)
3 (80)	8.31 (211)	4.53 (115)	11.50 (292)	1.50 (38)	9.02 (229)	7.52 (191)	4.00 (100)	10.59 (269)	5.51 (140)	14.00 (356)	1.75 (44)	10.98 (279)	9.49 (241)	6.00 (150)
4 (100)	12.2 (310)	6.77 (172)	19.50 (495)	1.75 (44)	13.50 (343)	11.77 (299)	8.00 (200)	13.86 (352)	7.99 (203)	24.50 (622)	2.00 (53)	15.98 (406)	14.25 (362)	10.00 (250)
6 (150)	16.26 (413)	9.53 (242)	27.50 (698)	2.00 (54)	19.02 (483)	17.01 (432)	12.00 (300)							

CHECK VALVE ORDERING INFORMATION- Specify: Quantity, Size, and Catalog Number

CHECK VALVE PARTS ORDERING INFORMATION - Specify: Quantity, Catalog Number, Part Name, Size of Valve, Catalog Number of Valve, and Year Date of Valve

FIRE PROTECTION PRODUCTS



CHECK VALVE ORDERING INFORMATION- Specify: Quantity, Size, and Catalog Number

CHECK VALVE PARTS ORDERING INFORMATION - Specify: Quantity, Catalog Number, Part Name, Size of Valve, Catalog Number of Valve, and Year Date of Valve

**GROOVED END &
DETECTOR
CHECK VALVES**



UL / FM

FIRE PROTECTION PRODUCTS

GROOVED END CHECK VALVES ARE AVAILABLE THROUGH ANVIL® INTERNATIONAL, INC.

Anvil International Worldwide Customer Service Center

www.anvilintl.com • Tel: 708-885-3000 Fax: 708-534-5441

Northern Region

Regional Distribution & Customer Service Center

SERVICING: Illinois, Indiana, Iowa, Kentucky, Michigan, Minnesota, Nebraska, North and South Dakota, Ohio,
West Pennsylvania, West Virginia, Wisconsin
750 Central Avenue; University Park, IL 60484

Tel: 708-885-3000; Fax: 708-534-5441; Toll Free: 1-800-301-2701

Southern Region

Regional Distribution & Customer Service Center

SERVICING: Alabama, Arkansas, Kansas, Louisiana, Mississippi, Missouri, Oklahoma, Tennessee, Texas

1401 Valley View Lane, Suite 150; Irving, TX 75061

Tel: 972-871-1206; Fax: 972-641-8946; Toll Free: 1-800-451-4414

Eastern Region

Regional Distribution Center

SERVICING: Connecticut, Delaware, Florida, Georgia, Maine, Maryland, Massachusetts, New Hampshire,
New Jersey, New York, North and South Carolina, East Pennsylvania, Rhode Island, Vermont, Virginia
800 Malleable Road; Columbia, PA 17512

Western Region

Regional Distribution Center

SERVICING: Alaska, Arizona, California, Colorado, Hawaii, Idaho, Montana, Nevada, New Mexico, Oregon, Utah,
Washington, Wyoming

1385 Greg Street; Sparks, NV 89431

DETECTOR CHECK VALVES ARE AVAILABLE THROUGH MUELLER SYSTEMS

10210 Statesville Blvd., P.O. Box 128, Cleveland, NC 27013

Phone: (800) 323-8584, Fax: (704) 278-9616